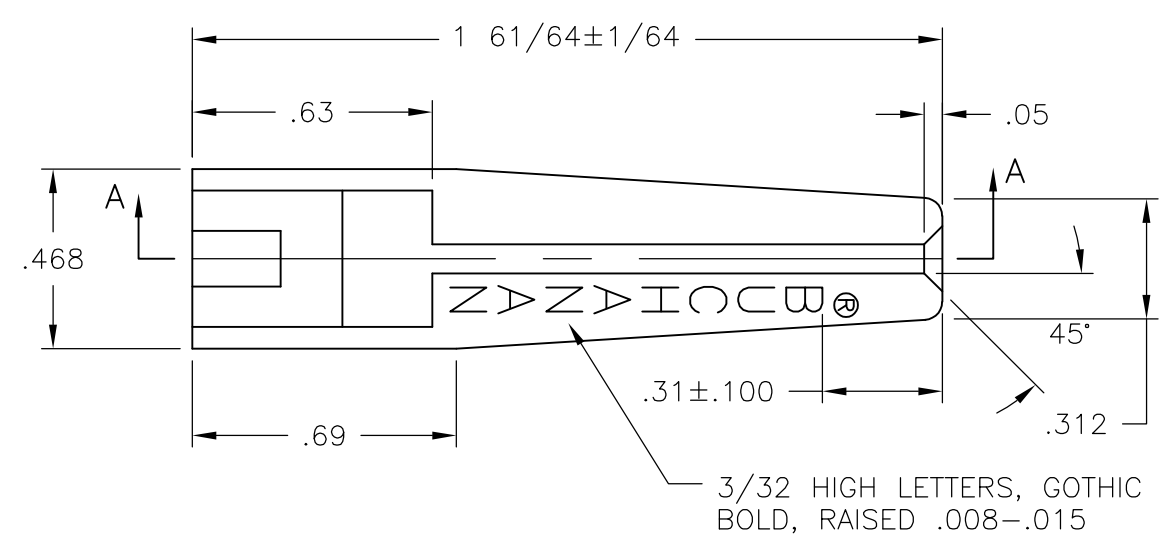
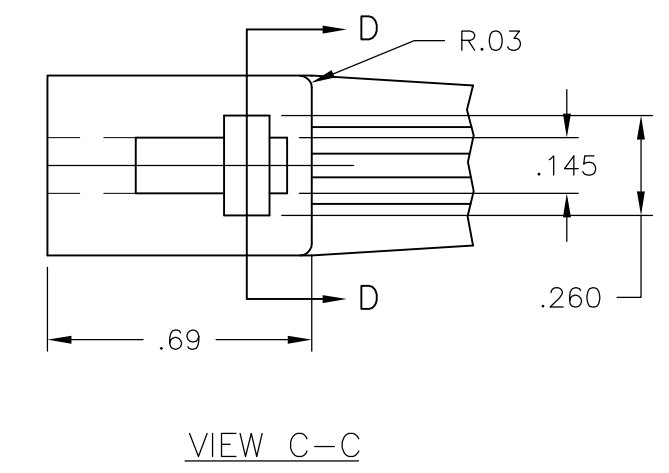
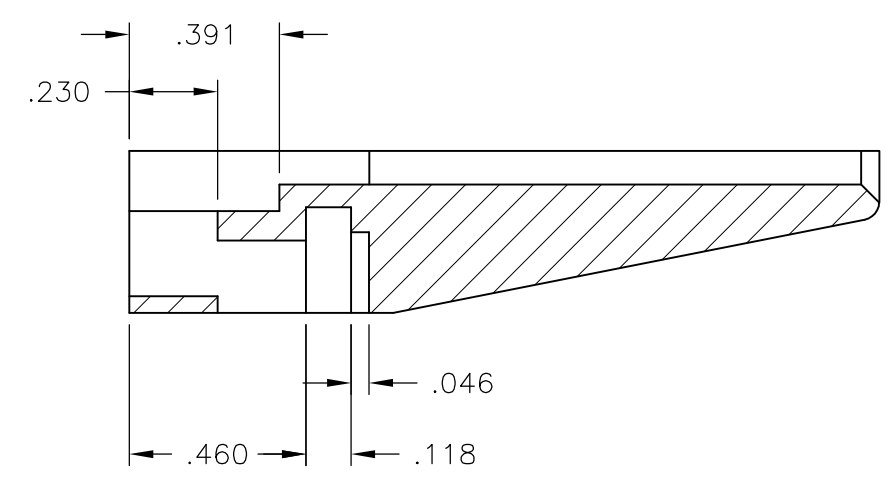
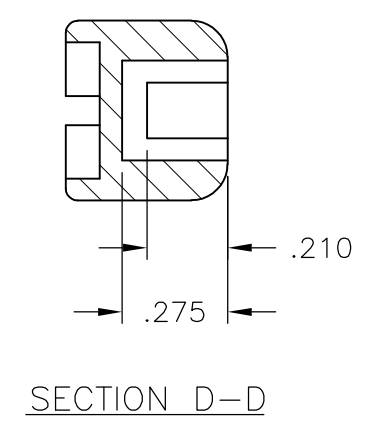
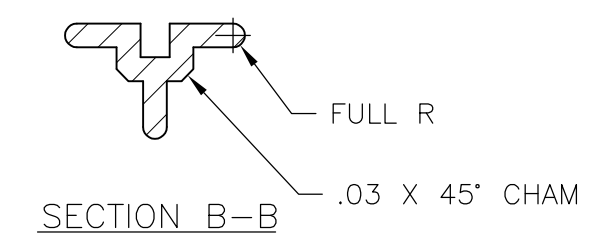
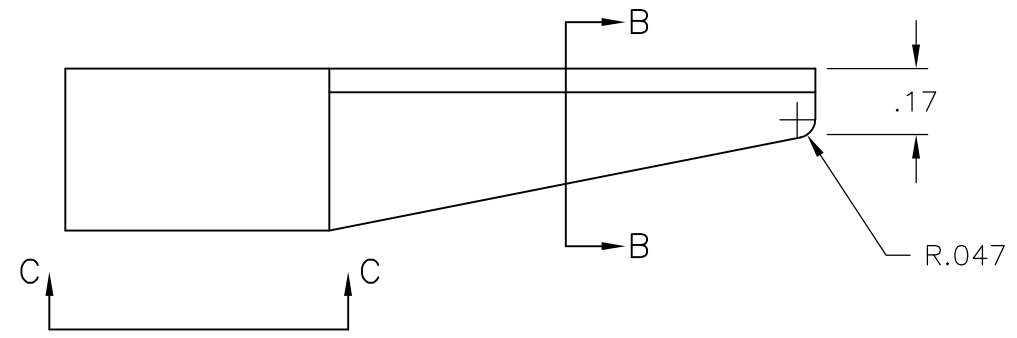
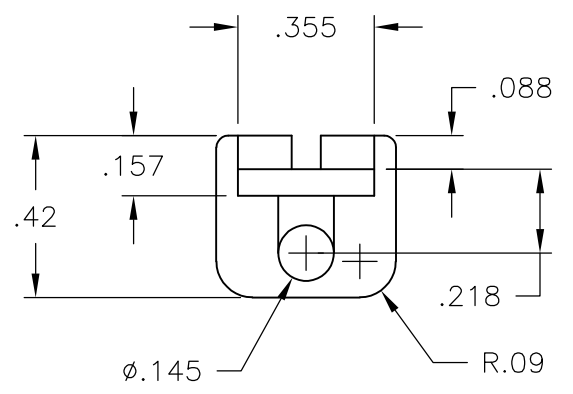
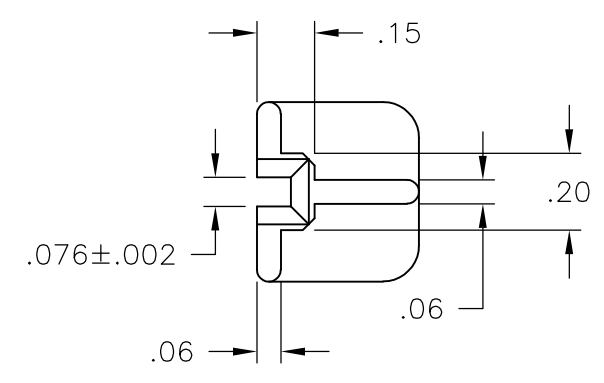


THIS DRAWING IS UNPUBLISHED. RELEASED FOR PUBLICATION
 © COPYRIGHT - By - ALL RIGHTS RESERVED.

LOC	DIST	REVISIONS					
FT	0	P	LTR	DESCRIPTION	DATE	DWN	APVD
			B	REVISED PER ECO-12-005572	26MAR12	KH	MS



1 NYLON 6/6, COLOR: BLACK.



SECTION A-A

PC18	6-1437418-2
CATALOG NO.	PART NUMBER

THIS DRAWING IS A CONTROLLED DOCUMENT.		DWN	KIRAN, HOLAL	04OCT11	 TE Connectivity ADD-ON CARD GUIDE FOR PCB26
DIMENSIONS: INCHES		CHK	SARVER, MICHAEL	04OCT11	
TOLERANCES UNLESS OTHERWISE SPECIFIED:		APVD	SARVER, MICHAEL	04OCT11	
0 PLC ± - 1 PLC ± - 2 PLC ± .015 3 PLC ± .005 4 PLC ± - ANGLES ± 1°		NAME			
MATERIAL		FINISH			PRODUCT SPEC APPLICATION SPEC SIZE CAGE CODE DRAWING NO RESTRICTED TO
1		-			A3 00779 C-6-1437418-2 CUSTOMER DRAWING SCALE 2:1 SHEET 1 OF 1 REV B