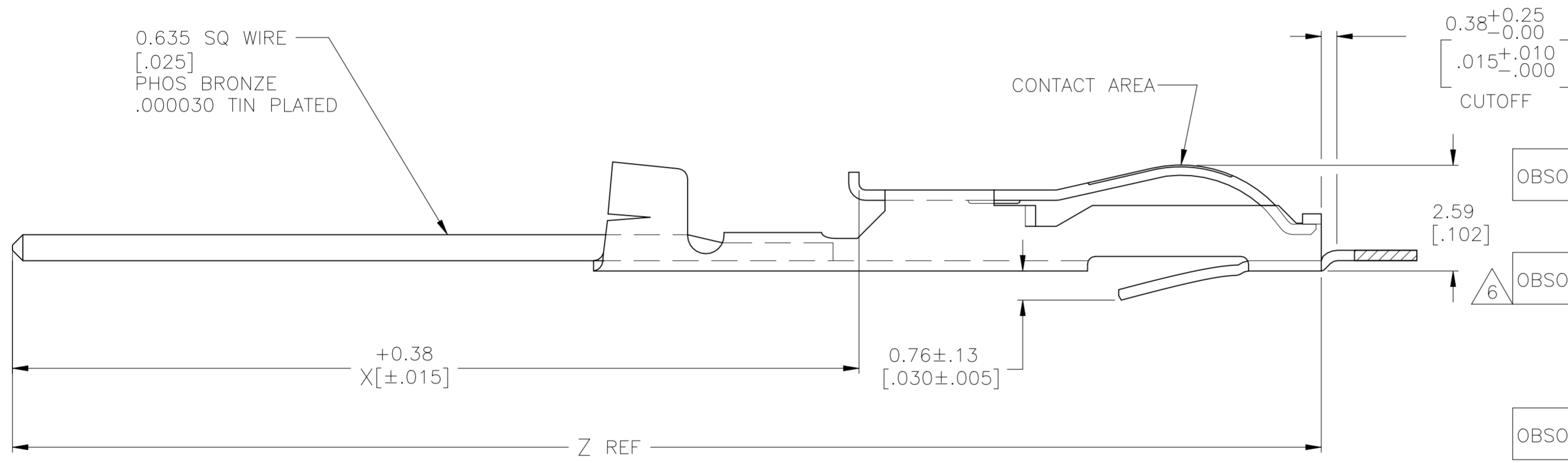
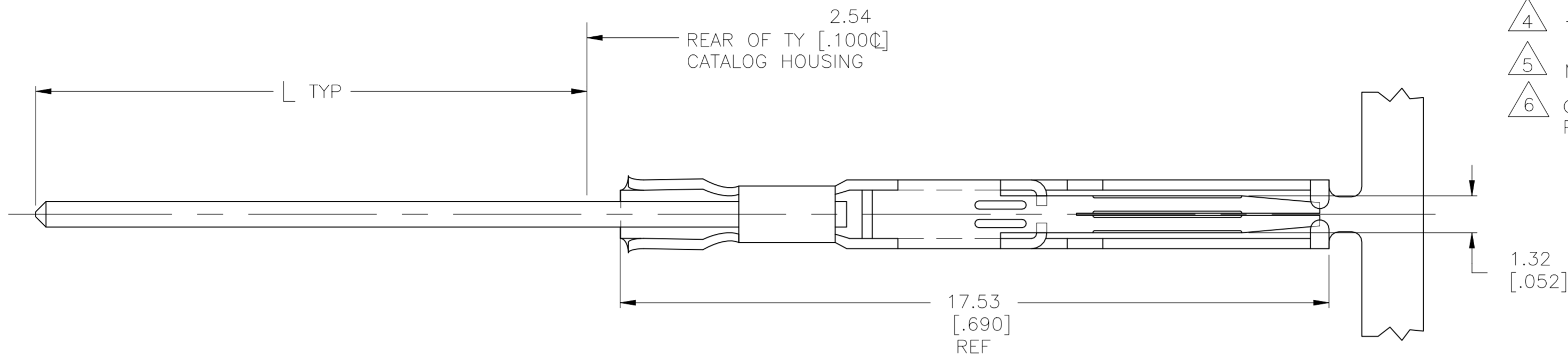


REVISIONS					
P	LTR	DESCRIPTION	DATE	DWN	APVD
M2		REVISED PER ECN-23-236737	26OCT2023	RK	MF

- 1 .000015 GOLD OVER .000030 NICKEL IN CONTACT AREA, REMAINDER OF CONTACT IS NICKEL PLATED.
- 2 .000050 GOLD OVER .000030 NICKEL IN CONTACT AREA, REMAINDER OF CONTACT IS NICKEL PLATED.
- 3 OBSOLETE
- 4 TIN-LEAD PLATED
- 5 MATTE TIN PLATED
- 6 OBSOLETE PARTS: OBSOLETE CIS STREAMLINING PER D.RENAUD/D.SINISI



1	17.78 [.700]	24.87 [.969]	36.17 [1.424]	5-583879-9
1	9.02 [.355]	16.13 [.635]	27.43 [1.080]	5-583879-8
1	13.59 [.535]	20.32 [.800]	31.62 [1.245]	5-583879-6
OBSOLETE	13.59 [.535]	20.32 [.800]	31.62 [1.245]	5-583879-4
1	4.32 [.170]	11.46 [.451]	22.76 [.896]	5-583879-2
OBSOLETE	4.32 [.170]	11.46 [.451]	22.76 [.896]	5-583879-1
1	17.78 [.700]	24.87 [.979]	36.17 [1.424]	583879-9
1	9.02 [.355]	16.13 [.635]	27.43 [1.080]	583879-8
OBSOLETE	13.59 [.535]	20.32 [.800]	31.62 [1.245]	3-4-583879-7
1	13.59 [.535]	20.32 [.800]	31.62 [1.245]	583879-6
1	13.59 [.535]	20.32 [.800]	31.62 [1.245]	583879-4
1	4.32 [.170]	11.46 [.451]	22.76 [.896]	583879-2
1	4.32 [.170]	11.46 [.451]	22.76 [.896]	583879-1
FINISH	L	X	Z	PART NUMBER

THIS DRAWING IS A CONTROLLED DOCUMENT.

DWN 02AUG93
A. STAUB BG

CHK 07MAR94
H ROSE

APVD 07MAR94
H ROSE

PRODUCT SPEC

APPLICATION SPEC

WEIGHT -

RESTRICTED CUSTOMER

TE Connectivity

CONTACT, CRIMP TWIN LEAF,
WITH .025 SQ POST

SIZE A2 CAGE CODE 00779 DRAWING NO C=583879 RESTRICTED TO -

SCALE 10:1 SHEET 1 OF 1 REV M2