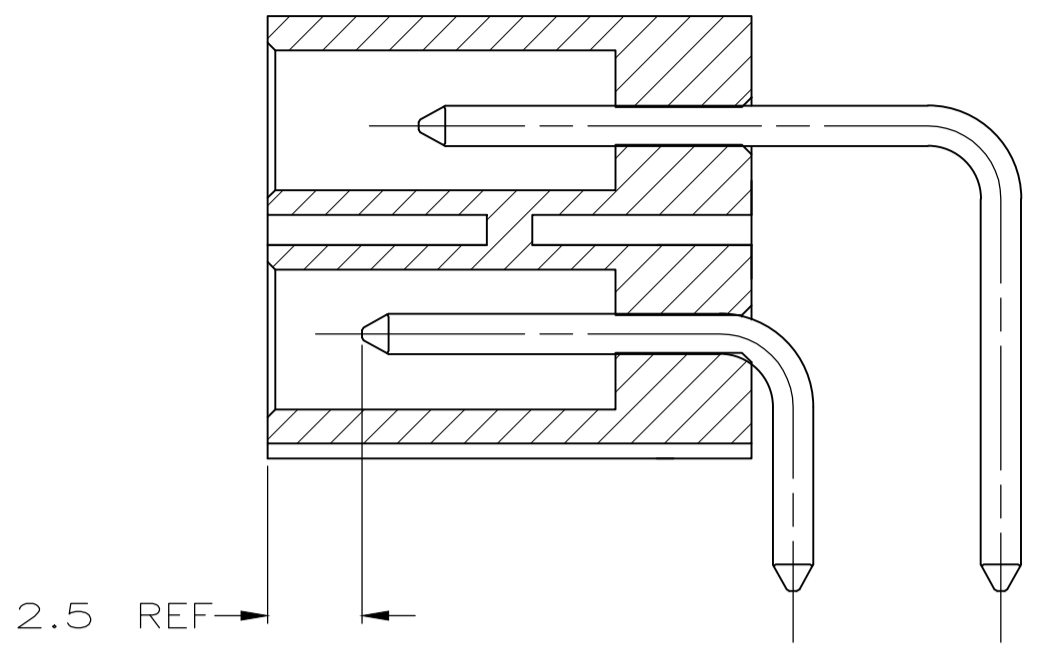
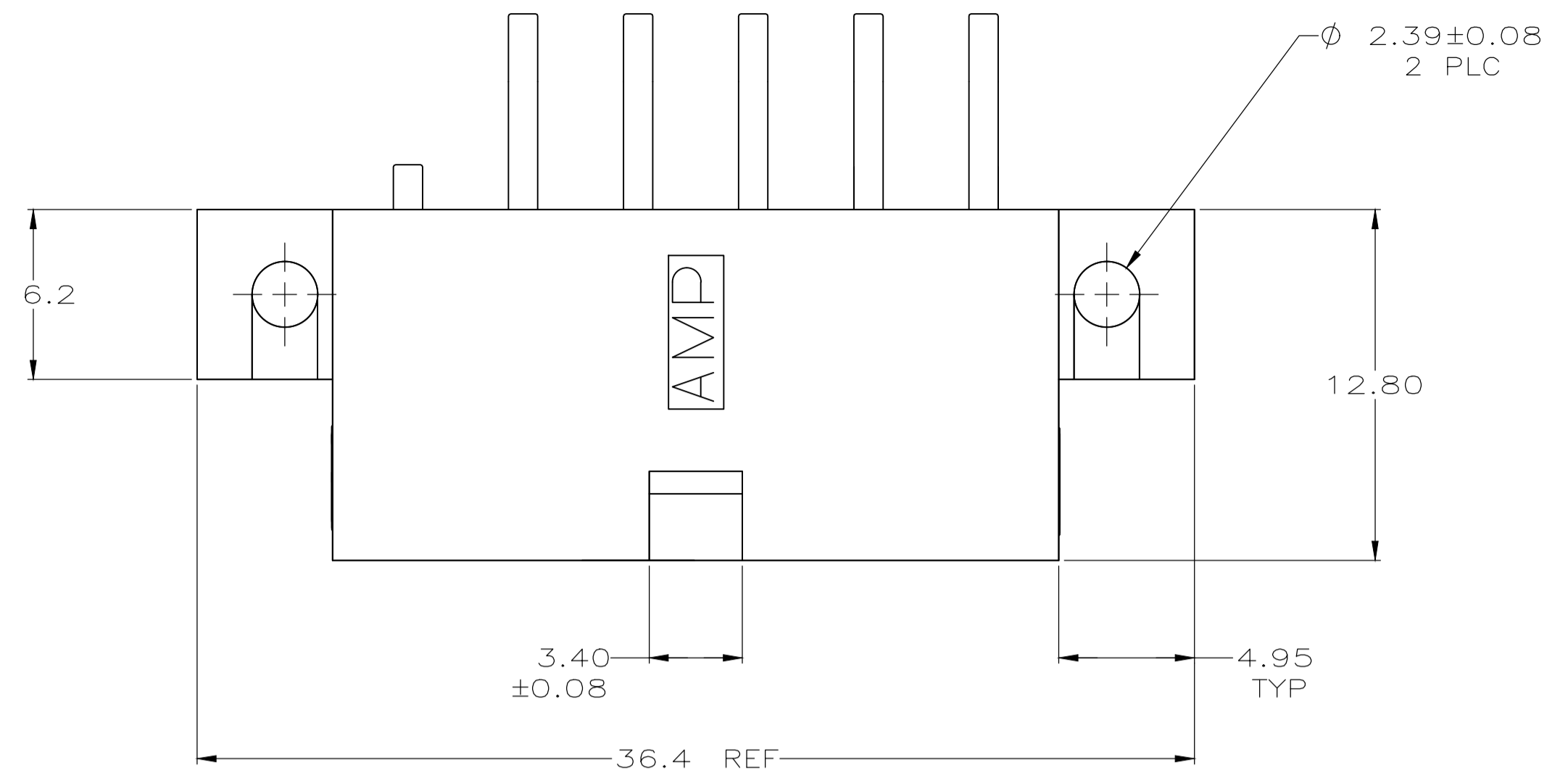
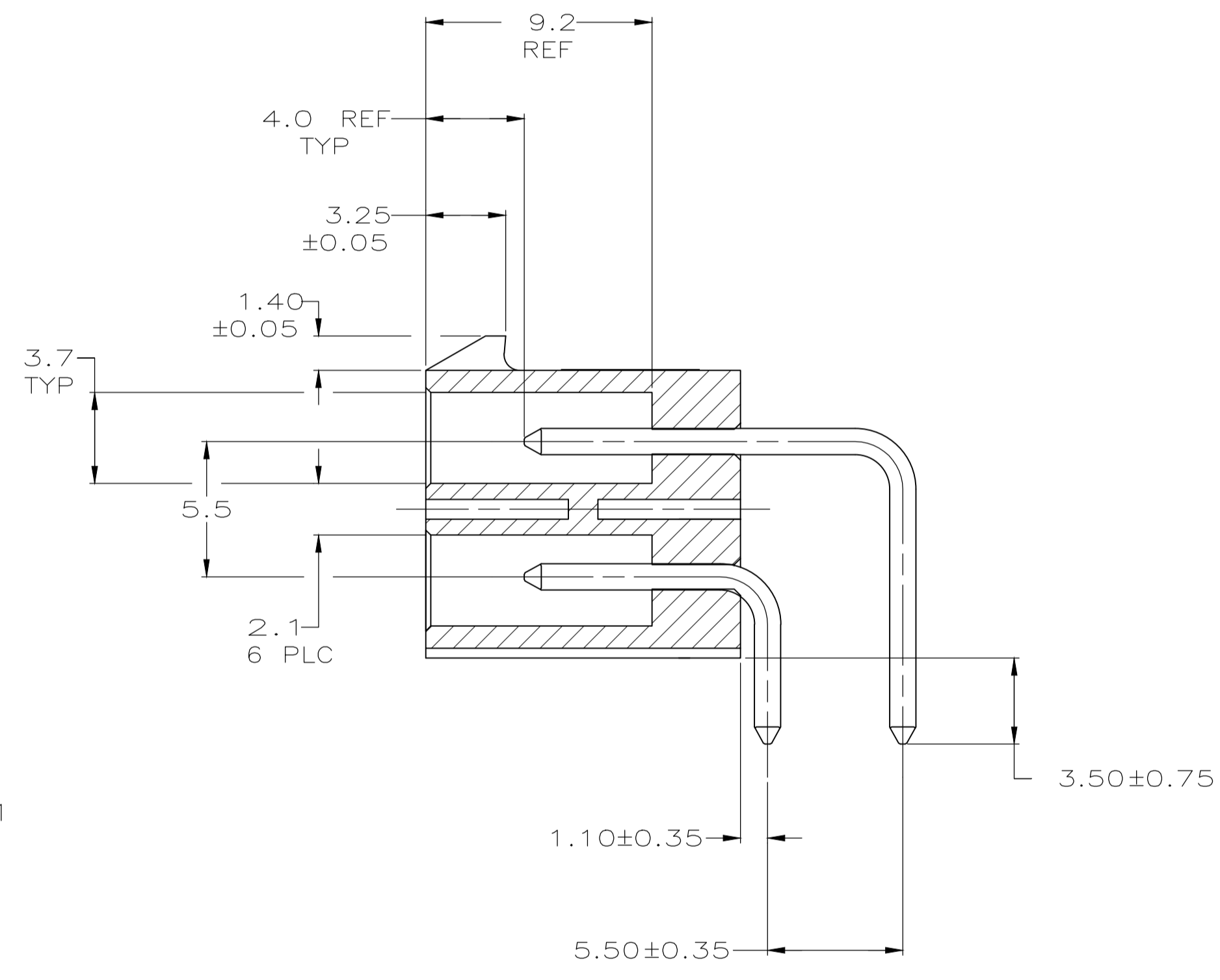
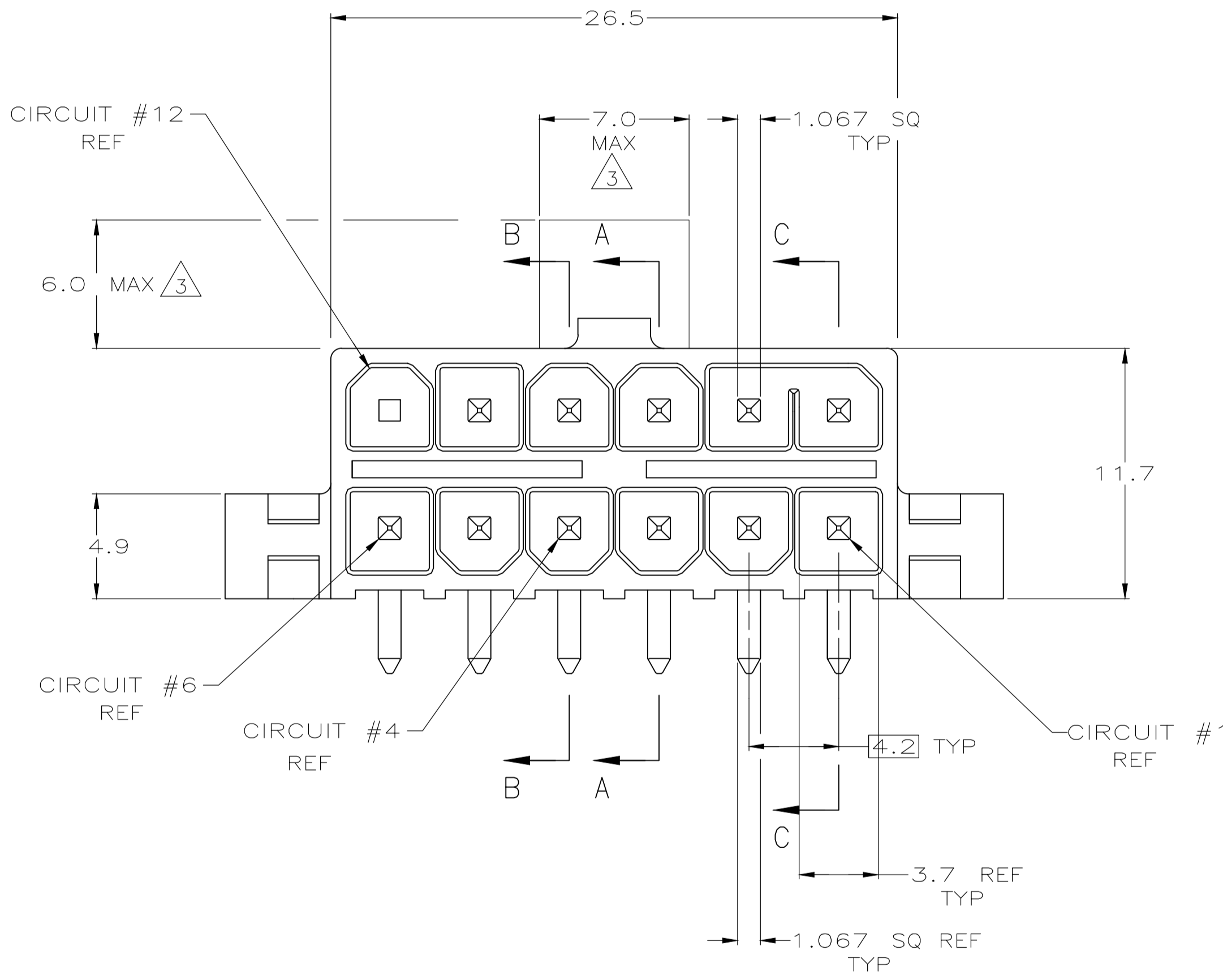


REVISIONS				
P	LTR	DESCRIPTION	DATE	APPD
A5	EOL		18JUL2020	ML SZ

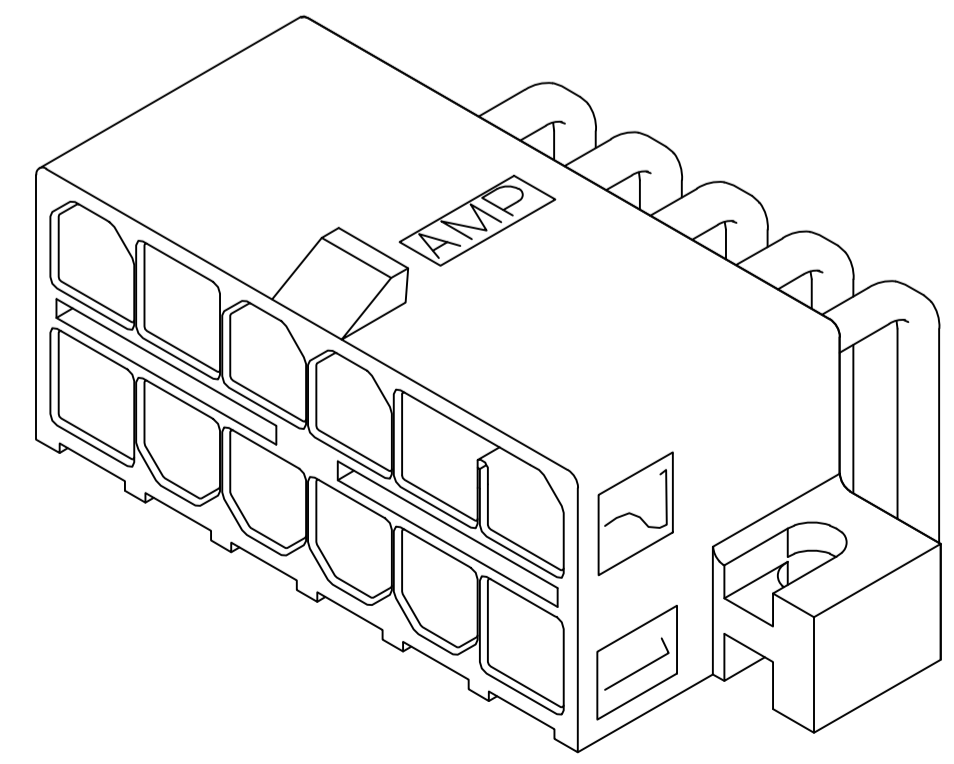
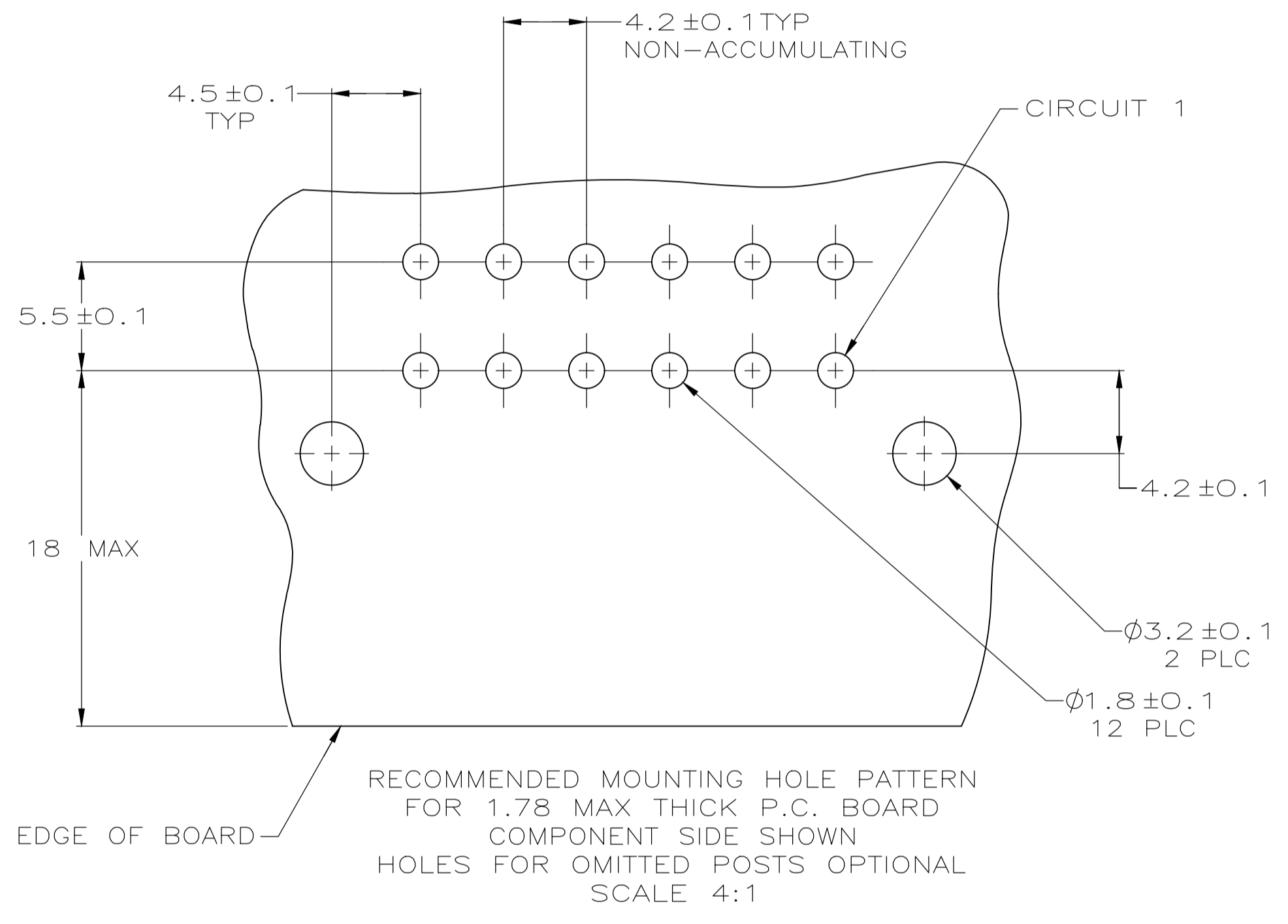


SECTION B-B

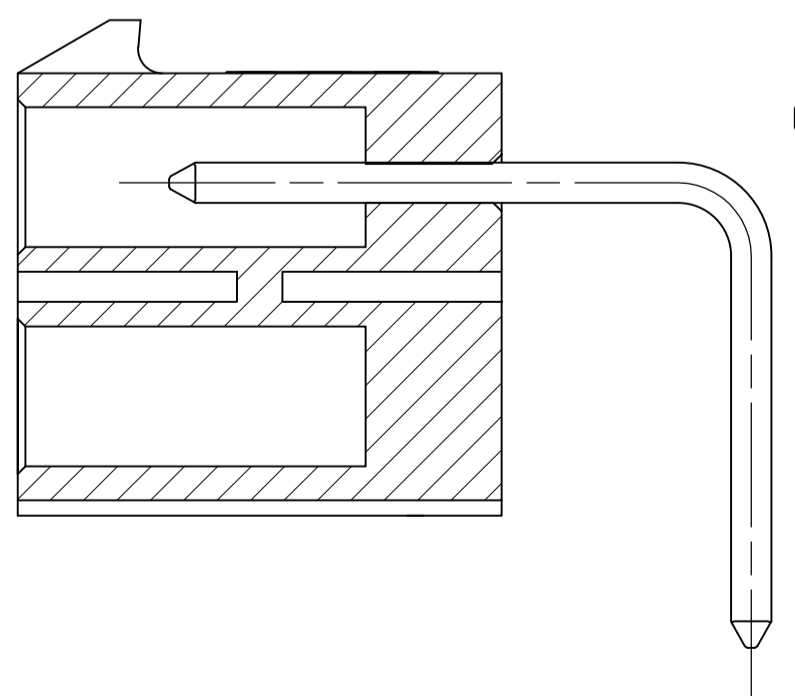
- 1 CONTACT: 0.00076 GOLD AT INTERFACE. 0.00254 MIN MATTE TIN ON SOLDER TAIL. 0.00127 MIN NICKEL UNDERPLATE ALL OVER.
- 2 MATES WITH AMP-DUAC/PL PLUG RECEPTACLE 794156 AND ITS CONTACTS.
- 3 CLEARANCE ENVELOPE FOR MATING PLUG RECEPTACLE LATCH.
- 5 ALL POSTS STANDARD.
- 6 CONTACT GROUND POST LOCATED IN CIRCUIT 4.
- 7 POST 10 OMITTED.
- 8 POST 12 OMITTED.
- 9 POST 2,5,7,12 OMITTED.
- 10 POST 5 OMITTED.
- 11 CONTACT GROUND POST LOCATED IN CIRCUITS 3 AND 4.
- 12 POSITIONS 1 AND 12 MOLDED SHUT.
- 13 POSITIONS 5, 10 AND 12 OMITTED.
- 14 GROUND POSTS IN LOCATIONS:1,2,5,6,7,8,11,12



SECTION A-A

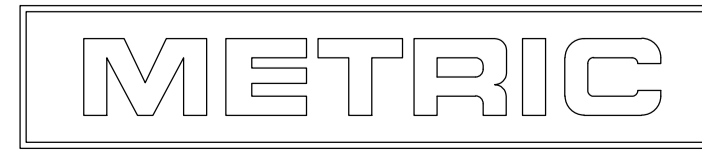


3-DIMENSIONAL MODEL NTS



SECTION C-C APPLIES TO -8 ONLY

OBSOLETE



5794176-5 SHOWN

	PIN	FINISH	MATERIAL	HOUSING	COLOR	PART NUMBER
14	BRASS	1	PBT, UL94V-0	NATURAL(WHITE)		5794176-9
6/3	BRASS	1	PBT, UL94V-0	NATURAL(WHITE)		5794176-8
6/0	BRASS	1	PBT, UL94V-0	NATURAL(WHITE)		5794176-7
9/1	BRASS	1	PBT, UL94V-0	NATURAL(WHITE)		5794176-6
6/8	BRASS	1	PBT, UL94V-0	NATURAL(WHITE)		5794176-5
6/7	BRASS	1	PBT, UL94V-0	NATURAL(WHITE)		5794176-4
6	BRASS	1	PBT, UL94V-0	NATURAL(WHITE)		5794176-3
5	BRASS	1	PBT, UL94V-0	NATURAL(WHITE)		5794176-2

DIMENSIONS:		TOLERANCES UNLESS OTHERWISE SPECIFIED:	
mm			
0 PLC	±	-	
1 PLC	±	0.2	
2 PLC	±	0.13	
3 PLC	±	0.13	
4 PLC	±	0.13	
ANGLES	±	0° 30'	

MATERIAL	FINISH	WEIGHT	SIZE	CAGE CODE	DRAWING NO	RESTRICTED TO
SEE TABLE	SEE TABLE	0	A1	00779	5794176	-

CUSTOMER DRAWING SCALE 5:1 SHEET 1 OF 1 REV A5