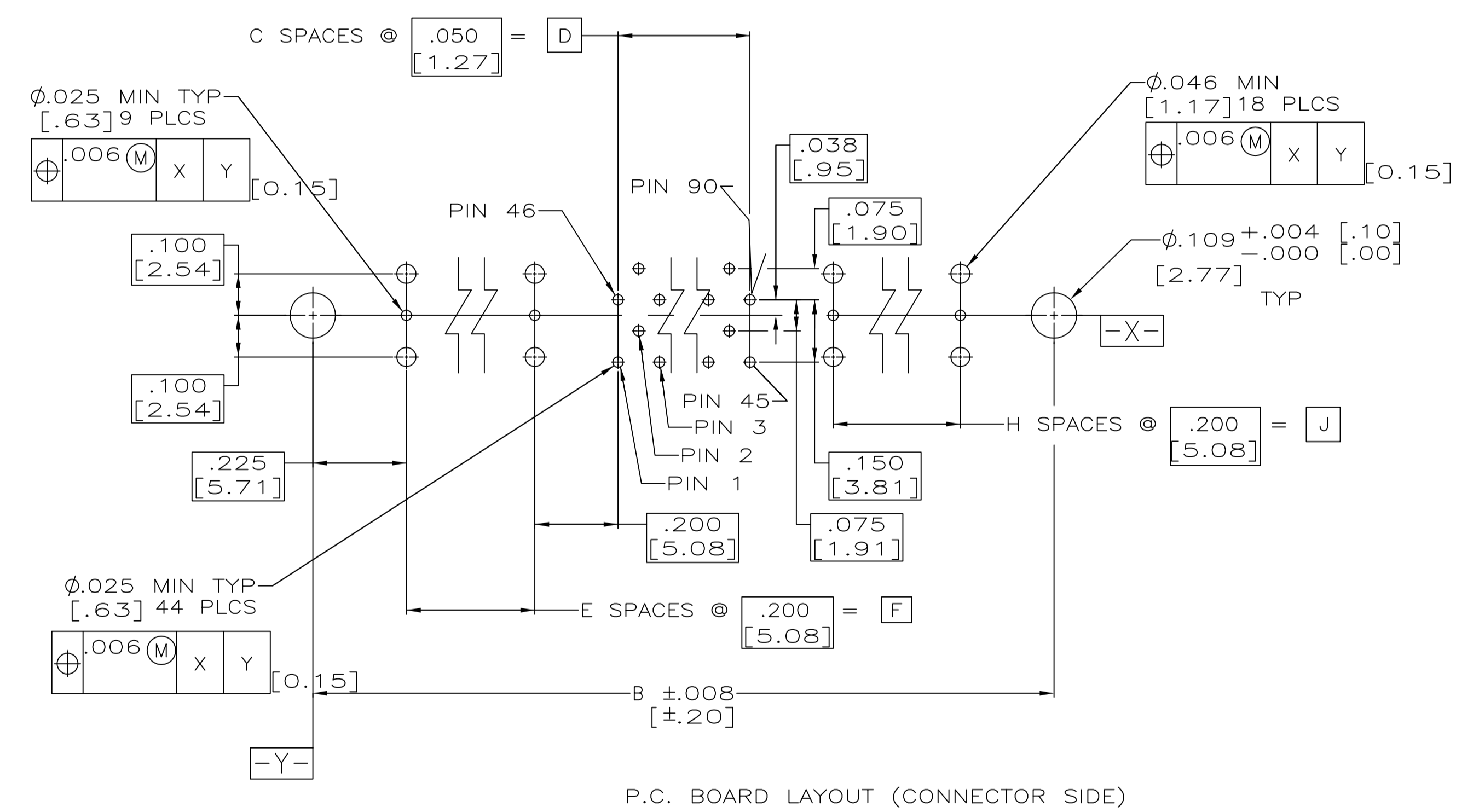
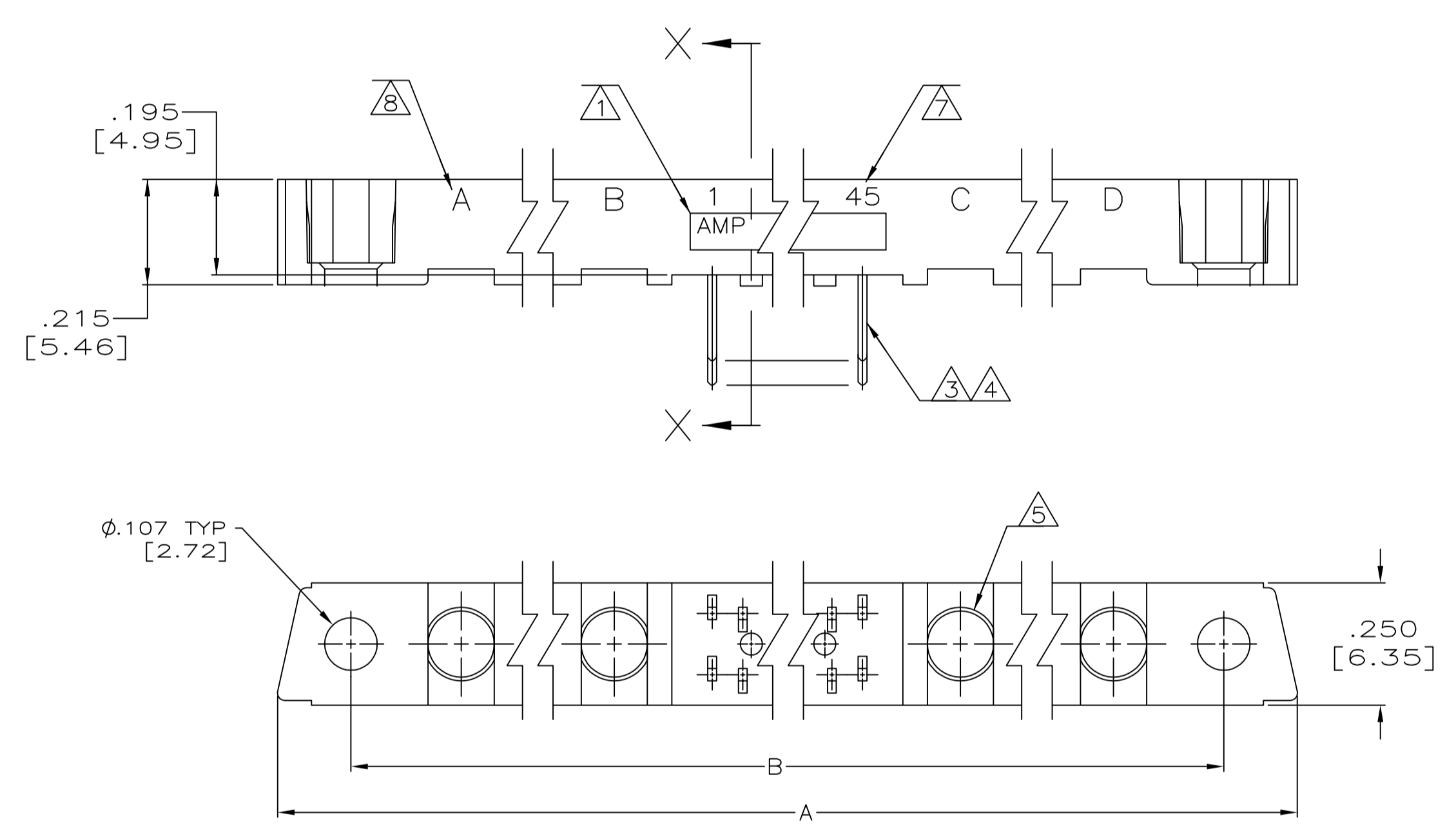
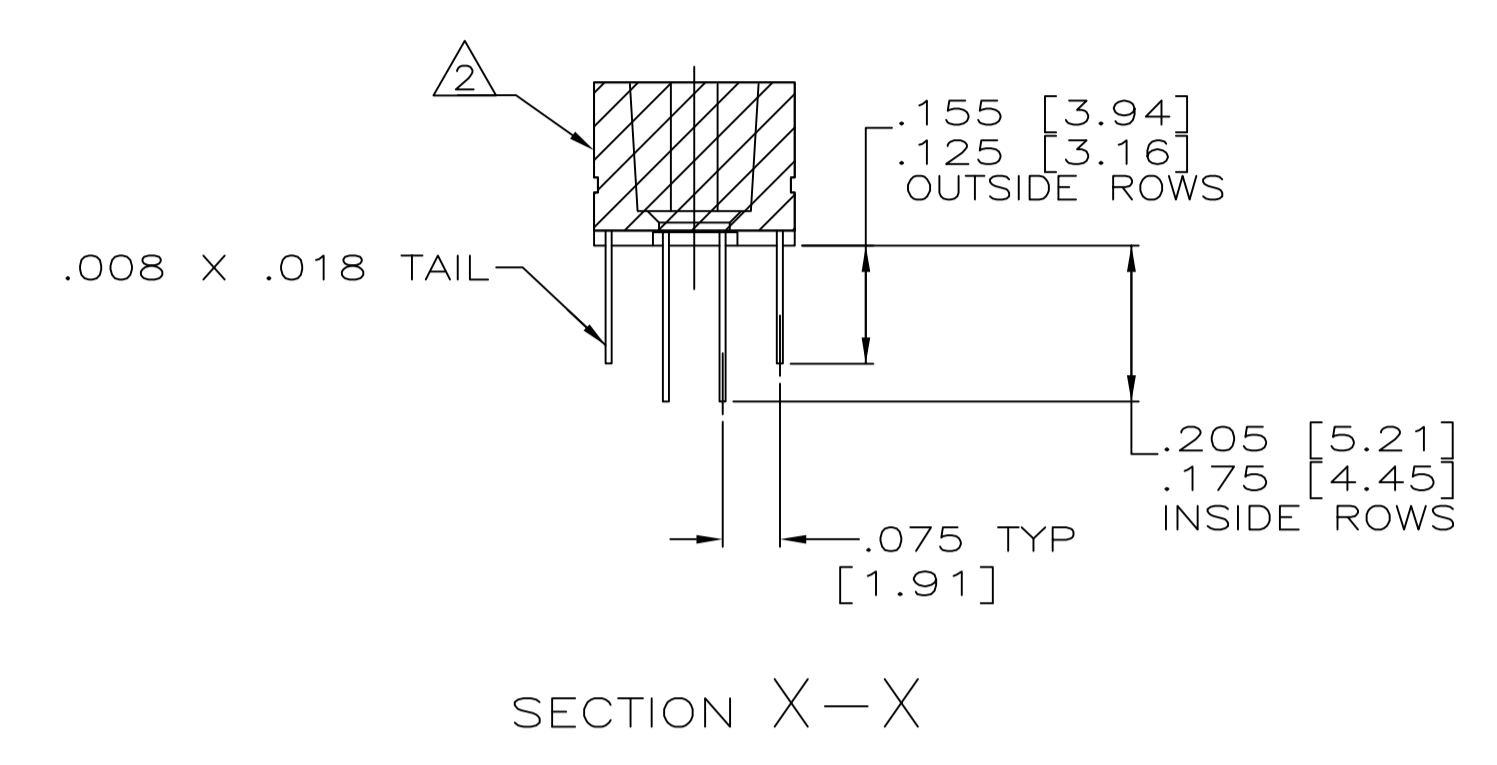
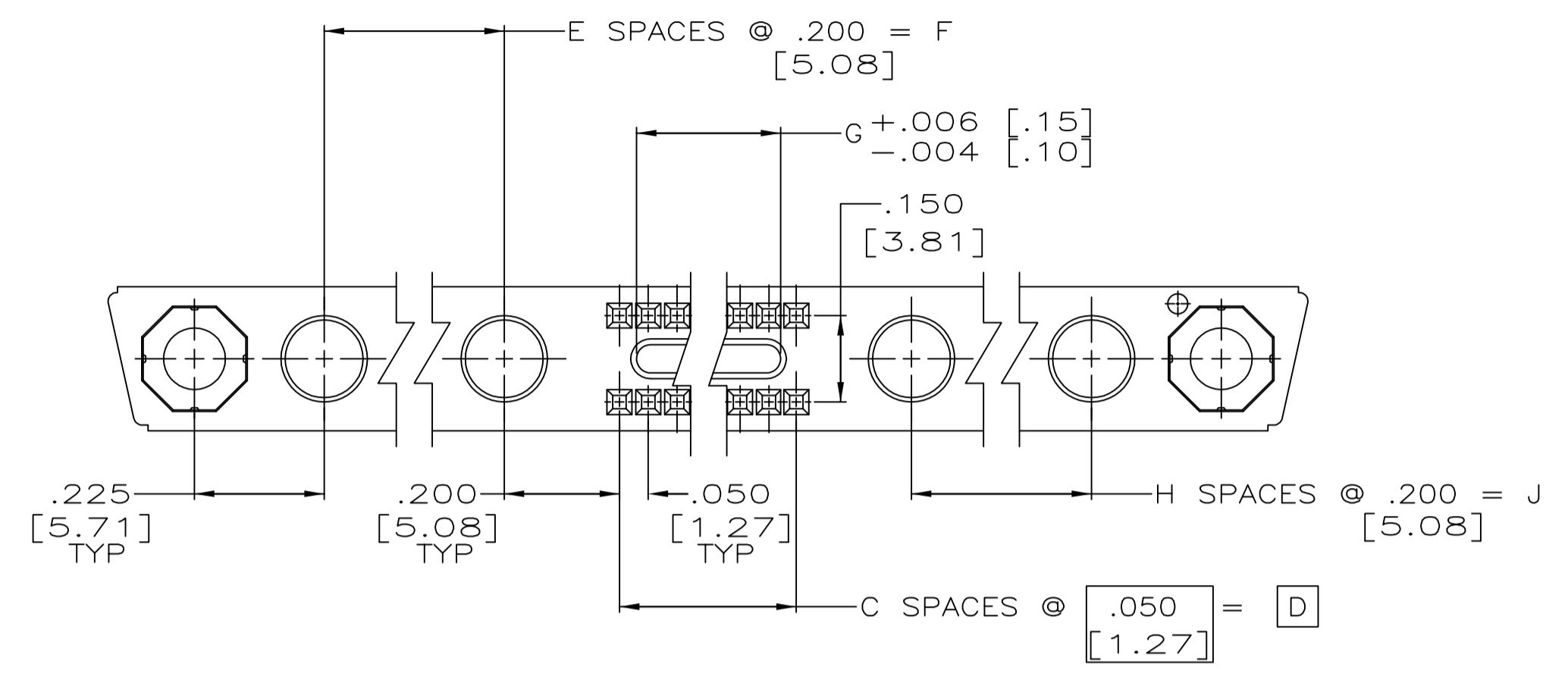


REVISIONS				
P	LTR	DESCRIPTION	DATE	OWN APVD
H		REVISED PER ECO-16-017894	27APR2017	PHM CT



- ① AMP, AMP PART NO. AND DATE CODE MARKED IN THIS APPROXIMATE AREA.
- ② HOUSING MATERIAL: LIQUID CRYSTAL POLYMER PER MIL-M-24519, GLCP-30F; COLOR: GRAY.
- ③ CONTACT: MATERIAL = PHOS BRONZE
- ④ PLATED .000030 GOLD IN THE CONTACT AREA, .000100 MIN TIN LEAD ON THE TAILS, ALL OVER .000050 NICKEL UNDER PLATE.
- ⑤ WILL ACCEPT MICRO-MINATURE COAX CONTACTS PER AMP DATA SHEET 80-600, PC BOARD MOUNTED CONTACTS MUST BE MATED BEFORE SOLDERING, INSERT CONTACTS FROM THIS SIDE UP.
- 6. GROUP "A" INSPECTION PER MIL-C-55302 PERFORMED.
- ① NUMBERS INDICATING END POSITIONS MARKED THIS SIDE ONLY.
- ② COAX POSITIONS (A,B,C,D) MARKED THIS SIDE ONLY.

.200 [5.08]	1	2.050 [52.07]	.200 [5.08]	1	2.200 [55.88]	44	3.450 [87.63]	3.740 [95.00]	4	90	532797-1
J	H	G	F	E	D	C	B	A	NUMBER OF COAX POS.	NUMBER OF BOX POS.	PART NUMBER
THIS DRAWING IS A CONTROLLED DOCUMENT.											
DWN T. ALEXANDER 12-3-91											
D. GUTTER 2-6-92											
APVD D. GUTTER 2-6-92											
NAME RECEPTACLE ASSEMBLY, MINI-BOX											
PRODUCT SPEC W/4 COAX PORTS, AND LOW FORCE CONTACTS											
APPLICATION SPEC											
SIZE CAGE CODE DRAWING NO RESTRICTED TO											
A1 00779 C=532797											
WEIGHT											
CUSTOMER DRAWING											
SCALE 4:1 SHEET 1 OF 1 REV H											