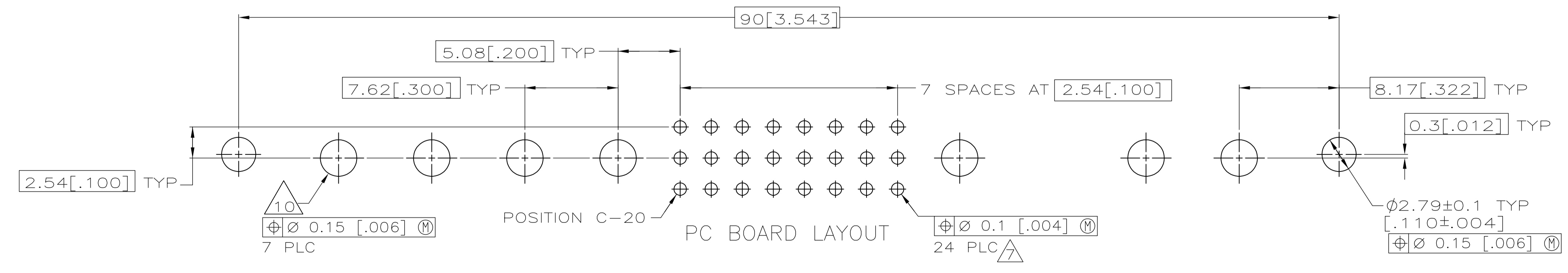
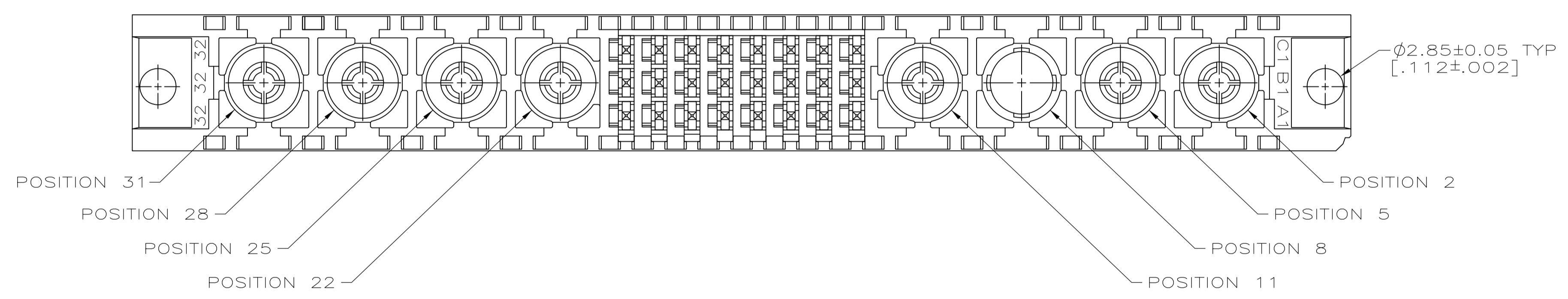
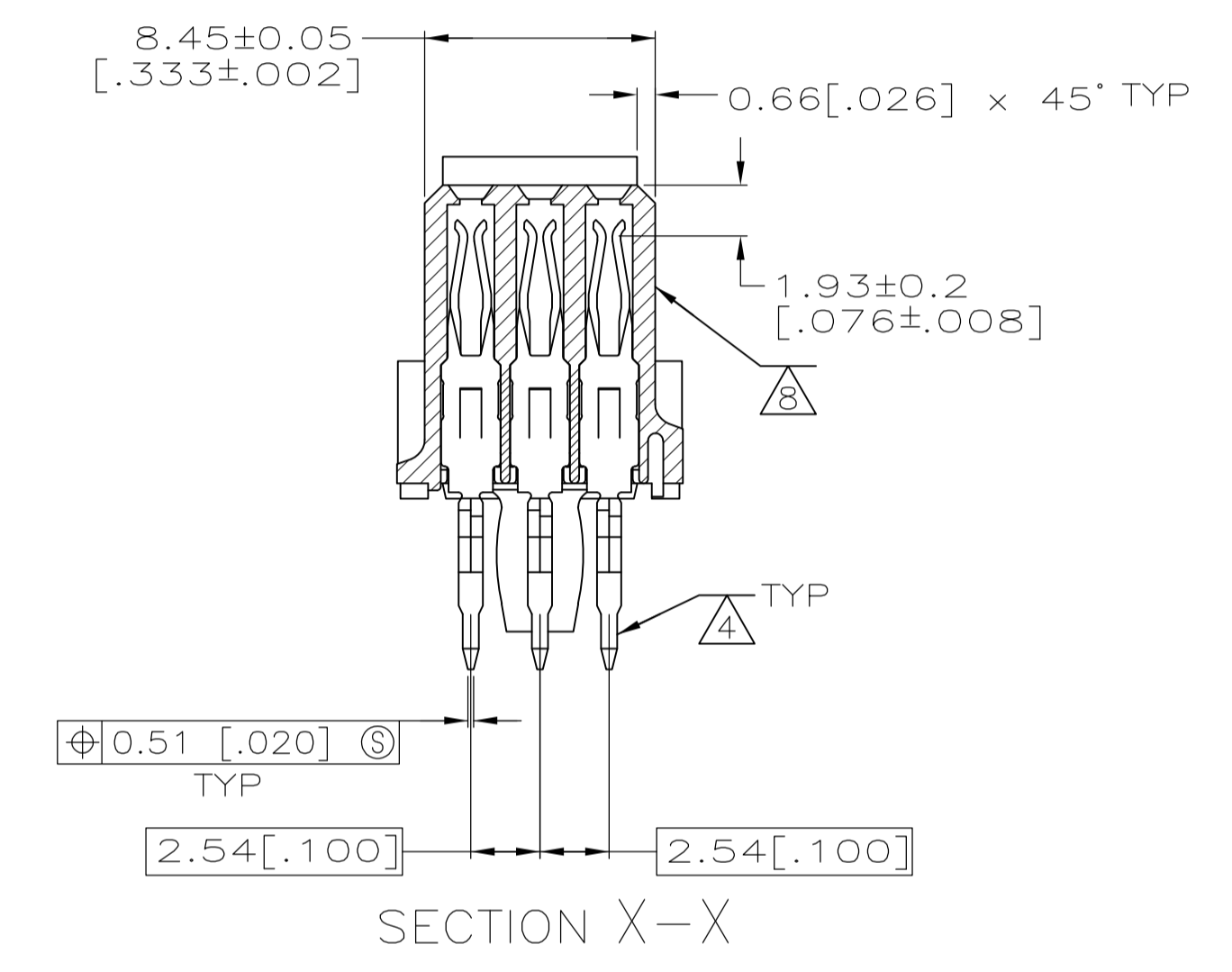
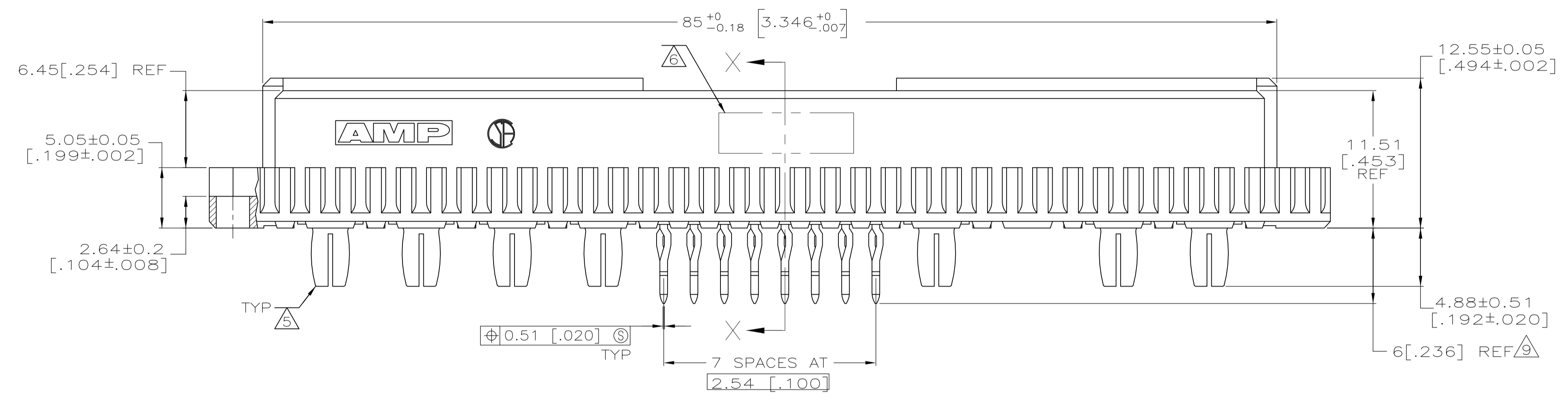
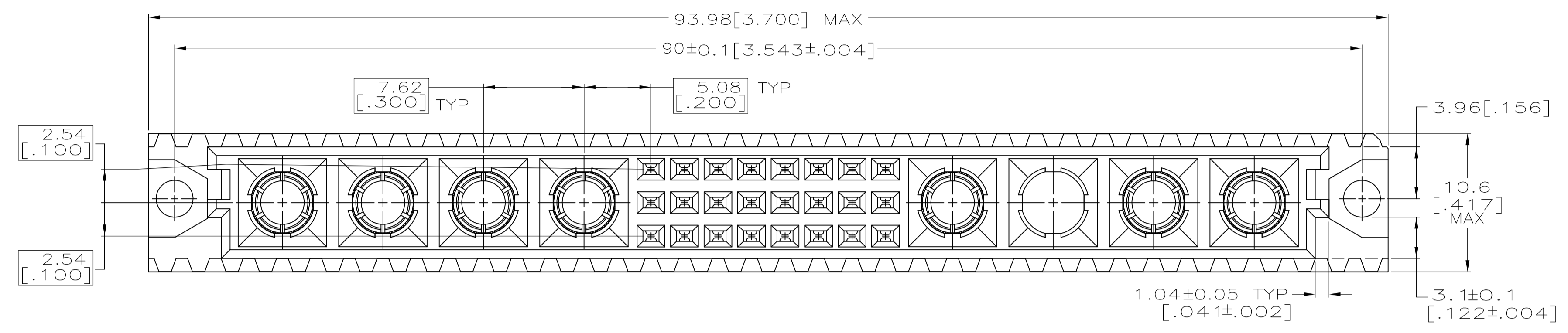


- 1 HOUSING MATERIAL: GLASS-FILLED POLYMER.
- 2 CONTACT MATERIAL: COPPER ALLOY.
- 3 POWER CONTACT MATERIAL: COPPER ALLOY.
- 4 SIGNAL CONTACT FINISH: DIN 41612 CLASS 2 IN CONTACT AREA. TIN PLATE ON POSTS.
- 5 POWER CONTACT FINISH: DIN 41612 CLASS 2 ALL OVER.
- 6 PART NUMBER AND DATE CODE IN THIS APPROXIMATE AREA.
- 7 ACTION PIN POSTS REQUIRE 2.36[.093] MINIMUM THICK PC BOARD, RECOMMENDED PC BOARD DRILLED HOLES ARE $\phi 1.15 \pm 0.025$ [.0453 \pm .0010] WITH 0.02-0.08 [.001-.003] COPPER AND 0.008 [.0003] MINIMUM TIN-LEAD PLATING. FINISHED HOLE AFTER PLATING IS $\phi 1.02 \pm 0.08$ [.040 \pm .003].
- 8 MARKING ON THIS SIDE.
- 9 TAIL LENGTH AFTER SEATING IN PC BOARD.
- 10 POWER CONTACTS REQUIRE $\phi 3.13 \pm 0.08$ [.123 \pm .003] DRILLED HOLE WITH 0.05 ± 0.25 [.002 \pm .001] THICK COPPER AND 0.13 [.005] MINIMUM TIN PLATING. FINISHED HOLE SIZE IS $\phi 3.0 \pm 0.08$ [.118 \pm .003].



5148497-5
PART NUMBER

THIS DRAWING IS A CONTROLLED DOCUMENT.		DIN J. POLIGNONE 14APR05	TE Connectivity
DIMENSIONS: mm [INCHES]		CHK A. SHARPE 14APR05	
TOLERANCES UNLESS OTHERWISE SPECIFIED:		APVD A. SHARPE 14APR05	NAME ASSEMBLY, RECEPTACLE, TYPE M, EUROCARD, 24+7/8, PRESS-FIT, 6.00[.236]/4.88[.192] WITH POWER CONTACTS
0 PLC ± -	1 PLC ± -	APPLICATION SPEC	SIZE A1
2 PLC ± 0.13[.005]	3 PLC ± -	WEIGHT -	CAGE CODE DRAWING NO. 00779 C=5148497
4 PLC ± -	ANGLES ± -	CUSTOMER DRAWING	SCALE 4:1 SHEET 1 OF 1 REV A