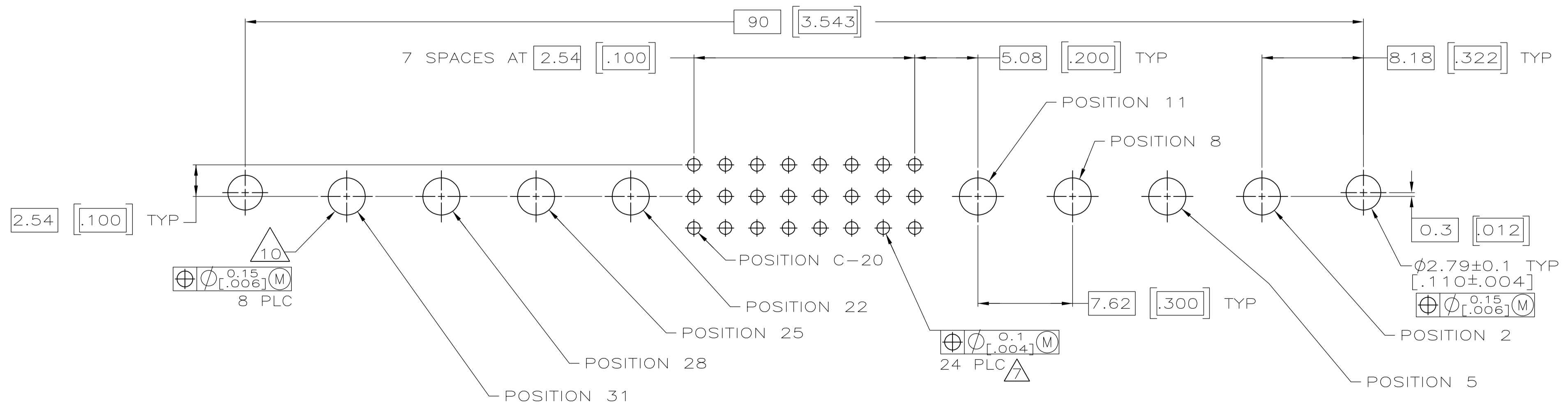
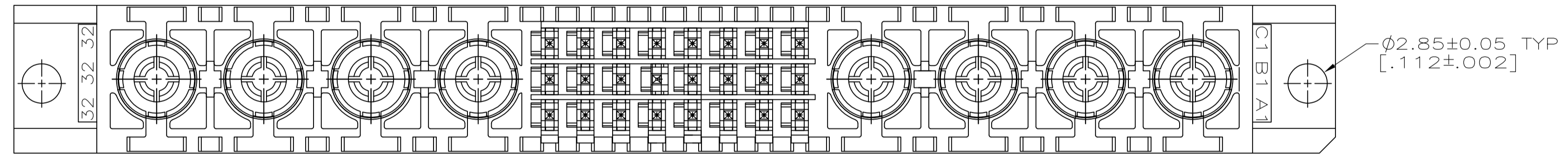
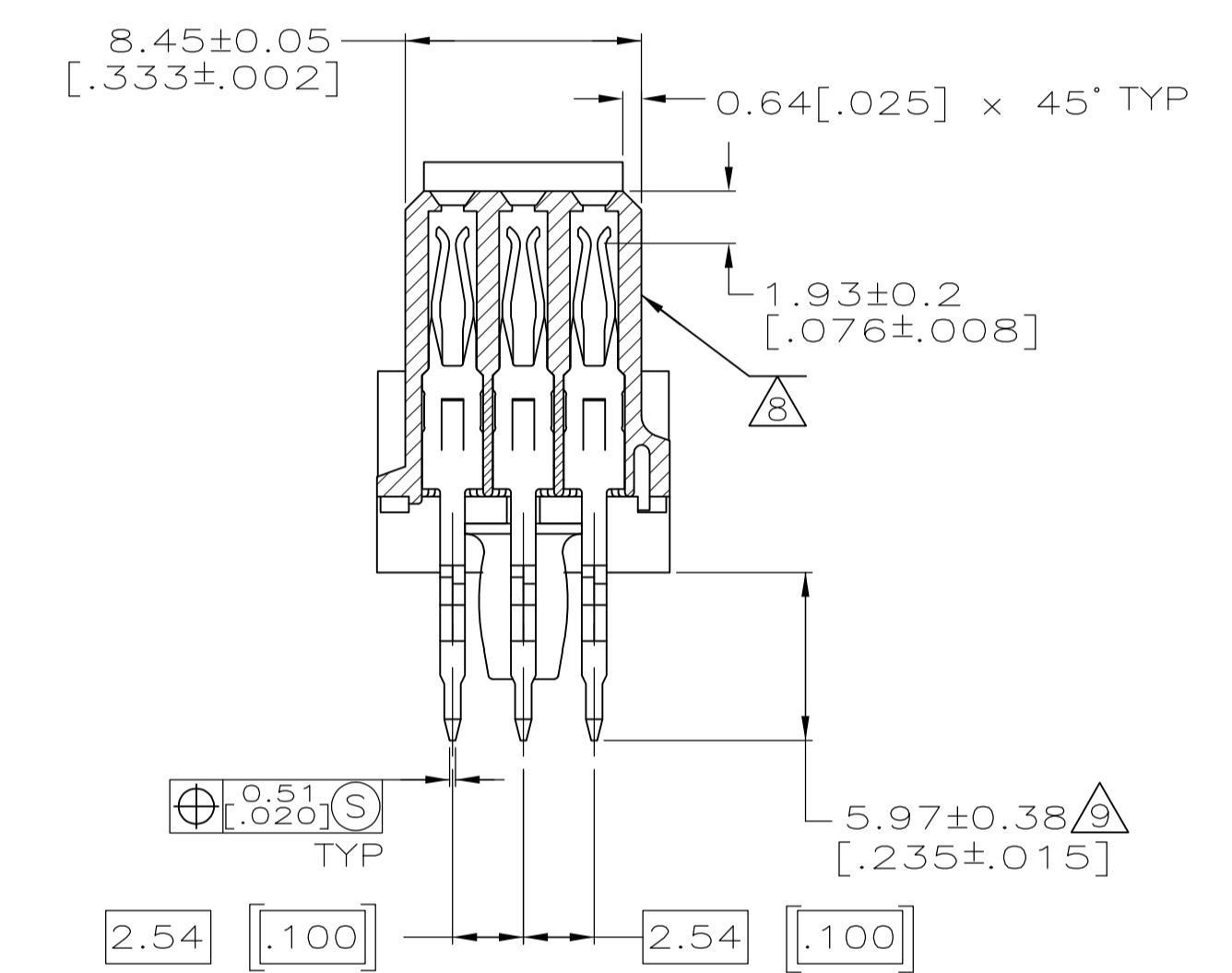
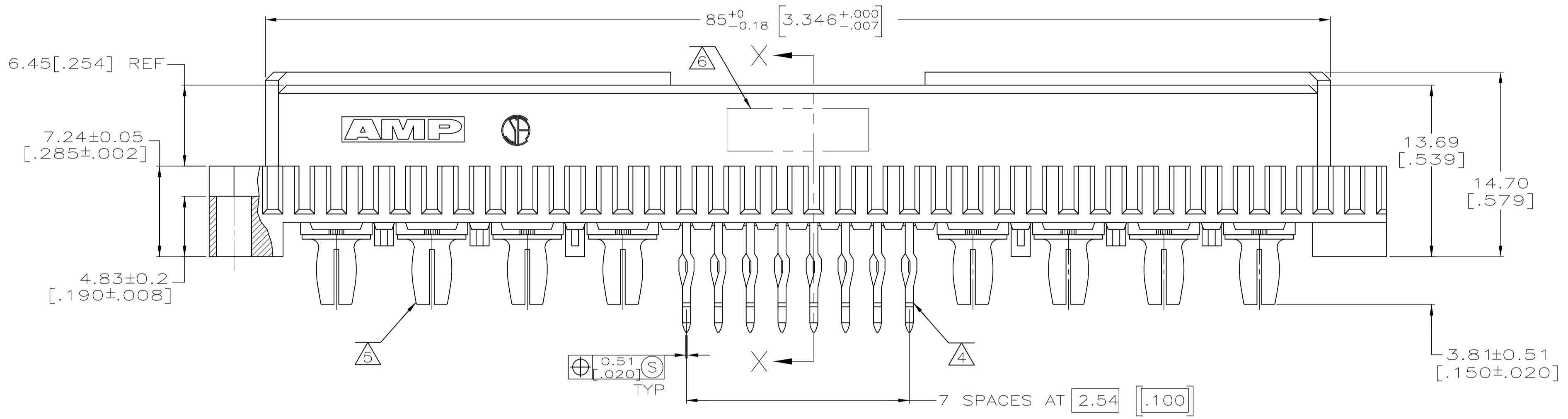
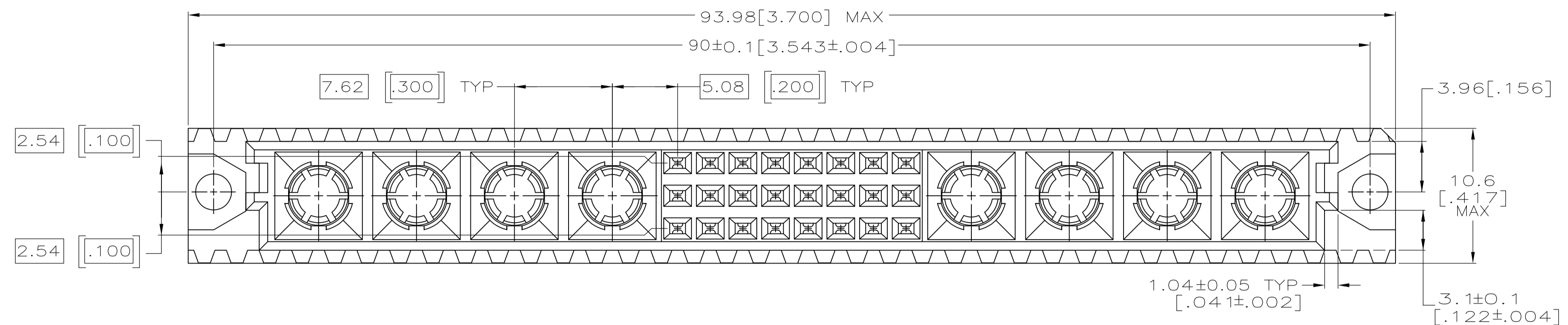


- ① HOUSING MATERIAL: GLASS-FILLED POLYMER.
- ② SIGNAL CONTACT MATERIAL: COPPER ALLOY.
- ③ POWER CONTACT MATERIAL: COPPER ALLOY
- ④ CONTACT FINISH: DIN 41612 CLASS 2 IN CONTACT AREA. TIN PLATE ON POSTS.
- ⑤ POWER CONTACT FINISH: DIN 41612 CLASS 2 ALL OVER.
- ⑥ PART NUMBER AND DATE CODE IN THIS APPROXIMATE AREA.
- ⑦ SIGNAL CONTACTS REQUIRE 1.57[.062] MINIMUM THICK PC BOARD. RECOMMENDED PC BOARD DRILLED HOLES ARE $\varnothing 1.15 \pm 0.025$ [.0453 \pm .0010] WITH 0.02-0.08 [.001-.003] COPPER AND 0.008 [.0003] MINIMUM TIN-LEAD PLATING. FINISHED HOLE AFTER PLATING IS $\varnothing 1.02 \pm 0.08$ [.040 \pm .003].
- ⑧ MARKING ON THIS SIDE.
- ⑨ TAIL LENGTH AFTER SEATING IN PC BOARD.
- ⑩ POWER CONTACTS REQUIRE 3.13 \pm 0.08 [.123 \pm .003] DIAMETER DRILLED HOLE WITH 0.05 \pm 0.025 [.002 \pm .001] THICK COPPER AND 0.0127 [.0005] MINIMUM TIN-LEAD PLATING. FINISHED HOLE SIZE IS 3.0 \pm 0.08 [.118 \pm .003].



2,5,8,11,22,25,28,31	B	8	5148370-2
2,5,11,22,25,28,31	B	7	5148370-1
POSITIONS LOADED	ROWS	NO. OF POWER CONTACTS LOADED	PART NUMBER

13-20	C	8	5148370-2
13-20	B	8	
13-20	A	8	
13-20	C	8	
13-20	B	8	5148370-1
13-20	A	8	
POSITIONS LOADED	ROWS	NO. OF SIGNAL CONTACTS LOADED	PART NUMBER

THIS DRAWING IS A CONTROLLED DOCUMENT.

DIMENSIONS: mm (INCHES)	TOLERANCES UNLESS OTHERWISE SPECIFIED:	DIN J. POLIGNONE 15APROS	DRW A. SHARPE 15APROS	TE Connectivity
0 PLC ± - 1 PLC ± - 2 PLC ± 0.13 [.005] 3 PLC ± - 4 PLC ± - ANGLES ± -	0.15 [.006] (M) 0.1 [.004] (M)	APVD A. SHARPE 15APROS	NAME ASSEMBLY, RECEPTACLE, TYPE M, EUROCARD, 24+7/8, PRESS-FIT POSTS, 5.97[.235]/3.81[.150] WITH POWER CONTACTS	
MATERIAL	FINISH	SIZE A1	00779 C=5148370	RESTRICTED TO
①②③	④⑤	WEIGHT -	SCALE 4:1	SHEET 1 OF 1
CUSTOMER DRAWING		REV A		