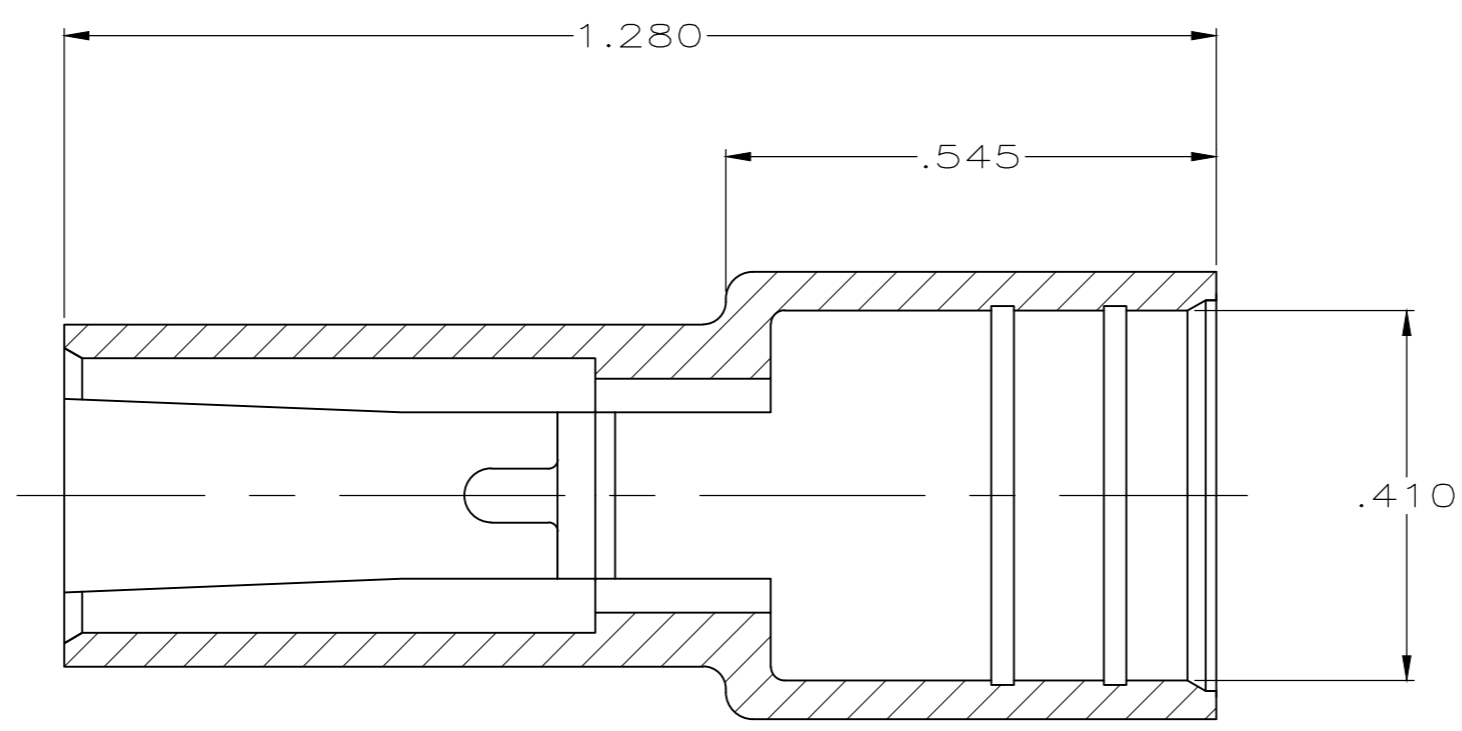
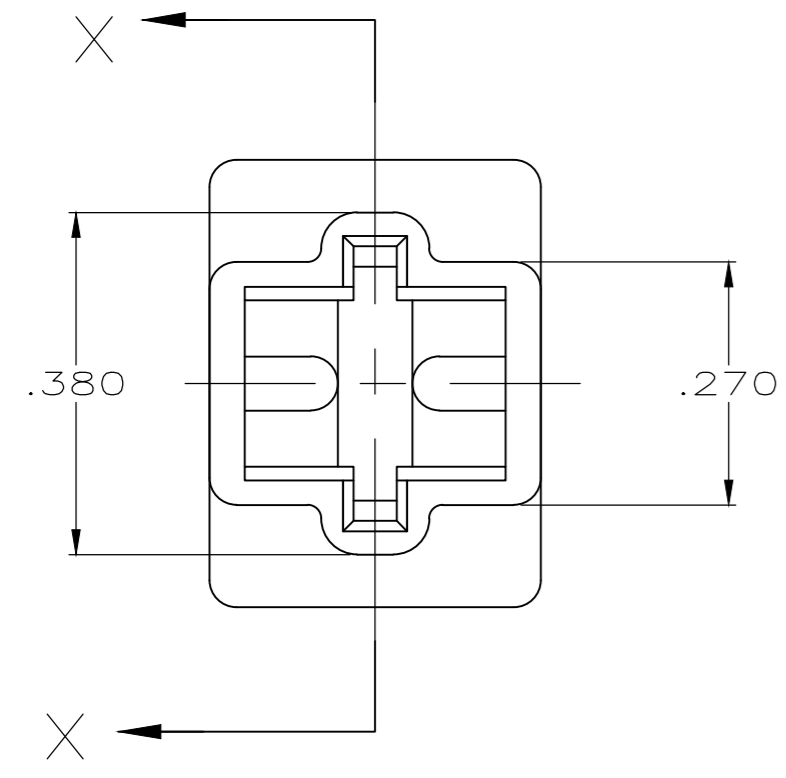
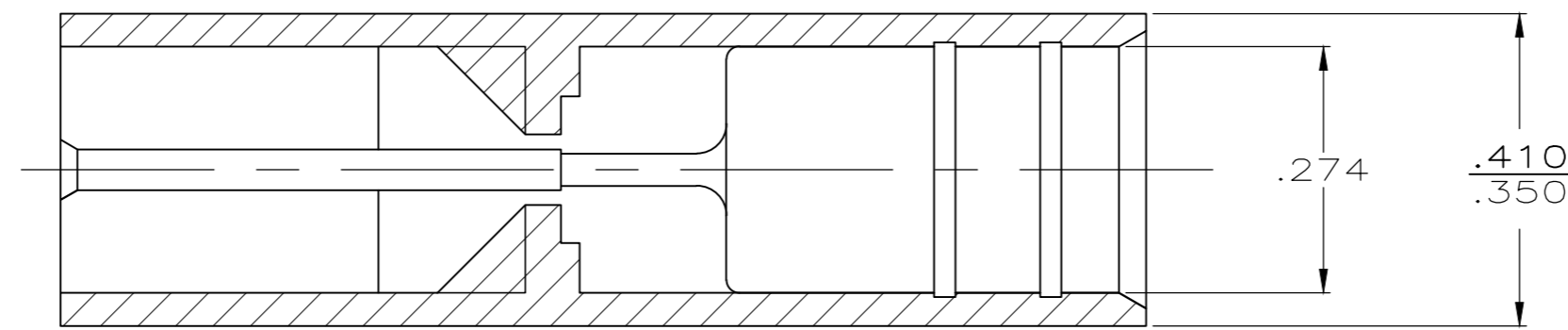
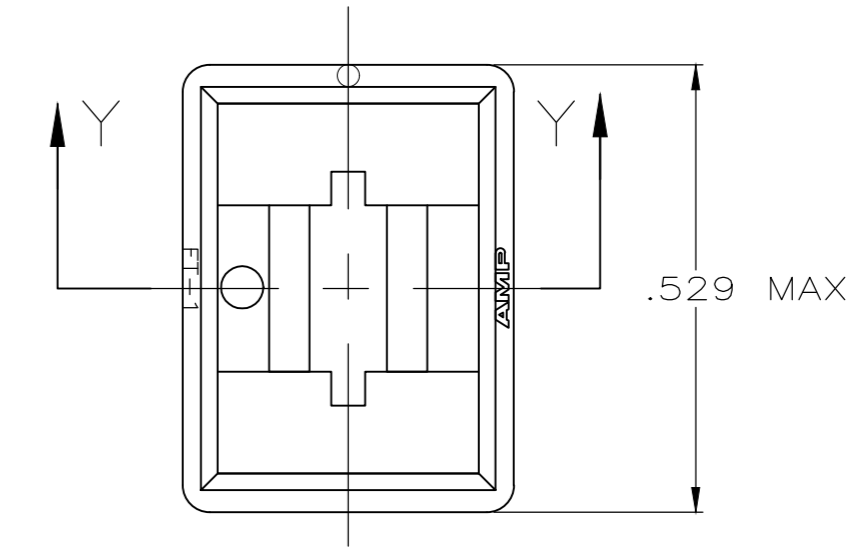


LOC	DIST	REVISIONS					
AF	50	P	LTR	DESCRIPTION	DATE	DWN	APVD
		AE3		REVISED PER ECR-19-009700	21AUG2019	BDA	DS



SECTION X-X



SECTION Y-Y
ROTATED 90° CW

1 OBSOLETE PARTS: OBSOLETE CIS STREAMLINING PER D.RENAUD/D.SINISI

2 THIS PRODUCT HAS NOT COMPLETED VALIDATION TESTING AGENCY CERTIFICATION PENDING

	RED	NYLON V0	1-480053-5	2
	BLACK	NYLON V0	1-480053-4	2
	NATURAL	NYLON V0	1-480053-3	2
1	OBSOLETE BLACK	4/6 NYLON UL 150° C	1-480053-0	
	OBSOLETE DYED GREY	6/6 NYLON	480053-9	
	OBSOLETE DYED PINK	6/6 NYLON	480053-8	
	SUPERSEDED BY 480053-3 DYED BLUE	6/6 NYLON	480053-7	
	SUPERSEDED BY 480053-3 DYED GREEN	6/6 NYLON	480053-6	
	RED	6/6 NYLON	480053-5	
	BLACK	6/6 NYLON	480053-4	
	NATURAL	6/6 NYLON	480053-3	
	SUPERSEDED BY 480053-4 BLACK	CYCOLAC	480053-2	
	SUPERSEDED BY 480053-3 CLEAR	TENITE	480053-1	
	COLOR	MATERIAL	PART NO	

THIS DRAWING IS A CONTROLLED DOCUMENT FOR AMP INCORPORATED. IT IS SUBJECT TO CHANGE AND THE CONTROLLING ENGINEERING ORGANIZATION SHOULD BE CONTACTED FOR THE LATEST REVISION.

THIS DRAWING IS A CONTROLLED DOCUMENT.		DWN	JR RUTH	3/10/94	TE Connectivity
DIMENSIONS: MM(INCHES)		CHK	MS FEHER	3/10/94	
TOLERANCES UNLESS OTHERWISE SPECIFIED:		APVD	R BEAVER	3/10/94	
0 PLC ± - 1 PLC ± - 2 PLC ± - 3 PLC ± .015 4 PLC ± - ANGLES ± -		PRODUCT SPEC	NAME		
MATERIAL SEE TABLE		FINISH	SEE TABLE		HOUSING, TAB, FASTIN-FASTON, .250 SERIES
CUSTOMER DRAWING		WEIGHT	-		SIZE A2 CAGE CODE 00779 DRAWING NO C-480053
SCALE 5:1		SHEET 1 OF 1		REV AE3	RESTRICTED TO

480053