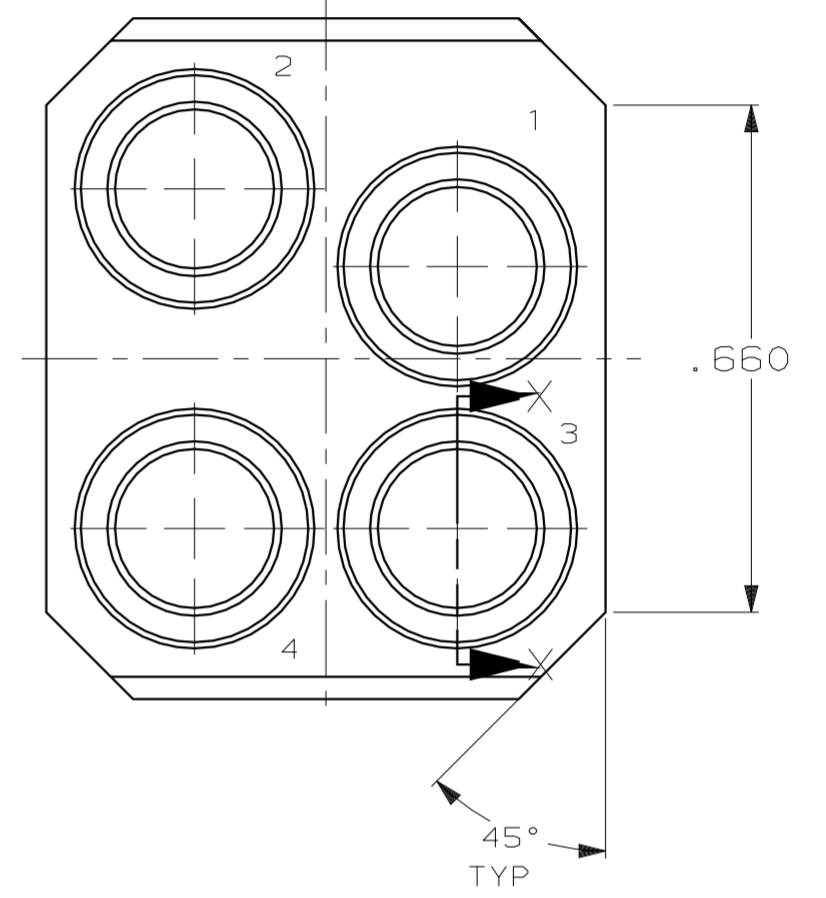
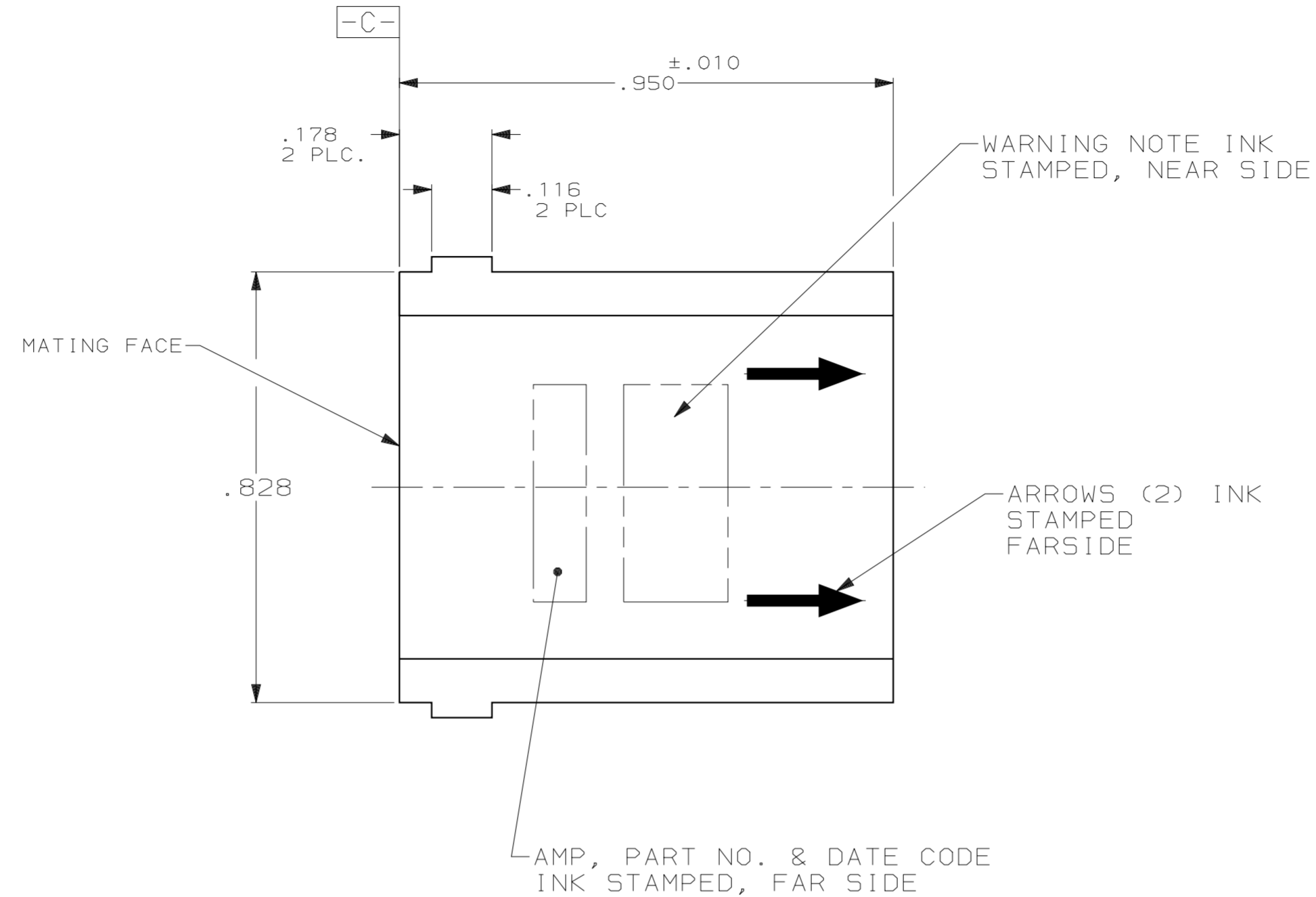
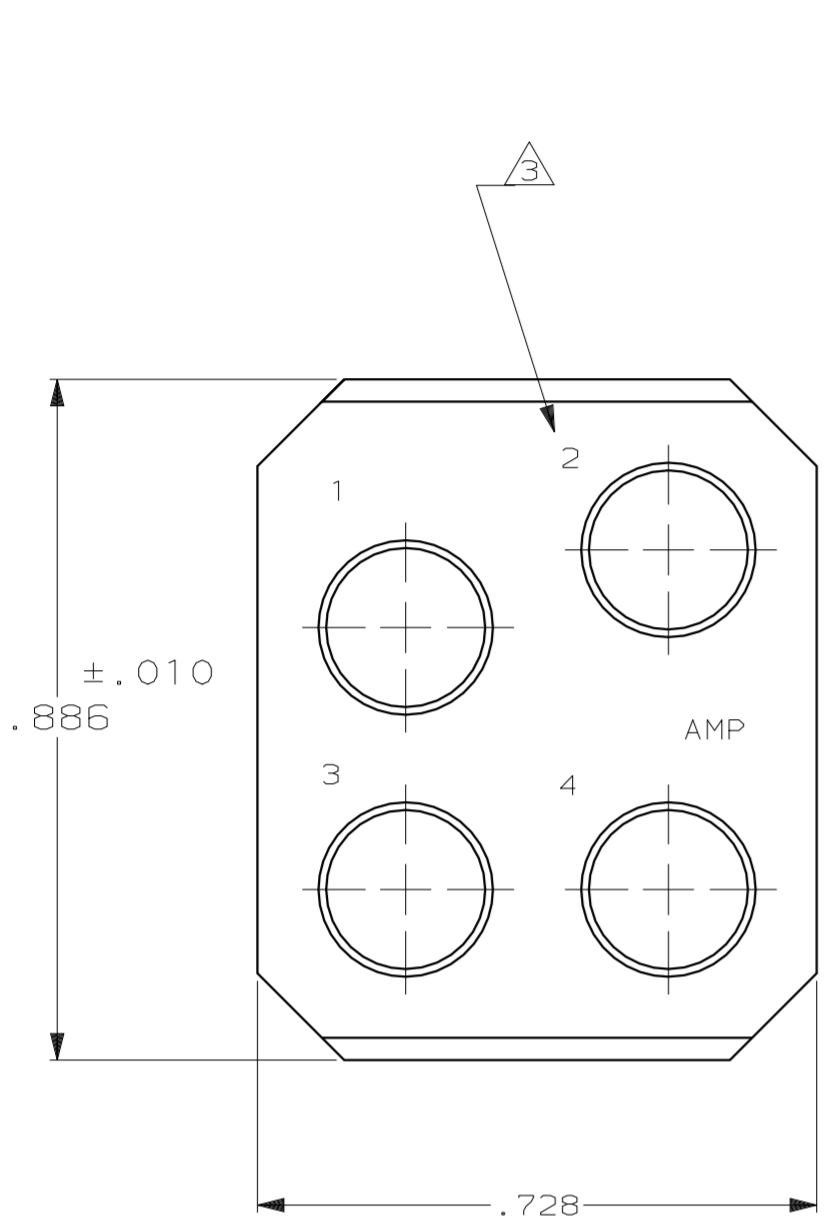



PROD CODE	LOC	DIST	P	F	ZONE	LTR	DESCRIPTION	DATE	APPD
5058	DF	BO			A		RELEASED PER 90-369	BR	-



1. THIS MODULE ACCEPTS MINIATURE COAXICON AND TYPE 1, SIZE 12 PIN CONTACTS.

DO NOT SCALE PRINT. UNLESS SPECIFIED DIMENSIONS IN mm [INCHES] TOLERANCES ON :		DR 9-26-90 R. RINEHART	AS SHOWN	447405-2
2 PLC DEC ± -		CHK -	DESCRIPTION	PART NO
3 PLC DEC ± .005		APPD -	 AMP Incorporated Harrisburg, PA 17105-3608	
ANGLES ± -		APPD -		
MATERIAL	ALUMINUM & PLATED ZINC OVER NICKEL.	PRODUCT SPEC	NAME	
FINISH	-	APPLICATION SPEC	PIN MODULE, G SERIES, 4 POSN.	
		WEIGHT -	SIZE	CAGE CODE
			SCALE	DRAWING NO
			©	00779
			NTS	447404
				SHEET 1 OF 1