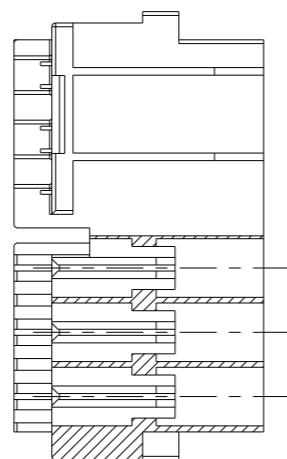
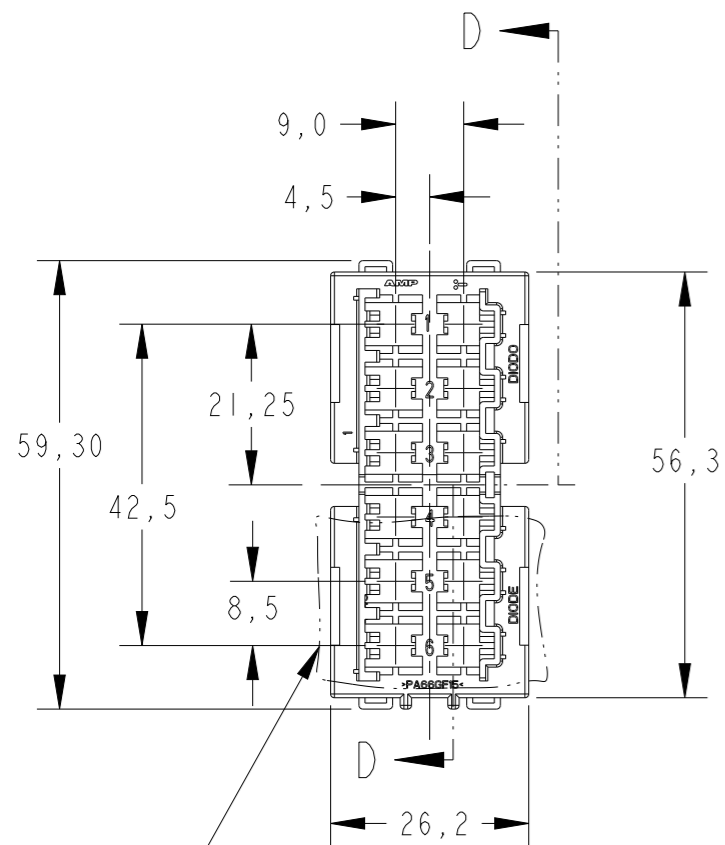


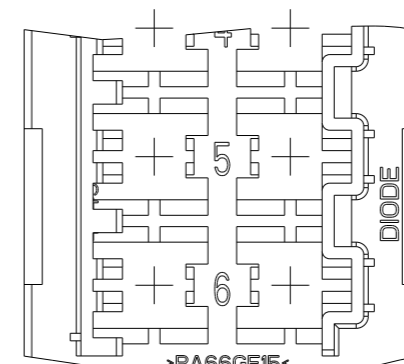
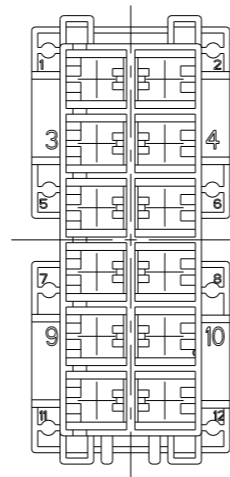
LOC AP DIST -

REVISIONS

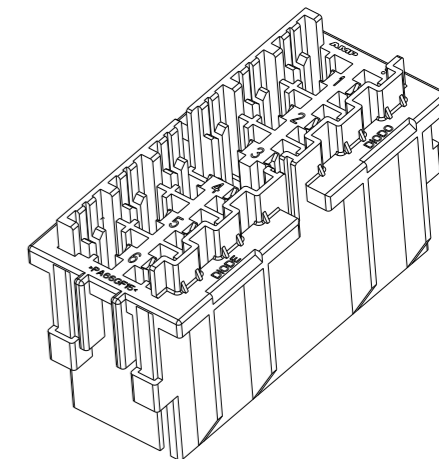
P	LTR	DESCRIPTION	DATE	DWN	APVD
A		REDRAW BY CAD EC-0181/00	06JUL00	MLO	PLF
B		REVISED DESIGN ECO-13-004522	01APR2013	NCL	BR
BI		REVISED BY ECN-22-175806	19OCT2022	MJI	RKL



SECTION D-D

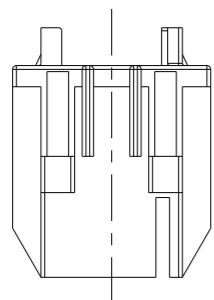


DETAIL Z SCALE 2:1



PERSPECTIVE VIEW SCALE 1:1

SEE DETAIL Z



GRAVAÇÃO MARKING
LOGOTIPO AMP AMP LOGO
CÓDIGO PAÍS PRODUTOR MANUFACTURER COUNTRY CODE
NOMENCLATURA MATERIAL MATERIAL NOMENCLATURE
NÚMERO COMPONENTE TE TE COMPONENT NUMBER
IDENTIFICAÇÃO CIRCUITO CIRCUIT IDENTIFICATION

1- CAVIDADES PARA TERMINAIS "FUSE CONTACT": 880397; 880398; 880399 E "FUSE CONTACT BUSBAR" 880490 E 880492.

2- CONECTOR PARA DIODO.

1- CAVITIES FOR FUSE CONTACT TERMINAL: 880397; 880398 880399 AND FUSE CONTACT BUSBAR 880490 AND 880492.

2- CONECTOR PARA DIODO.

—	VIOLETA/VIOLET	▲	▲	-9
—	CINZA/GRAY			-8
—	VERDE/GREEN			-7
—	BRANCO/WHITE			-6
—	AZUL/BLUE			-5
—	AMARELO/YELLOW			-4
—	VERMELHO/RED			-3
—	MARROM/BROWN			-2
—	PRETO/BLACK	PA 6.6+15% F.V / G.F		444311-1

USED ON	RAW MAT'L NO	FINISH	MATERIAL	PART NUMBER
444308				
THIS DRAWING IS A CONTROLLED DOCUMENT.		DWN M.L. OGAWA 15MAR00	TE Connectivity HOUSING, 12 POSN., FUSE CONTACT	
DIMENSIONS: mm		CHK P.L.FARIA		
		APVD J.M.M.NETO		
TOLERANCES UNLESS OTHERWISE SPECIFIED:		PRODUCT SPEC		
0 PLC ±- 1 PLC ±0,3 2 PLC ±- 3 PLC ±- 4 PLC ±- ANGLES ±1° FINISH SEE TABLE		APPLICATION SPEC	SIZE A3	CAGE CODE 00779
MATERIAL SEE TABLE		WEIGHT -	DRAWING NO C-444311	RESTRICTED TO -
		Customer Drawing	SCALE	SHEET OF REV BI