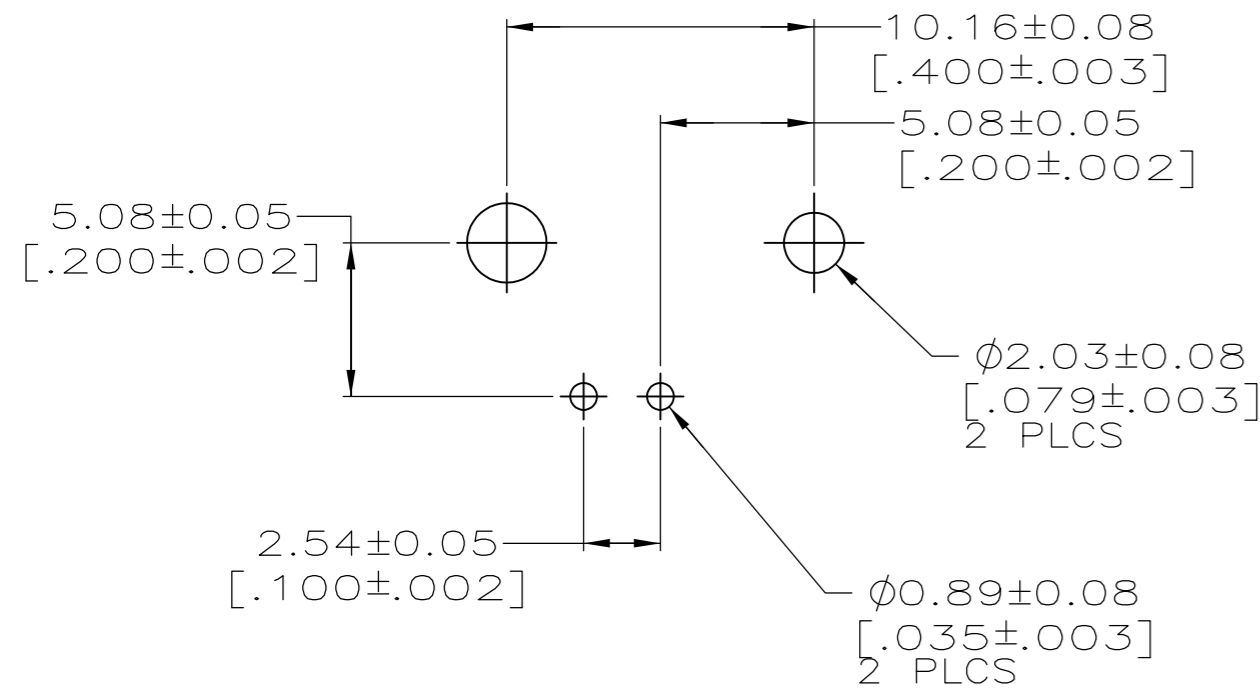
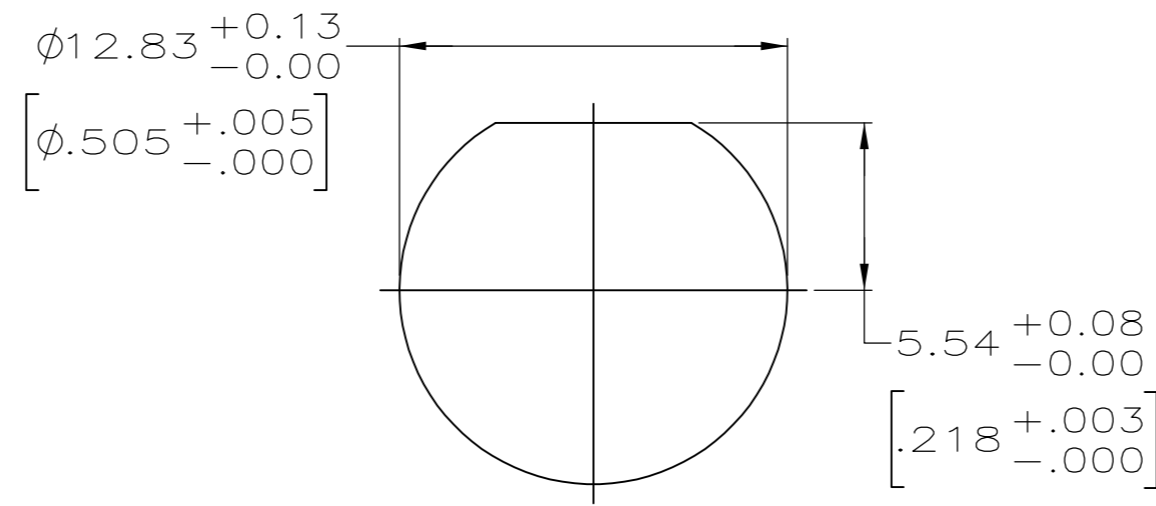


THIS DRAWING IS UNPUBLISHED. RELEASED FOR PUBLICATION
 © COPYRIGHT BY TYCO ELECTRONICS CORPORATION. ALL RIGHTS RESERVED.

LOC	DIST	REVISIONS			
P	LTR	DESCRIPTION	DATE	DWN	APVD
AJ	16	D	REV PER ECO 08-009474	7/22/2008	DW JL

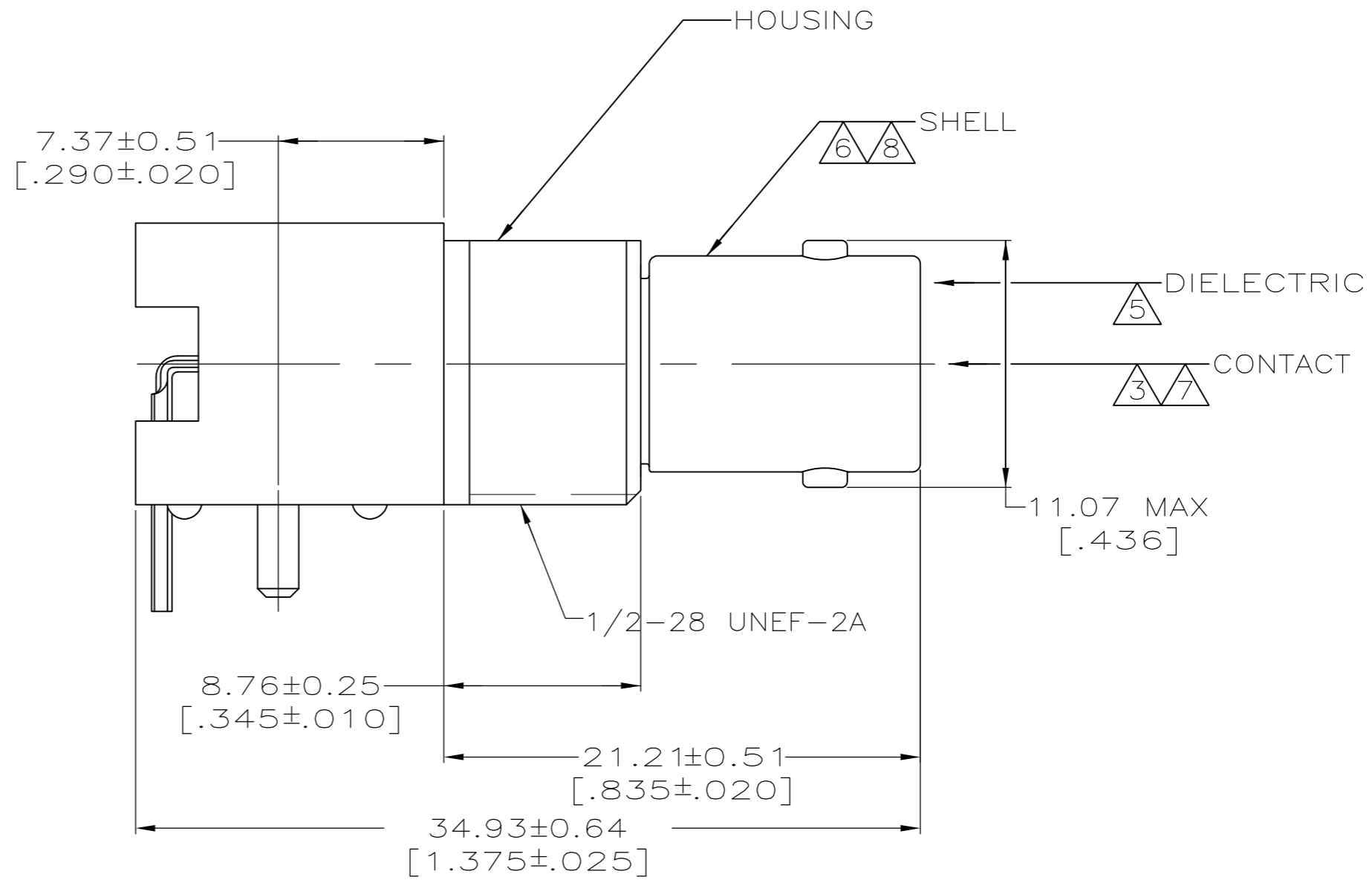
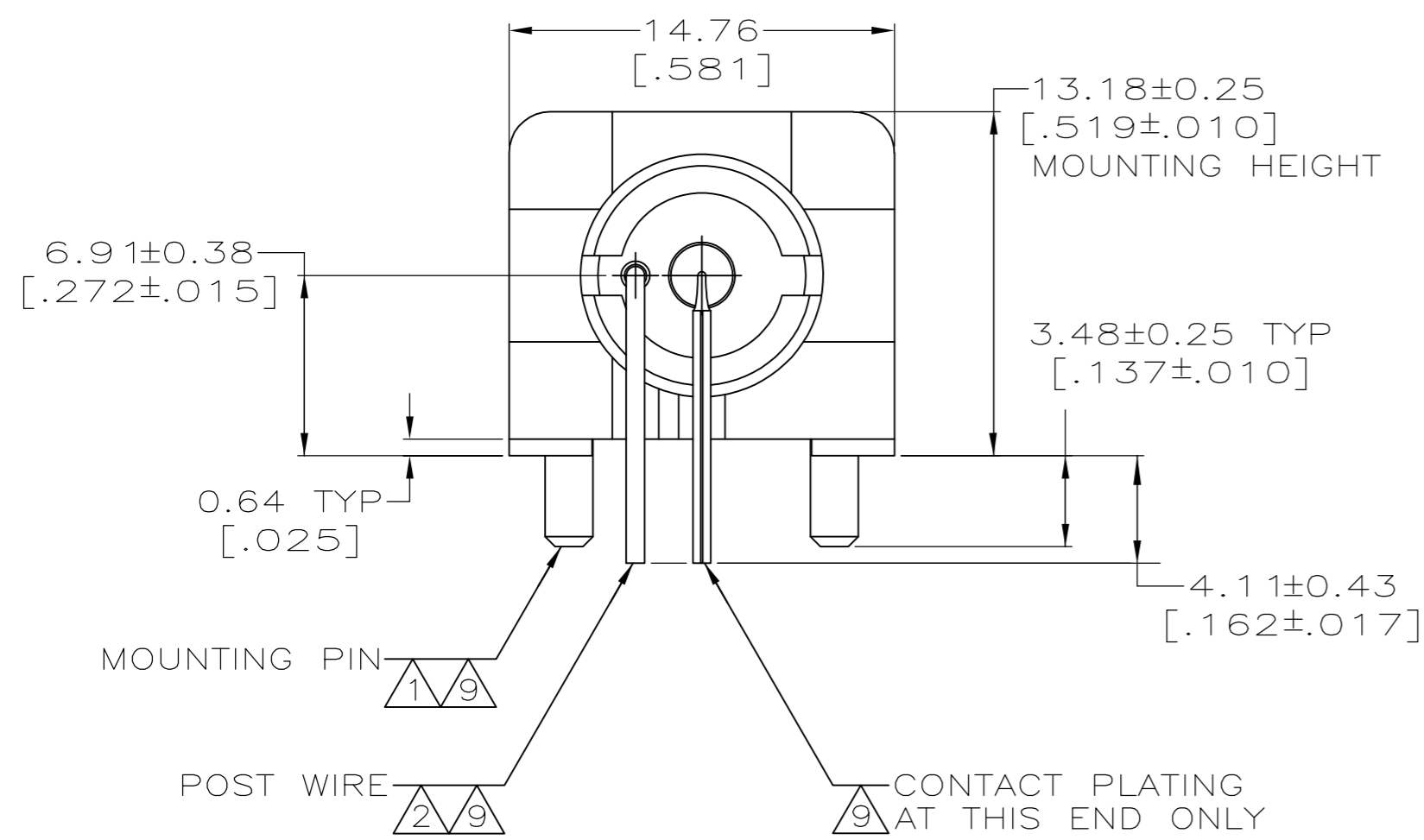


RECOMMENDED PCB LAYOUT



RECOMMENDED PANEL CUTOUT

- ① BRASS PER ASTM-B-16
- ② BRASS PER ASTM-B-453
- ③ PHOSPHOR BRONZE PER ASTM-B-103
- ④ POLYESTER PBT PER MIL-M-25419, TYPE GPT-15F, UL94V-0 RATED, COLOR: BLACK
- ⑤ POLYMETHYLPENTENE: GENERAL PURPOSE
- ⑥ ZINC DIE CAST PER QQ-Z-363
- ⑦ GOLD PLATE PER MIL-G-45204, 0.76 μm [.000030] MIN THICKNESS
- ⑧ NICKEL PLATE PER QQ-N-290, 3.81 μm [.000150] MIN THICKNESS
- ⑨ TIN PLATE PER ASTM-B-545, 3.81 μm [.000150] MIN THICK.
- 10. USE INSTRUCTION SHEET 2769
- ⑪ POLYESTER PBT PER MIL-M-25419, TYPE GPT-15F, UL94V-0 RATED, COLOR: WHITE



OBSOLETE	⑪	415634-2
	④	415634-1
HOUSING MATERIAL		PART NUMBER

THIS DRAWING IS A CONTROLLED DOCUMENT.		DWN 08OCT96 MICHAEL E. COWHER	Tyco Electronics Corporation Middletown, PA 17057	
DIMENSIONS: mm [INCHES]		CHK 09OCT96 MICHAEL J. TOMCHAK	NAME JACK, RIGHT ANGLE, 75 OHM, LOW-PROFILE, PCB, BNC	
TOLERANCES UNLESS OTHERWISE SPECIFIED:		APVD 09OCT96 MICHAEL J. TOMCHAK	PRODUCT SPEC 108-12078	
0 PLC ± -		APPLICATION SPEC		
1 PLC ± -		SIZE CAGE CODE DRAWING NO RESTRICTED TO		
2 PLC ± 0.20 [.008]		A2 00779 C=415634		
3 PLC ± -		SCALE SHEET 1 OF 1 REV D		
4 PLC ± -				
ANGLES ± -				
FINISH SEE NOTES		CUSTOMER DRAWING		