

4

3

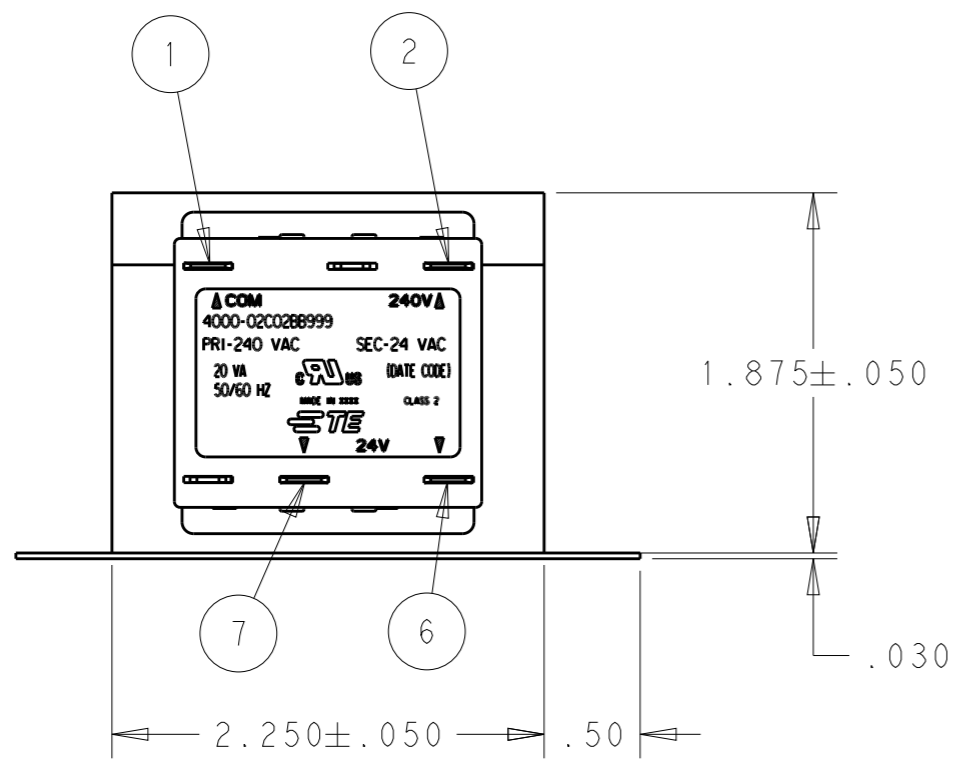
2

1

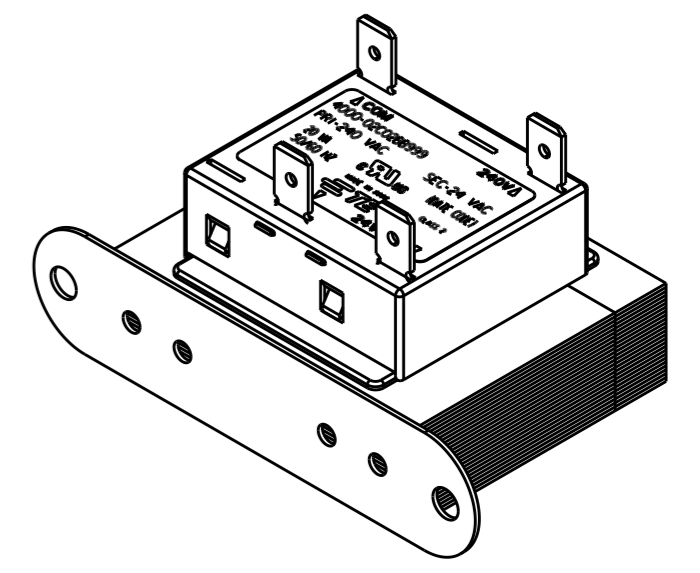
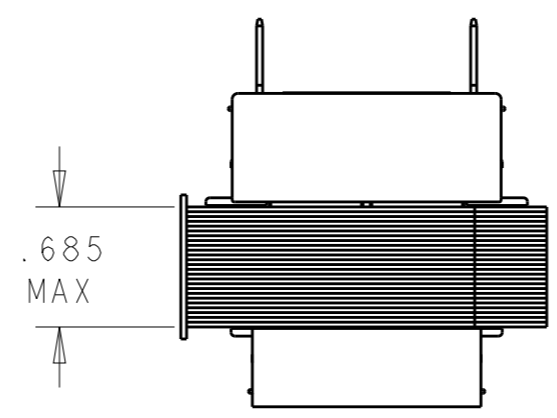
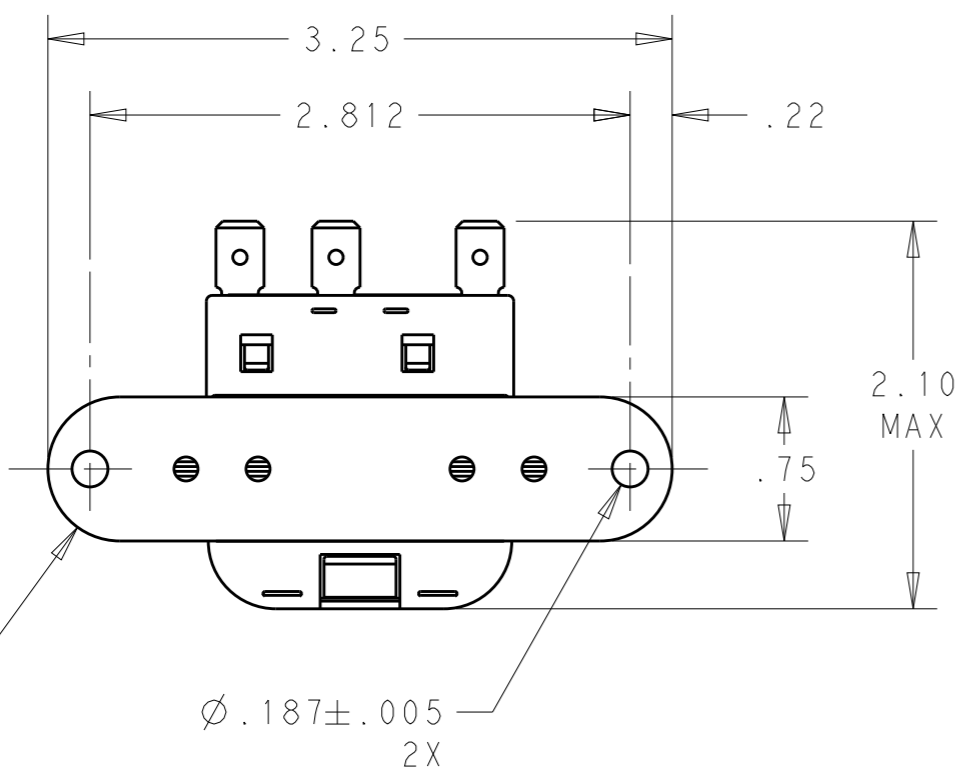
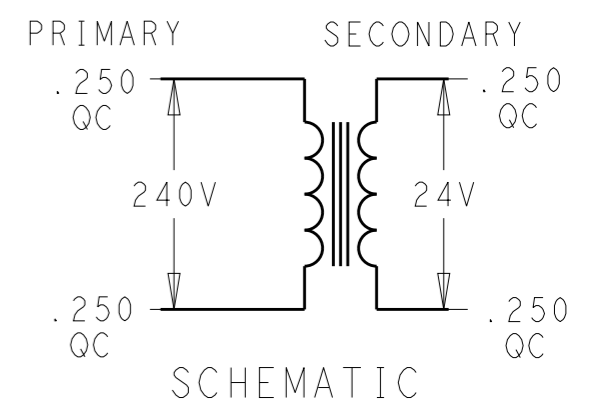
THIS DRAWING IS UNPUBLISHED. RELEASED FOR PUBLICATION 20  
© COPYRIGHT 20 BY - ALL RIGHTS RESERVED.

REVISIONS				
P	LTR	DESCRIPTION	DATE	APVD
	A	ECR-17-007192	21NOV2017	VS DB


CERTIFICATION: UL & cUL FILE NO. E87824					
PRIMARY			SECONDARY		
TERMINAL NO.	1	2	TERMINAL NO.	6	7
VOLTAGE	COM	240	VOLTAGE	24	VAC
TERM. WIDTH	.250	.250	TERM. WIDTH	.250	.250
TERM. THICKNESS	.032	.032	TERM. THICKNESS	.032	.032



1. WINDING PROTECTION: INHERENTLY LIMITING.



8-1611470-4  
TE PART NO.

THIS DRAWING IS A CONTROLLED DOCUMENT.		DWN VIC SLACK 23MAY2017	 TE Connectivity													
DIMENSIONS: INCHES		CHK D. BLOESCH 23MAY2017														
TOLERANCES UNLESS OTHERWISE SPECIFIED:		APVD D. BLOESCH 23MAY2017	NAME TRANSFORMER OUTLINE													
<table border="1"> <tr><td>0 PLC</td><td>±-</td></tr> <tr><td>1 PLC</td><td>±.1</td></tr> <tr><td>2 PLC</td><td>±.03</td></tr> <tr><td>3 PLC</td><td>±.015</td></tr> <tr><td>4 PLC</td><td>±-</td></tr> <tr><td>ANGLES</td><td>±-</td></tr> </table>		0 PLC	±-	1 PLC	±.1	2 PLC	±.03	3 PLC	±.015	4 PLC	±-	ANGLES	±-	PRODUCT SPEC -	SIZE A3	
0 PLC	±-															
1 PLC	±.1															
2 PLC	±.03															
3 PLC	±.015															
4 PLC	±-															
ANGLES	±-															
MATERIAL -		APPLICATION SPEC -	CAGE CODE -	DRAWING NO. C-4000-02C02BB999												
FINISH -		WEIGHT -	RESTRICTED TO -	SCALE 1:1												
		CUSTOMER DRAWING	SHEET 1 OF 1	REV A												