

REV.	DATE	APPROVED
1	03/11/24	CS
2	09/11/30	RS
3	03/11/24	CS

REVISIONS

CONSTRUCTION  
MAIN CONTACTS  
CONFIGURATION  
VOLTAGE (NOMINAL)  
CURRENT RES.  
IND.  
MOTOR  
RUPTURE

OPERATE TIME  
CLOSING  
OPENING  
AUXILIARY CONTACTS  
CONFIGURATION  
VOLTAGE  
CURRENT RES.  
IND.  
LAMP

COIL DATA  
DUTY CYCLE  
COIL VOLTAGE  
NOMINAL COIL VOLTAGE  
PICKUP MAX.  
DROPOUT VOLTAGE  
CURRENT HOLD  
SUPPRESSION

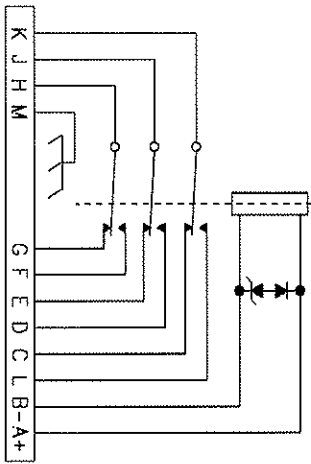
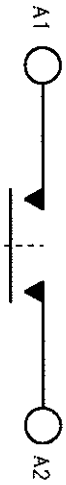
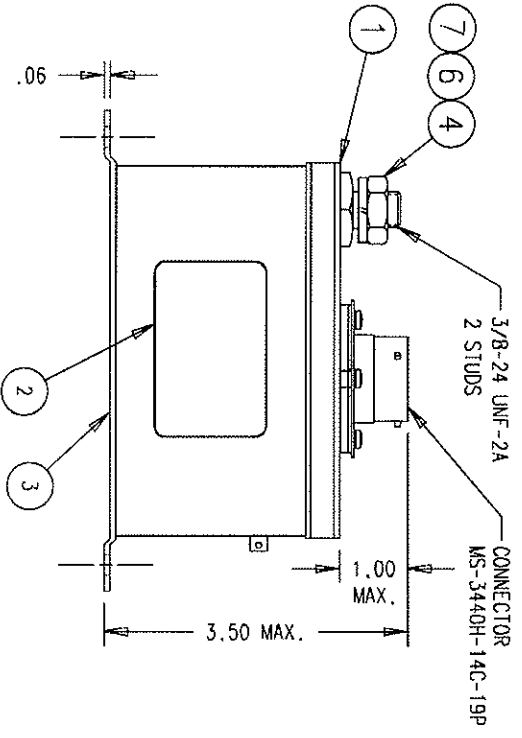
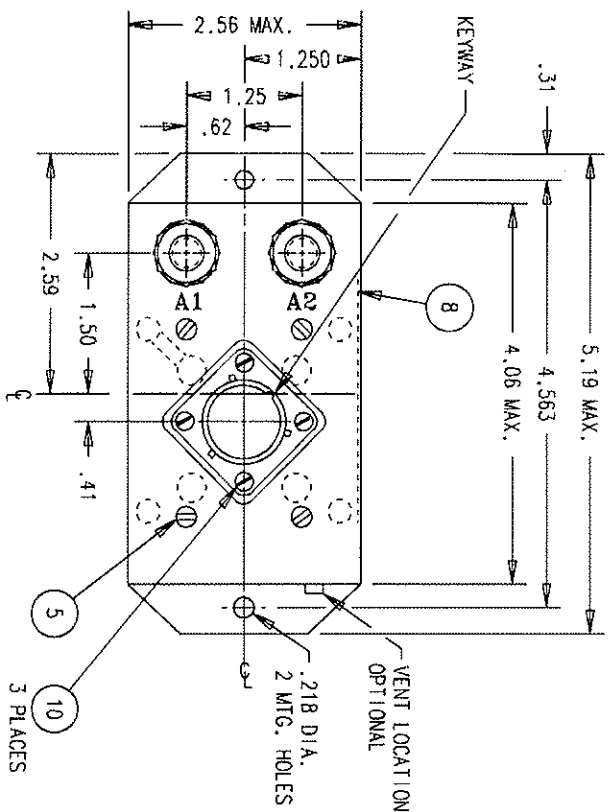
ENVIRONMENTAL DATA  
OPERATING TEMP.  
VIBRATION  
ACCELERATION  
SHOCK  
ALTITUDE  
LIFE ELECTRICAL  
LIFE MECHANICAL  
WEIGHT MAX.

GASKET SEALED (VENTED)  
SPST N.O. SIDESTABLE  
28 VDC  
300 AMP  
100 AMP  
250 AMP  
3000 AMP

35 MS MAX. AT 28 V  
35 MS MAX. AT 28 V

CONTINUOUS  
28 VDC  
18 V  
1.5 TO 7 V  
0.5 AMP MAX. AT 25°C AT 28 VDC  
±42 V PEAK

UP TO 6 G'S  
25G'S FOR 6 TO 9 MSEC.  
50,000 FEET MAX.  
50,000 CYCLES MIN.  
100,000 CYCLES MIN  
2 LBS.



NO.	QTY	PART OR IDENTIFYING NO.	NOMENCLATURE OR DESCRIPTION	FSCD NO.	DRAWING OR SPECIFICATION	MATERIAL OR NOTE
11	1	54102-001	GLYPHOL			
10	AR	54102-001	GLYPHOL			
9						
8	1	17959-001	PLATE - WARNING			BRASS
7	2	51704-024	WASHER - FLAT 3/8 X 25/64 X .062			BRONZE
6	2	51807-084	WASHER - LOCK 3/8 X .688 X .094			S STEEL
5	4	51200-020	SCREW - #4 1/4 PAN HD.			BRASS
4	2	50407-164	NUT - 3/8 X 5/8 X 7/32 HEX			
3	1	32679-010	CONTACTOR ASSEMBLY - PRIMARY			
2	1	16043-015	PLATE - NAME			
1	1	32232-001	PLATE - BASE COVER			

UNLESS OTHERWISE SPECIFIED  
DIMENSIONS ARE IN INCHES  
REFERENCES ON  
DRAWINGS

2 PL DEC.13 PL DEC.JANGL.ES  
+ .06 + .010 + .1\*

REF. SIKORSKY  
70550-02028



Hortington Division, 175 N. Diamond Street, Mansfield, Ohio 44902

CONTACTOR-CONTINUOUS DUTY  
300AMP, 28 VOLTS

DWG NO. A-770WF

REF TYCO P/N 4-1616058-4