

# SAFETY ORGANIZATIONS

THIS FILTER HAS BEEN FORMALLY RECOGNIZED, CERTIFIED OR APPROVED BY THE LISTED AGENCY. THEREFORE, ALL TEST/REQUIREMENTS SPECIFIED IN THE LATEST REVISION OF THE FOLLOWING AGENCY STANDARDS HAVE BEEN MET:

- UL RECOGNIZED: UL 1283
- CSA CERTIFIED: CSA 22.2, # 8
- VDE APPROVED: VDE 565-3

# OPERATING SPECIFICATIONS

LINE CURRENT/VOLTAGE: 3 AMP, 120/250 VAC,  
3 AMP/40°C, 250 VAC

LINE FREQUENCY: 50-60Hz

MAXIMUM LEAKAGE CURRENT,  
EACH LINE TO GROUND: 0.22 mA @ 120V 60Hz  
0.38 mA @ 250V 50Hz

OPERATING AMBIENT TEMP. RANGE: -10°C TO +40°C @ RATED CURRENT, I<sub>r</sub>.

IN AN AMBIENT, T<sub>0</sub>, HIGHER THAN 40°C, THE MAXIMUM OPERATING CURRENT, I<sub>0</sub>, IS AS FOLLOWS:

$$I_0 = I_r \sqrt{\frac{100 - T_0}{60}}$$

# RELIABILITY SPECIFICATIONS:

STORAGE TEMPERATURE: -40°C TO +85°C  
HUMIDITY: 21 DAYS @ 40°C 95% RH.  
CURRENT OVERLOAD TEST: 6 TIMES I<sub>r</sub> FOR 8 SECONDS

# TEST SPECIFICATIONS:

INDUCTANCE: 1.45 mH NOMINAL  
CAPACITANCE: (MEASURED @ 1KHz, 0.250VAC MAX., 25°C±1°C)  
LINE TO GROUND: 0.0058 μF ±20%  
LINE TO LINE: 0.0485 μF ±20%  
DISCHARGE RESISTOR: 1.5M Ω  
L/G AND L/L I.R.  
NO DISCHARGE RESISTOR: 6000M Ω (MIN.) @ 100VDC, 20°C AND 50% RH

# RECOMMENDED RECEIVING INSPECTION HIPOT:

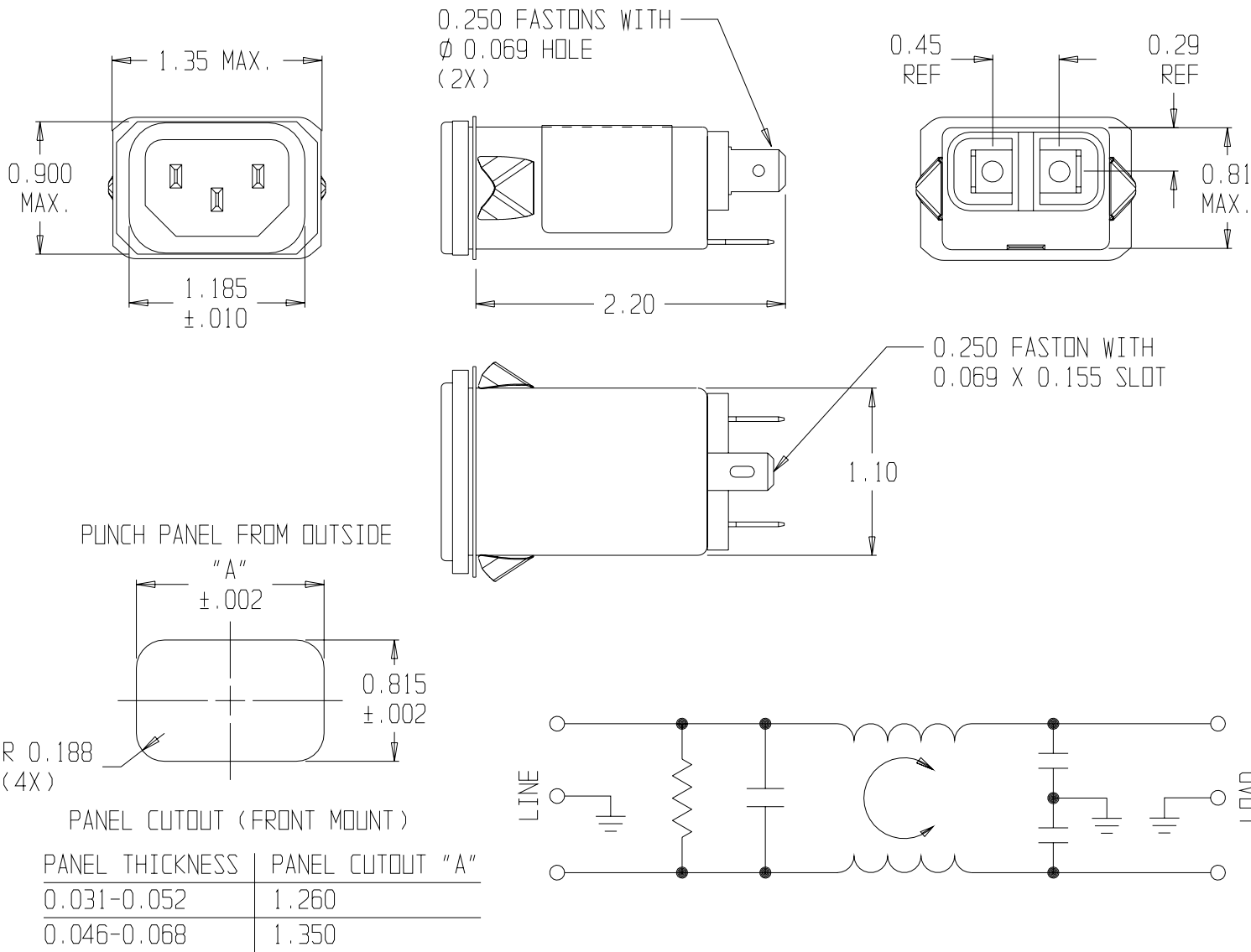
LINE TO GROUND: 1500 VAC OR 2250 VDC FOR 1 MINUTE  
LINE TO LINE: 1450 VDC FOR 1 MINUTE

# FILTER APPROVAL:

THE BEST WAY TO SELECT AND QUALIFY A FILTER IS FOR YOUR ENGINEERING TO TEST THE UNIT IN YOUR EQUIPMENT.

# CATALOG # 3EBS1

ECN #	APPRVD.	DATE
0123		10-15-02



### 50Ω - 50Ω (MINIMUM) INSERTION LOSS

FREQUENCY MHz	.01	.05	0.1	.15	0.5	1	3	5	10	30
COMMON dB	0	10	15	19	30	36	-	48	50	47
DIFF. dB	1	2	11	14	25	38	-	44	40	

THIRD ANGLE PROJECTION

UNLESS OTHERWISE SPECIFIED, TOLERANCE TO BE ±.025 MATERIAL & FINISH: AS SUPPLIED

This document is proprietary to CORCOM INC. and is not to be reproduced nor used for manufacturing purposes except on CORCOM'S prior written consent.

844 E. ROCKLAND RD. LIBERTYVILLE IL 60048

## POWER LINE FILTER

CAD FILE: G:\CD\3EBS101	TYCO # 0-1609005-2
SCALE: NTS	DATE: 8-10-02
DRW. BY: SD	ORIG: ELC
CATALOG NO. <b>3EBS1</b>	REV. <b>1</b>