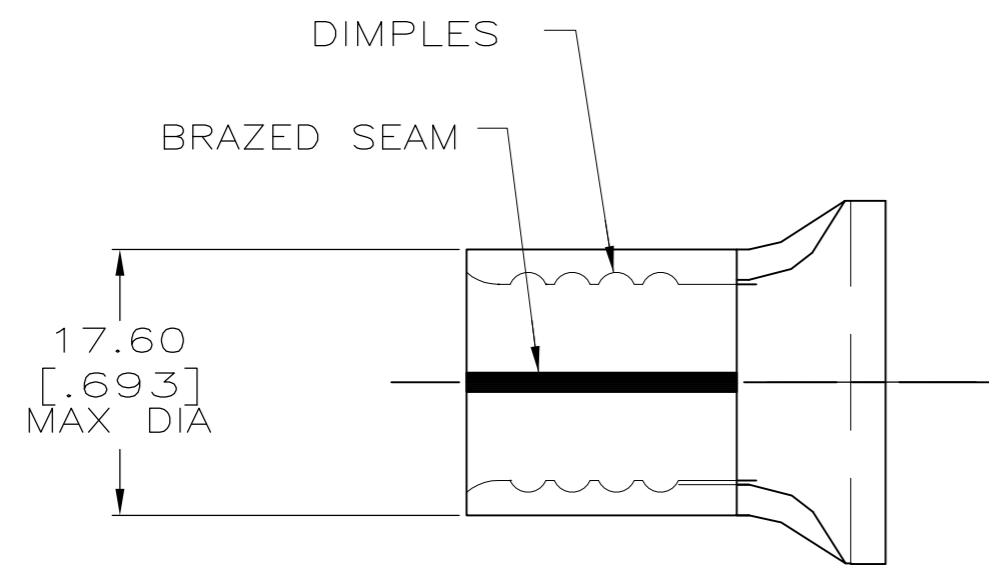


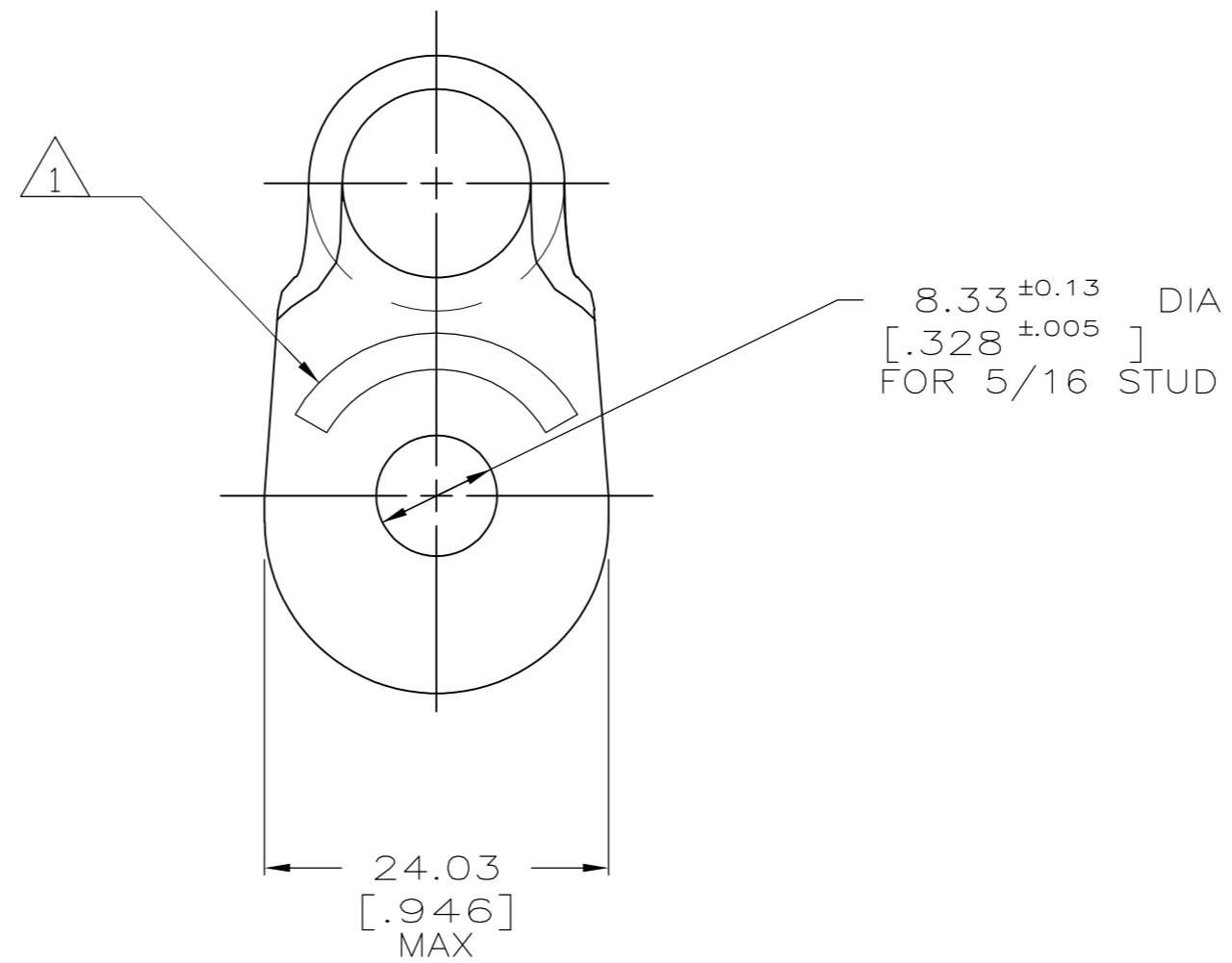
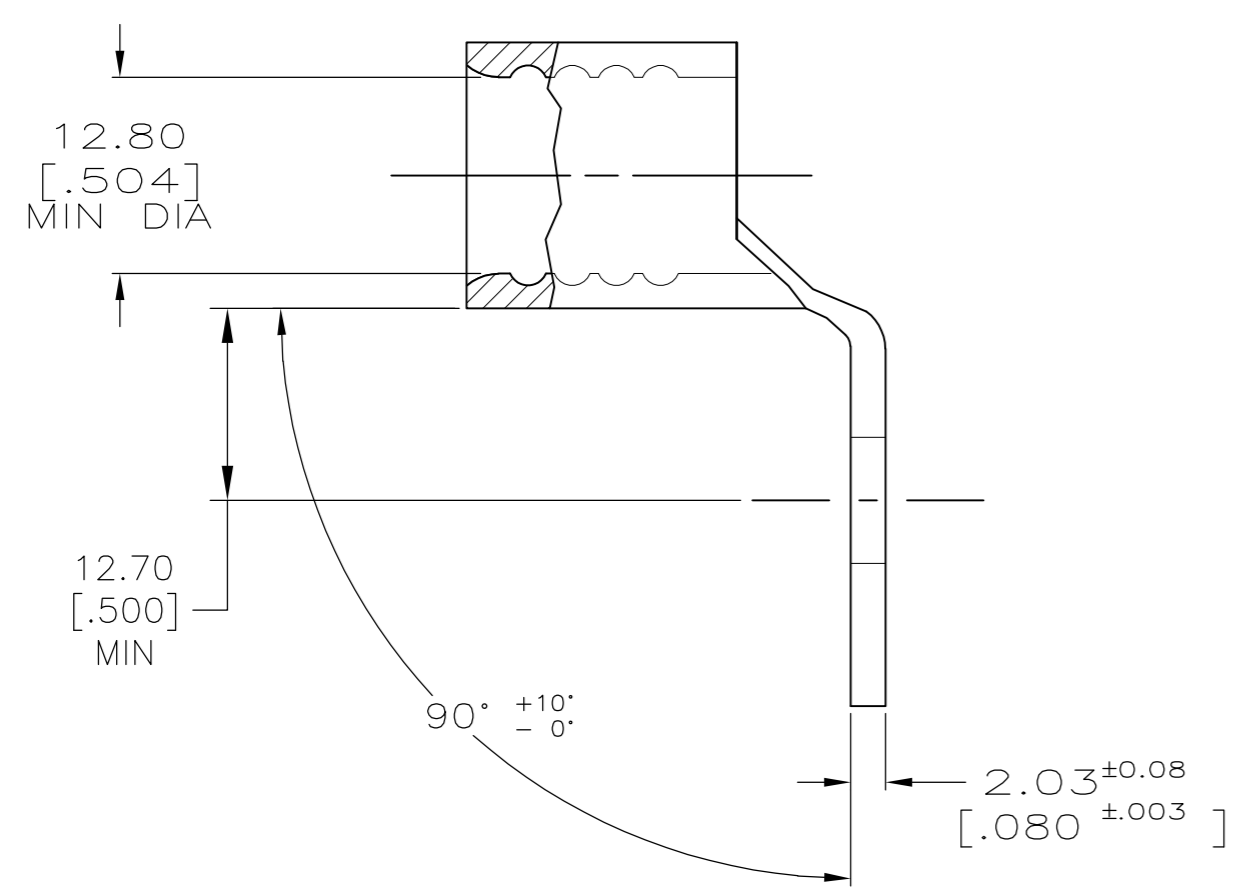
THIS DRAWING IS UNPUBLISHED. RELEASED FOR PUBLICATION  
 © COPYRIGHT BY TYCO ELECTRONICS CORPORATION. ALL INTERNATIONAL RIGHTS RESERVED.

LOC	DIST	REVISIONS					
		P	LTR	DESCRIPTION	DATE	DWN	APVD
G	14		C1	REVISED PER ECR 09-015483	09JUL09	JR	TM



<b>AMP</b> WIRE RANGE	Listed FILE E13288	LR7189 Certified
2/0 AWG SOLID OR STRANDED	2/0 AWG STRANDED	2/0 AWG SOLID OR STRANDED

- ① STAMP AMP 2/0W\* APPROX AS SHOWN
- ② TIN PLATE 0.00254[.000100] MIN THK PER MIL-T-10727



②	36922-1
FINISH	PART NO.
Tyco Electronics Corporation Harrisburg, PA 17105-3608	
NAME: TERMINAL, RING TONGUE, SOLISTRAND	
SIZE: A2	CAGE CODE: 00779
DRAWING NO: C=36922-1	RESTRICTED TO: -
SCALE: 2:1	SHEET: 1 of 1
CUSTOMER DRAWING	REV: C1

AMP INCORPORATED CUSTOMER SERVICE SYSTEMS		MAX RECOMMENDED OPERATING TEMPERATURE: 170° MAX
FOR ADDITIONAL PRODUCT INFORMATION OR COPIES OF DRAWINGS AND TECHNICAL DOCUMENTS	PRODUCT INFORMATION CENTER 1-800-522-6752	VOLTAGE RATING: N/A
FOR APPLICATION TOOLING INFORMATION	TOOLING ASSISTANCE CENTER 1-800-722-1111	CIRCULAR MIL AREA: 60.6-76.3mm² [119,500-150,500] SOLID OR STRANDED
FOR ORDER ENTRY	1-800-526-5142	THIS DRAWING IS A CONTROLLED DOCUMENT FOR AMP INCORPORATED. IT IS SUBJECT TO CHANGE AND THE CONTROLLING ENGINEERING ORGANIZATION SHOULD BE CONTACTED FOR THE LATEST REVISION.

THIS DRAWING IS A CONTROLLED DOCUMENT.		DWN: DK SCHRUM 1/14/94
DIMENSIONS: MM [ INCHES ]		CHK: AJ KAUFMAN 1/19/94
TOLERANCES UNLESS OTHERWISE SPECIFIED:		APVD: JL MECKLEY 1/19/94
		PRODUCT SPEC: -
0 PLC ± - 1 PLC ± - 2 PLC ± 0.20[.008] 3 PLC ± - 4 PLC ± - ANGLES ± -		APPLICATION SPEC: -
MATERIAL: COPPER PER ASTM B-152 ANNEALED		WEIGHT: -
FINISH: SEE TABLE		SCALE: 2:1