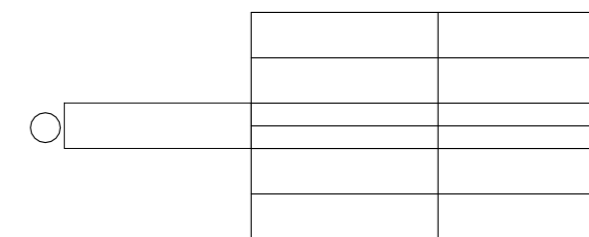
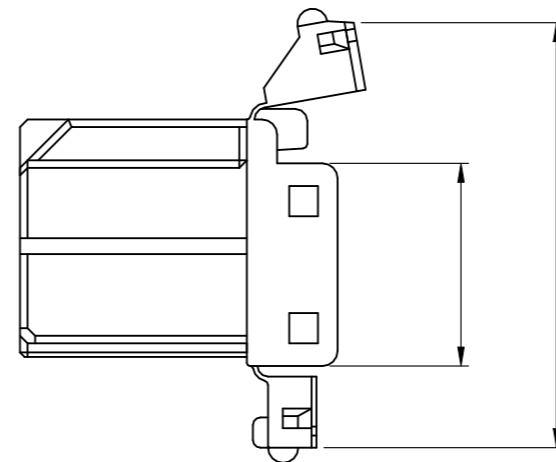
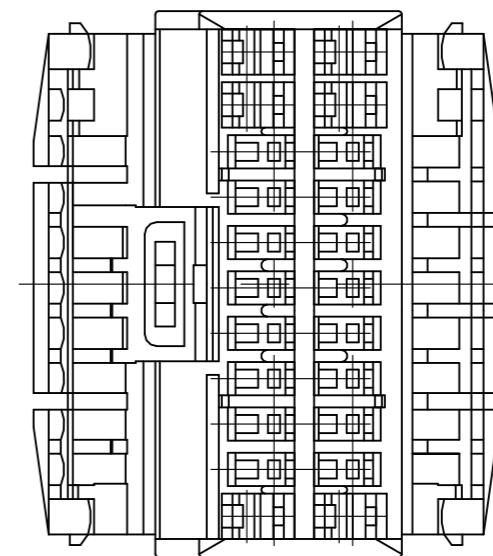
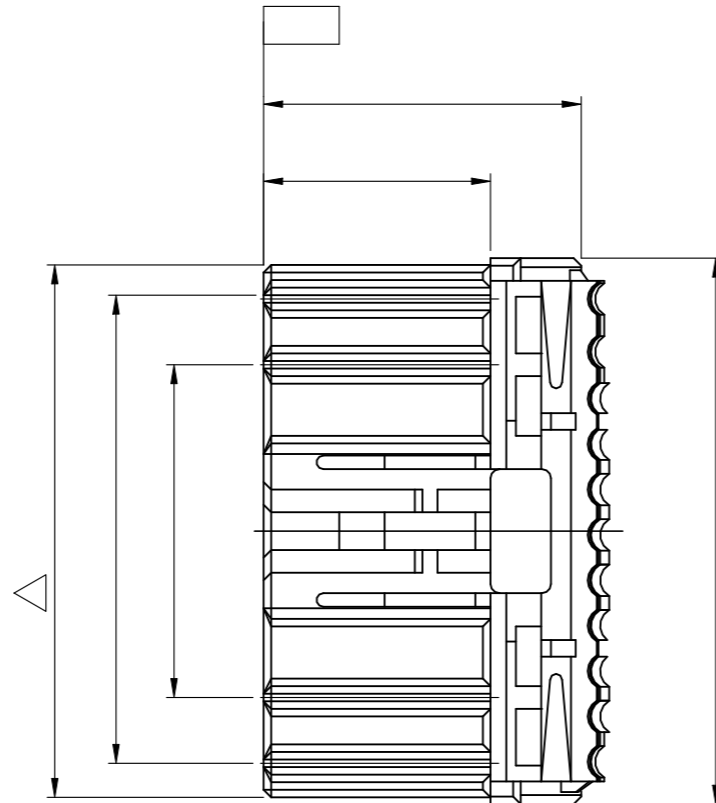
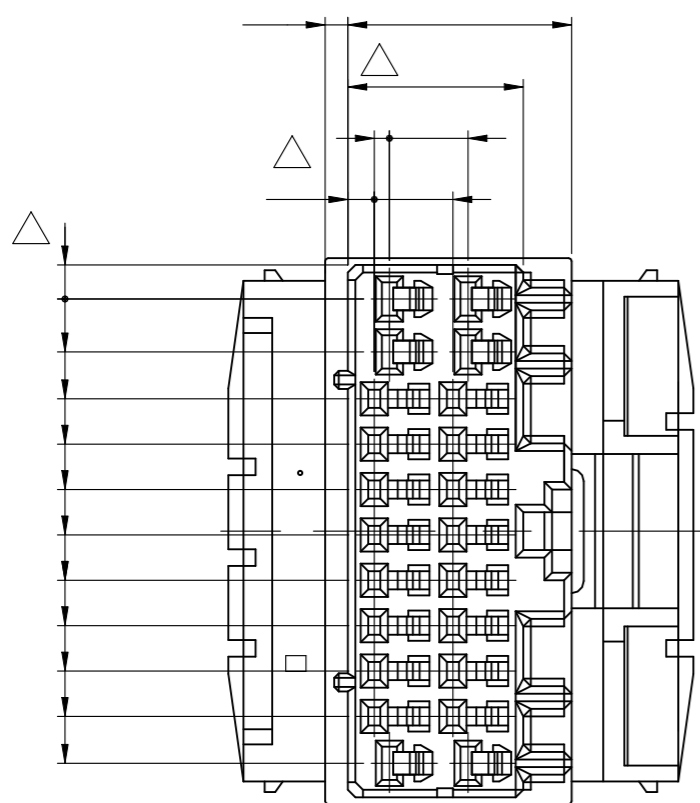


REVISIONS					
P	LTR	DESCRIPTION	DATE	DWN	APVD
	0	RELEASED(RD96--369)	25/NOV/'96	HS	CS
	A	REVISED(FC00-0084-03)	09/JUN/'03	HS	CS
	A1	REVISED PER ECR-23-177343	17MAY2023	RK	JT



THIS DRAWING IS A CONTROLLED DOCUMENT.

DIMENSIONS:	TOLERANCES UNLESS OTHERWISE SPECIFIED:
mm	
	0 PLC ± -
	1 PLC ± -
	2 PLC ± -
	3 PLC ± -
	4 PLC ± -
	ANGLES ± -

MATERIAL PBT

FINISH	-
--------	---

DWN	17MAY2023
CHK	-
APVD	-
PRODUCT SPEC	-
APPLICATION SPEC	-
WEIGHT	-

STE TE Connectivity			
NAME 22P PLUG HOUSING, HYBRID I/O CONN.			
SIZE	CAGE CODE	DRAWING NO	RESTRICTED TO
A3	00779	C-368135	-

CUSTOMER DRAWING	SCALE 2:1	SHEET 1 OF 1	REV A1
------------------	-----------	--------------	--------