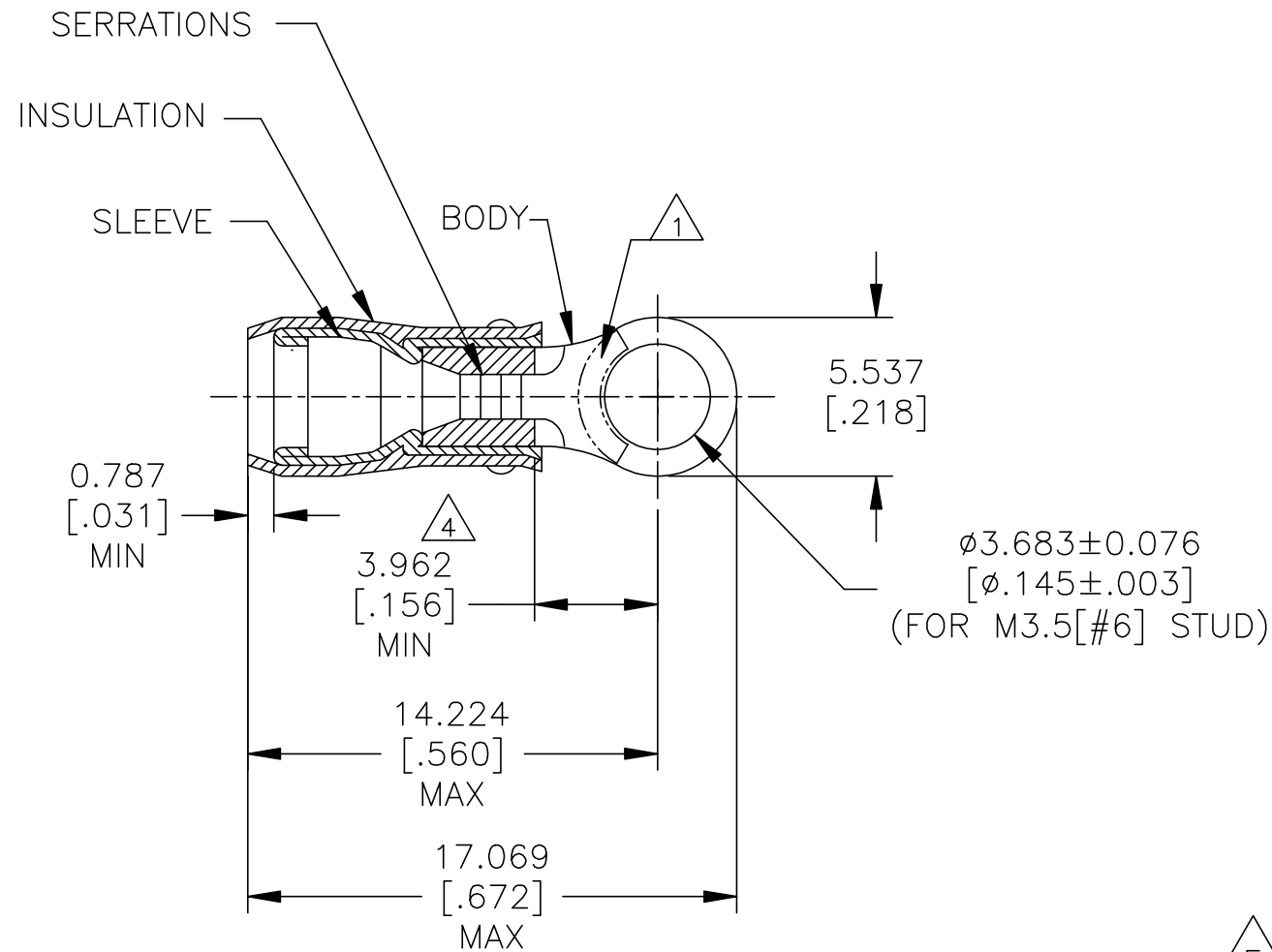


© - TE Connectivity. All Rights Reserved.

REVISIONS

P	LTR	DESCRIPTION	DATE	DWN	APVD
	W	REVISED PER ECR-23-175984	29MAY2023	BB	DSC

AMP WIRE RANGE	E13288 Listed	LR7189 Certified
22-16 AWG SOLID OR STRANDED	22-16 AWG STRANDED	22-16 AWG SOLID OR STRANDED



- STAMP AMP 22-18* APPROX AS SHOWN
22-16 TERMINALS ARE STAMPED 22-18 IN
ACCORDANCE WITH MILITARY SPEC SAE AS7928
COMMERCIAL WIRE RANGE IS 22-16.
- 2 WIRE INSULATION DIA : $\phi 2.032-3.175[\phi .080-.125]$
- 3 BODY MATERIAL THK: $0.787\pm 0.051[.031\pm .002]$
- APPLIES FROM EDGE OF METAL WIRE BARREL
TO CENTER OF STUD HOLE.
- UL LISTED
- CSA CERTIFIED
- MATERIAL:
BODY & SLEEVE - COPPER PER ASTM B152
INSULATION - NYLON
- FINISH:
BODY & SLEEVE - TIN PLATE $0.00254[.000100]$
MIN EXT THK PER ASTM B545
INSULATION COLOR - RED

	-	100	LOOSE PIECE, BOX	8-36149-1
	-	5000	ON TAPE, REEL	2-36149-2
	MS25036-101 CLASS 1	1000	LOOSE PIECE	36149
	MILITARY P/N AND CLASS	QUANTITY	PACKAGE TYPE	PART NO

AMP INCORPORATED
CUSTOMER SERVICE SYSTEMS

MAX RECOMMENDED OPERATING
TEMPERATURE:
105°C[221°F] MAX

THIS DRAWING IS A CONTROLLED DOCUMENT.

DWN DK SCHRUM 9/8/93

TE Connectivity Ltd.

FOR ADDITIONAL
PRODUCT INFORMATION OR
COPIES OF DRAWINGS
AND TECHNICAL DOCUMENTS

PRODUCT INFORMATION CENTER
1-800-522-6752

VOLTAGE RATING:
300 V MAX

DIMENSIONS:
mm[INCHES]

TOLERANCES UNLESS
OTHERWISE SPECIFIED:

CHK RE HERSEY 9/8/93

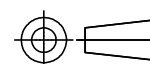
APVD ML ELLIS 9/8/93

NAME
TERMINAL, RING TONGUE,
PIDG™, WIRE SIZE, 22-16 AWG

FOR APPLICATION
TOOLING INFORMATION

TOOLING ASSISTANCE CENTER
1-800-722-1111

CIRCULAR MIL AREA:
 $0.26-1.65\text{mm}^2[509-3,260]$ CIR MILS
SOLID OR STRANDED



0 PLC ± -
1 PLC ± -
2 PLC ± -
3 PLC ± 0.127[.005]
4 PLC ± -
ANGLES ± -

PRODUCT SPEC

UL 486A-B

APPLICATION SPEC

114-2157

SIZE CAGE CODE DRAWING NO RESTRICTED TO

FOR ORDER ENTRY
1-800-526-5142

1-800-526-5142



WEIGHT

CUSTOMER DRAWING


A3 00779 C=36149

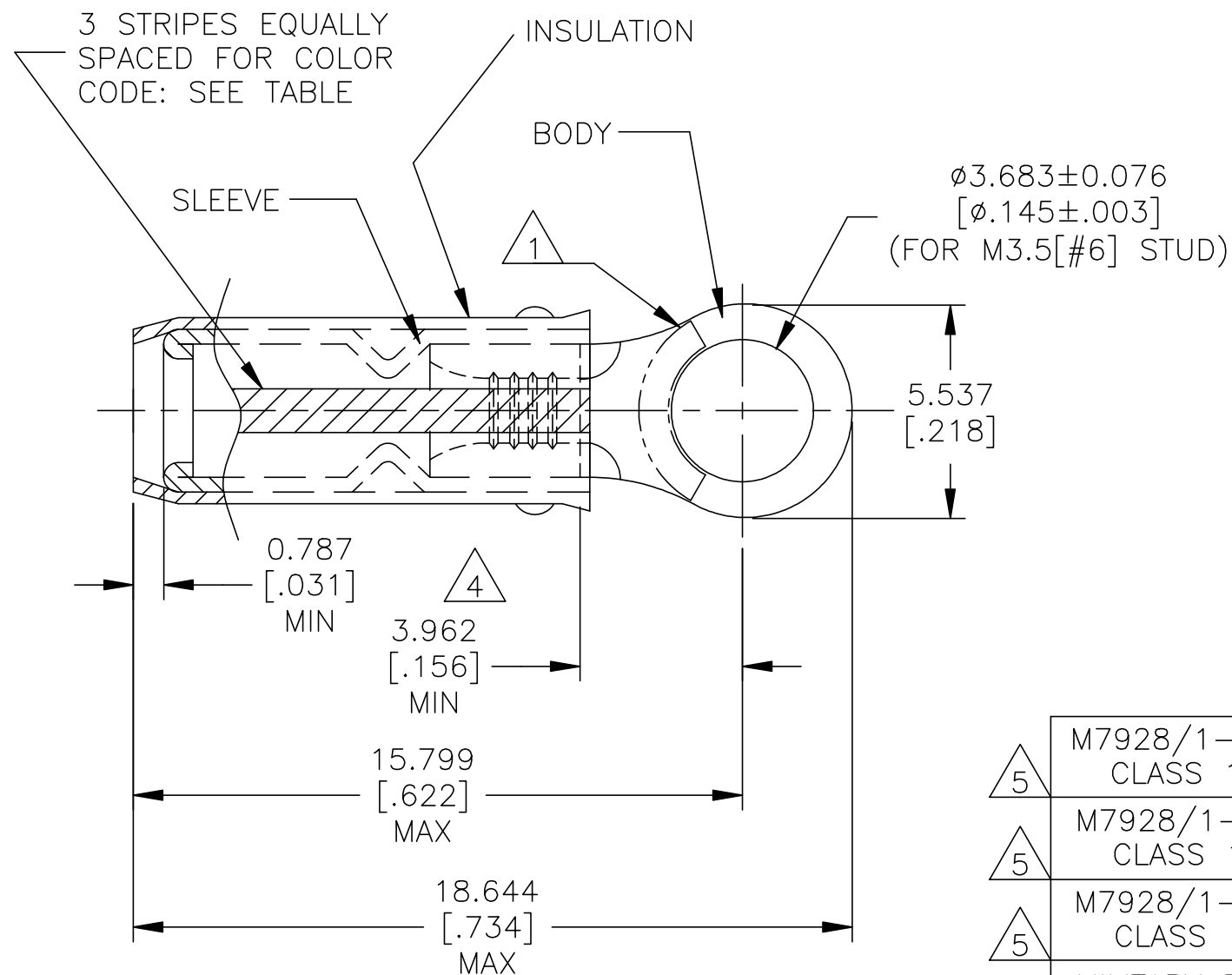
SCALE NTS SHEET 1 OF 2 REV W

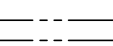
© - TE Connectivity. All Rights Reserved.


REVISIONS

P	LTR	DESCRIPTION	DATE	DWN	APVD
-	-	SEE SHEET 1	-	-	-

AMP WIRE RANGE	 LR 7189 Certified
SEE TABLE STRANDED	WIRE SIZE PER TABLE STRANDED



- 1 STAMP AMP  APPROX AS SHOWN SEE TABLE BELOW.
- 2 WIRE INSULATION DIA : ø0.965–2.794[ø.038–.110] FOR 22 AWG
ø1.168–2.794[ø.046–.110] FOR 20 AWG
ø1.422–2.794[ø.056–.110] FOR 18 AWG.
- 3 BODY MATERIAL THK: 0.787±0.051[.031±.002]
- 4 APPLIES FROM EDGE OF METAL WIRE BARREL TO CENTER OF STUD HOLE.
- 5 CSA CERTIFIED
- 6 MATERIAL:
BODY & SLEEVE – COPPER PER ASTM B152
INSULATION – NYLON
- 7 FINISH:
BODY & SLEEVE – TIN PLATE 0.00254[.000100] MIN EXT THK PER ASTM B545
INSULATION COLOR – RED

5	M7928/1-30 CLASS 1	WHITE	18*	18	1000	LOOSE PIECE	2-36149-5
5	M7928/1-21 CLASS 1	RED	20*	20	1000	LOOSE PIECE	2-36149-4
5	M7928/1-12 CLASS 1	GREEN	22*	22	1000	LOOSE PIECE	2-36149-3
	MILITARY P/N AND CLASS	STRIPE COLOR		WIRE SIZE	QUANTITY	PACKAGE TYPE	PART NO

AMP INCORPORATED
CUSTOMER SERVICE SYSTEMS

MAX RECOMMENDED OPERATING
TEMPERATURE:
105°C[221°F] MAX

THIS DRAWING IS A CONTROLLED DOCUMENT.

DWN 9/8/93
DK SCHRUM

 TE Connectivity Ltd.

FOR ADDITIONAL
PRODUCT INFORMATION OR
COPIES OF DRAWINGS
AND TECHNICAL DOCUMENTS

PRODUCT INFORMATION CENTER
1-800-522-6752

VOLTAGE RATING: 300 V MAX

DIMENSIONS:
mm[INCHES]

TOLERANCES UNLESS
OTHERWISE SPECIFIED:

CHK 9/8/93
RE HERSEY

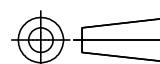
NAME
TERMINAL, RING TONGUE,
I.R., PIDG™
WIRE SIZE, 22, 20 & 18 AWG

FOR APPLICATION
TOOLING INFORMATION

TOOLING ASSISTANCE CENTER
1-800-722-1111

WIRE RANGE:	CIRC MIL AREA:
22	0.38mm ² [754]
20	0.60mm ² [1,186]
18	0.96mm ² [1,900]

STRANDED



0 PLC	± -
1 PLC	± -
2 PLC	± -
3 PLC	± 0.127[.005]
4 PLC	± -
ANGLES	± -

APVD 9/8/93
ML ELLIS

PRODUCT SPEC

APPLICATION SPEC
114-2157

WEIGHT -

SIZE	CAGE CODE	DRAWING NO	RESTRICTED TO
A3	00779	C-36149	-

FOR ORDER ENTRY
1-800-526-5142



CUSTOMER DRAWING

SCALE NTS SHEET 2 OF 2 REV W