

4

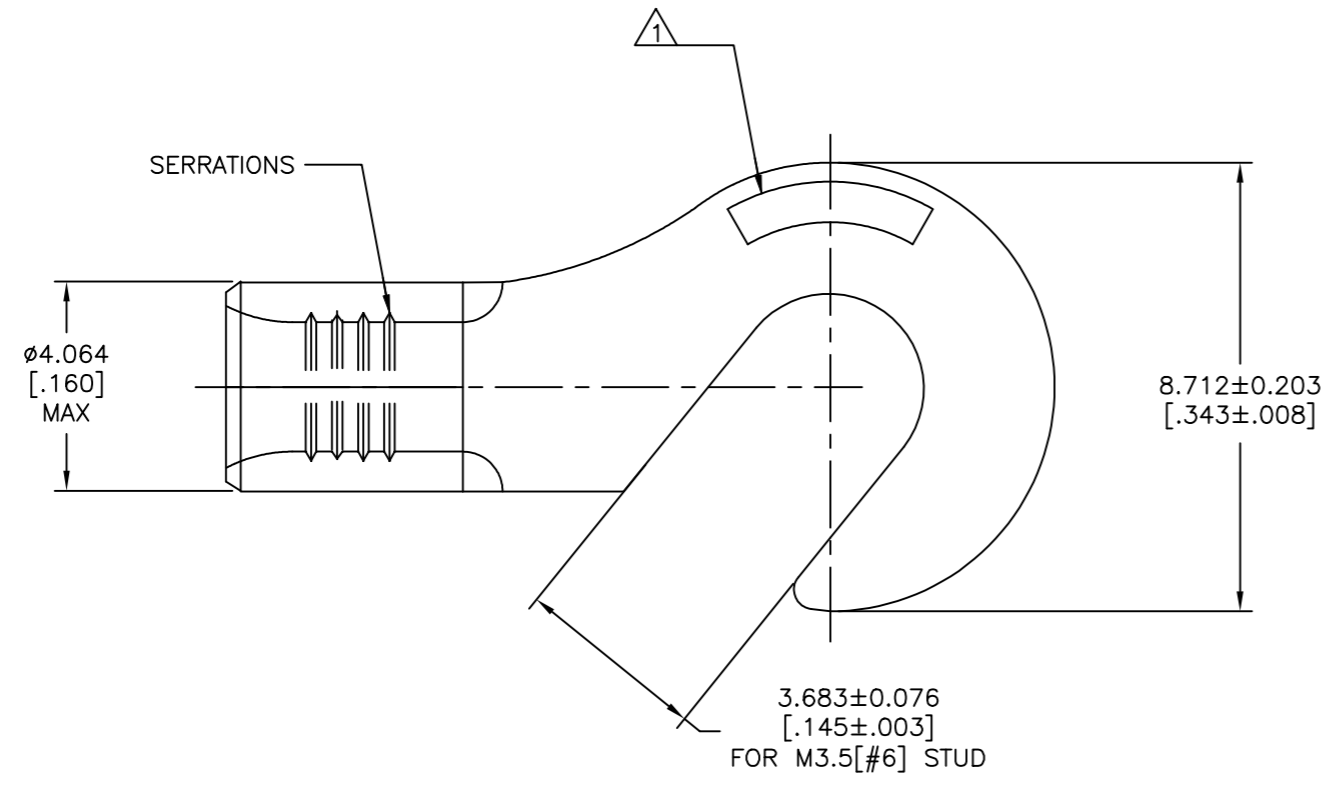
3

2

1

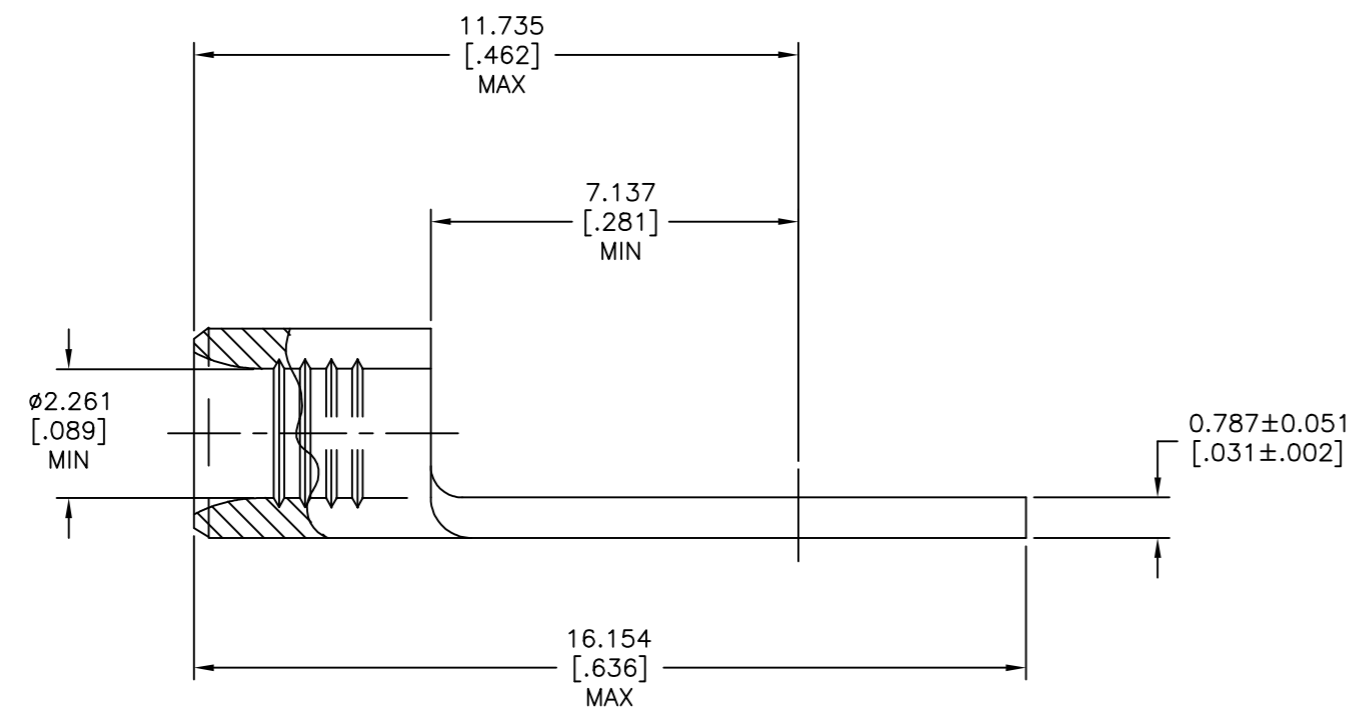
THIS DRAWING IS UNPUBLISHED. RELEASED FOR PUBLICATION
 © COPYRIGHT - TE Connectivity Ltd. ALL RIGHTS RESERVED.

REVISIONS					
P	LTR	DESCRIPTION	DATE	DWN	APVD
B		REV PER ECR-10-007996	9APRIL2010	RG	TM
B1		REVISED PER ECO-19-000773	17JAN2019	RS	DR



AMP WIRE RANGE	E13288 Listed
16-14 AWG STRANDED	16-14 AWG STRANDED

- 1 STAMP AMP 16-14*, APPROX. AS SHOWN
- 2 RECOMMENDED OPERATING TEMPERATURE: 170°C [338°F] MAX
- 3 WIRE CROSS SECTIONAL AREA RANGE: 1.04-2.62mm² [2,050-5,180 CIRCULAR MIL AREA] STRANDED
- 4 MATERIAL: COPPER PER ASTM B-152 ANNEALED
- 5 FINISH: TIN PLATE 0.00254 [.000100] MIN THK PER ASTM-B545



1000	LOOSE PIECE	35212
QTY	PACKAGE TYPE	PART NO.

THIS DRAWING IS A CONTROLLED DOCUMENT.		DWN R.GRZYBOWSKI 19APR2010	TE Connectivity Ltd.	
DIMENSIONS: mm [INCHES]		CHK T.MICHIELUTI 19APRIL2010		
TOLERANCES UNLESS OTHERWISE SPECIFIED:		APVD M.PECHERKE 19APRIL2010	NAME TERMINAL, HOOK TONGUE	
0 PLC ± -		PRODUCT SPEC	BUDGET	
1 PLC ± -		APPLICATION SPEC	16-14 AWG	
2 PLC ± -		SIZE	CAGE CODE	DRAWING NO
3 PLC ± 0.127[.005]		A2	00779	C-35212
4 PLC ± -		WEIGHT	RESTRICTED TO	
ANGLES ± -		CUSTOMER DRAWING	SCALE 10:1	SHEET 1 of 1
MATERIAL 4		FINISH 5	REV B1	

35212