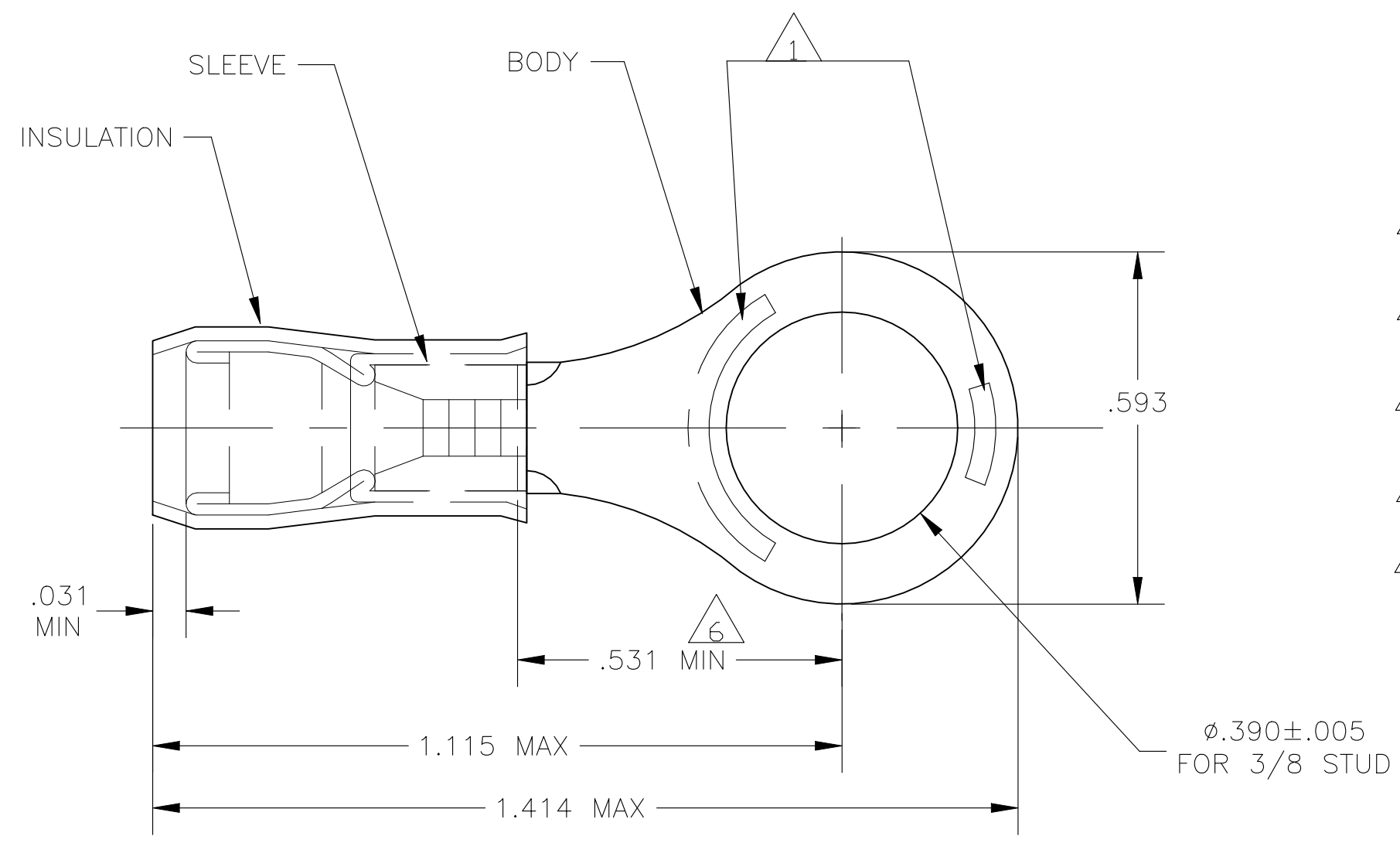


© - TE Connectivity. All Rights Reserved.

REVISIONS				
P	LTR	DESCRIPTION	DATE	APVD
	G5	REVISED PER ECN-22-156403	03JUN2022	RK CSD



- 1 STAMP AMP 12-10* 6-9 APPROX AS SHOWN
- 2 WIRE INSULATION DIA: .150-.250
- 3 TONGUE MATERIAL THK: .039±.002
- 4 BODY & SLEEVE: TIN PLATE PER ASTM B545
- 5 BODY & SLEEVE- CU PER ASTM B152 INSULATION - NYLON, COLOR - YELLOW
- 6 APPLIES FROM EDGE OF METAL WIRE BARREL TO CENTER OF STUD HOLE.
- 7 SUPERSEDED BY 8-35112-1
- 8 MEETS MS25036-114, CLASS 1

-5	LOOSE PIECE, BOX	7-35112-4	7
-25	LOOSE PIECE, BOX	8-35112-4	7
100	LOOSE PIECE, BOX	8-35112-1	
1000	TAPE & REEL	2-35112-2	
500	LOOSE PIECE	35112	8
QTY	PACKAGE TYPE	PART NO	

AMP INCORPORATED CUSTOMER SERVICE SYSTEMS		MAX RECOMMENDED OPERATING TEMPERATURE: 105°C MAX	THIS DRAWING IS A CONTROLLED DOCUMENT.		DWN JR RUTH 22MAR07	TE Connectivity NAME TERMINAL, RING TONGUE, P.I.D.G. WIRE SIZE: 12-10 AWG					
FOR ADDITIONAL PRODUCT INFORMATION OR COPIES OF DRAWINGS AND TECHNICAL DOCUMENTS	PRODUCT INFORMATION CENTER 1-800-522-6752	VOLTAGE RATING: 300 VOLT MAX	DIMENSIONS: INCHES	TOLERANCES UNLESS OTHERWISE SPECIFIED:	CHK T MICHELUTTI 22MAR07					APVD T MICHELUTTI 22MAR07	SIZE
FOR APPLICATION TOOLING INFORMATION	TOOLING ASSISTANCE CENTER 1-800-722-1111	CIRCULAR MIL AREA: 2.62-6.64mm ² [5,180-13,100] STRANDED OR SOLID		0 PLC ± - 1 PLC ± - 2 PLC ± - 3 PLC ± .008 4 PLC ± - ANGLES ± -	APVD T MICHELUTTI 22MAR07	PRODUCT SPEC	—	—	—	—	
FOR ORDER ENTRY	1-800-526-5142	THIS DRAWING IS A CONTROLLED DOCUMENT FOR AMP INCORPORATED. IT IS SUBJECT TO CHANGE AND THE CONTROLLING ENGINEERING ORGANIZATION SHOULD BE CONTACTED FOR THE LATEST REVISION.	MATERIAL	FINISH	—	APPLICATION SPEC	—	—	—	—	
			5	4	WEIGHT	—	A3	00779	C-35112	—	
CUSTOMER DRAWING						SCALE	4:1	SHEET	1 OF 1	REV	G5