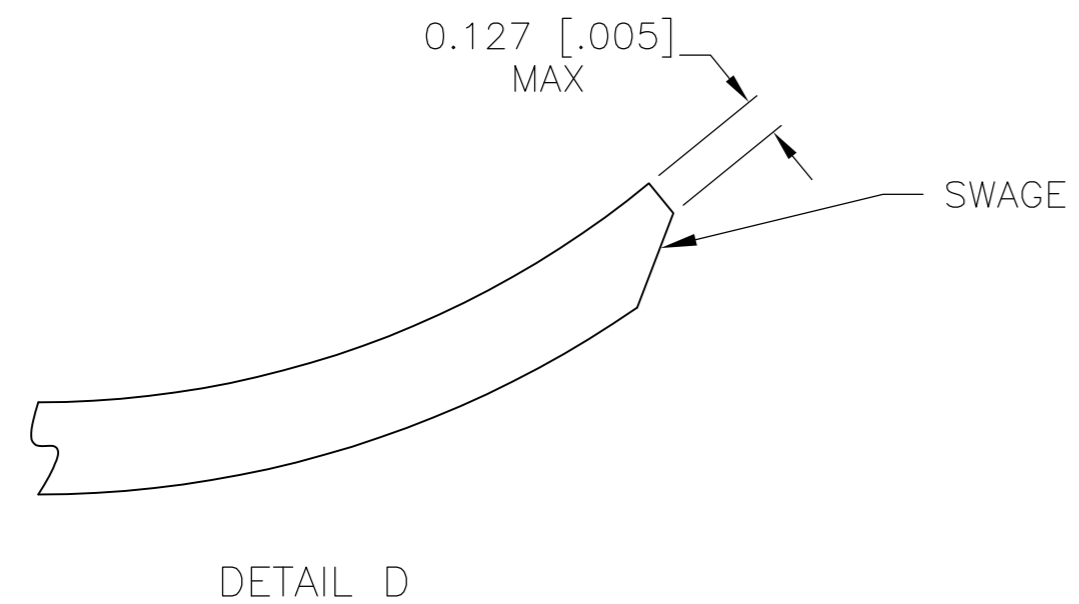
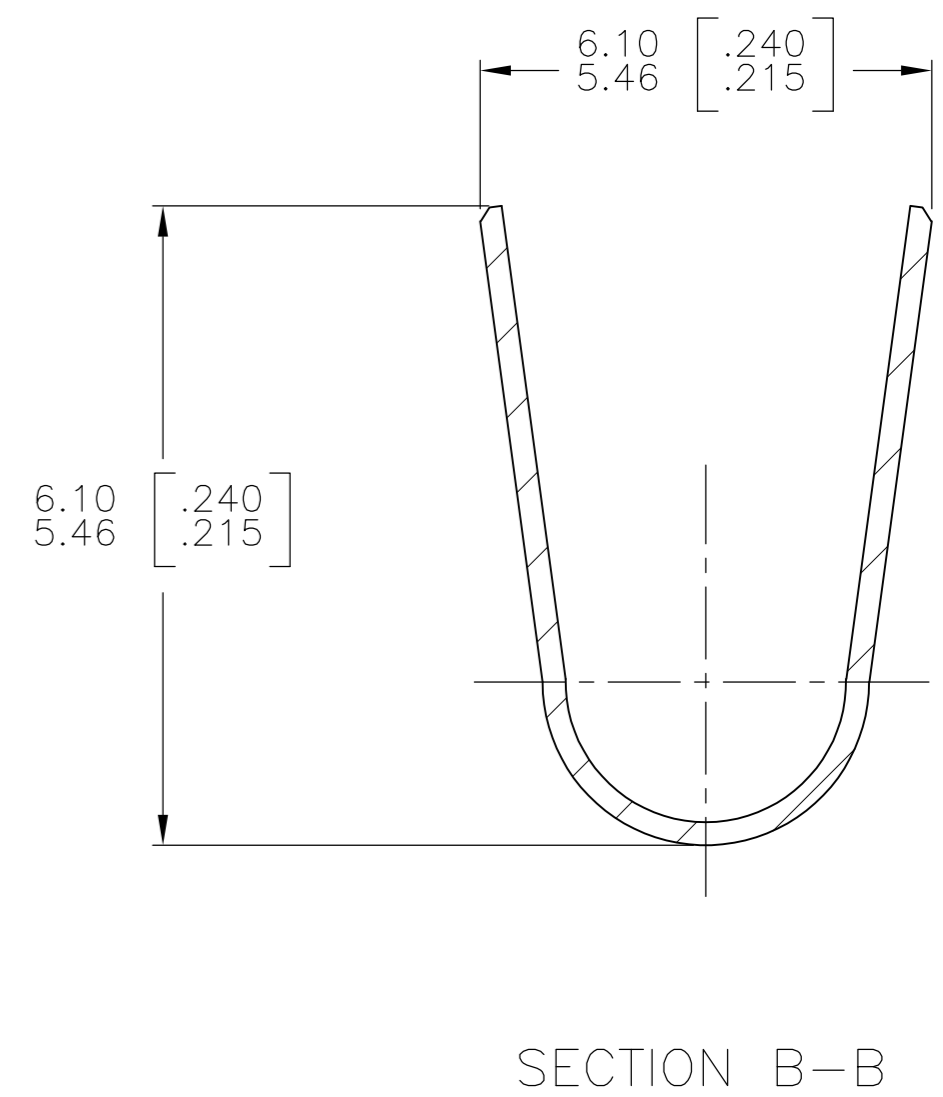
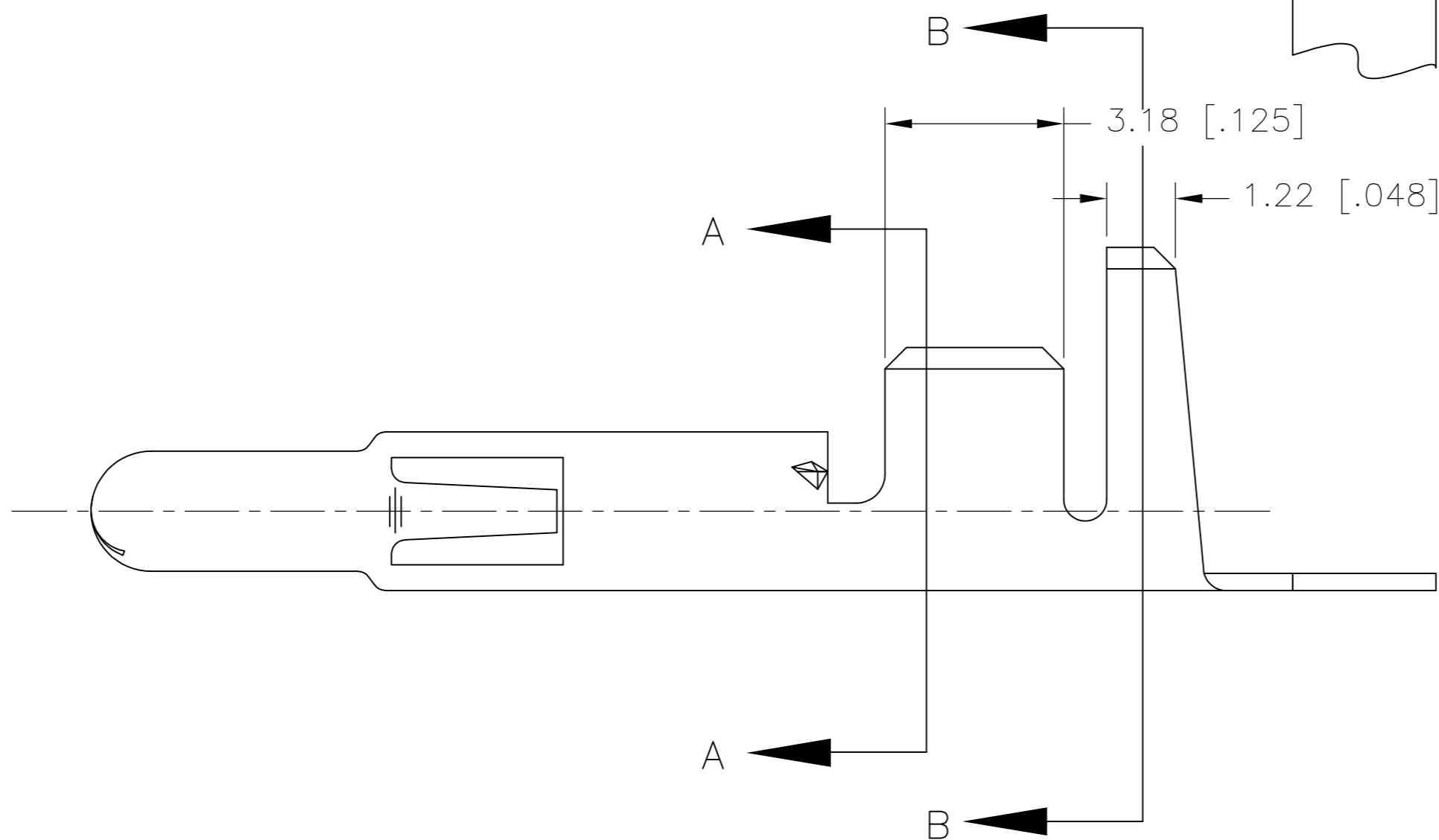
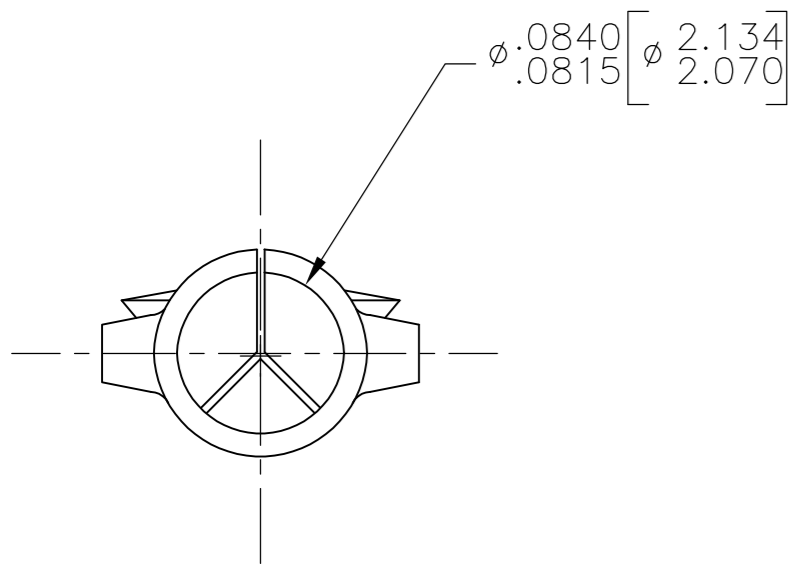
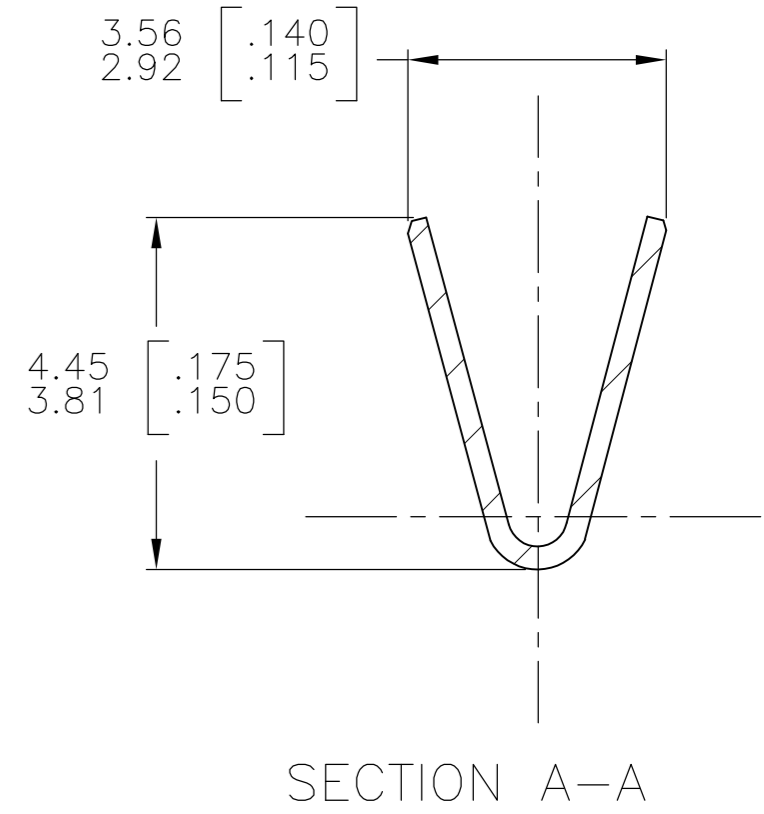
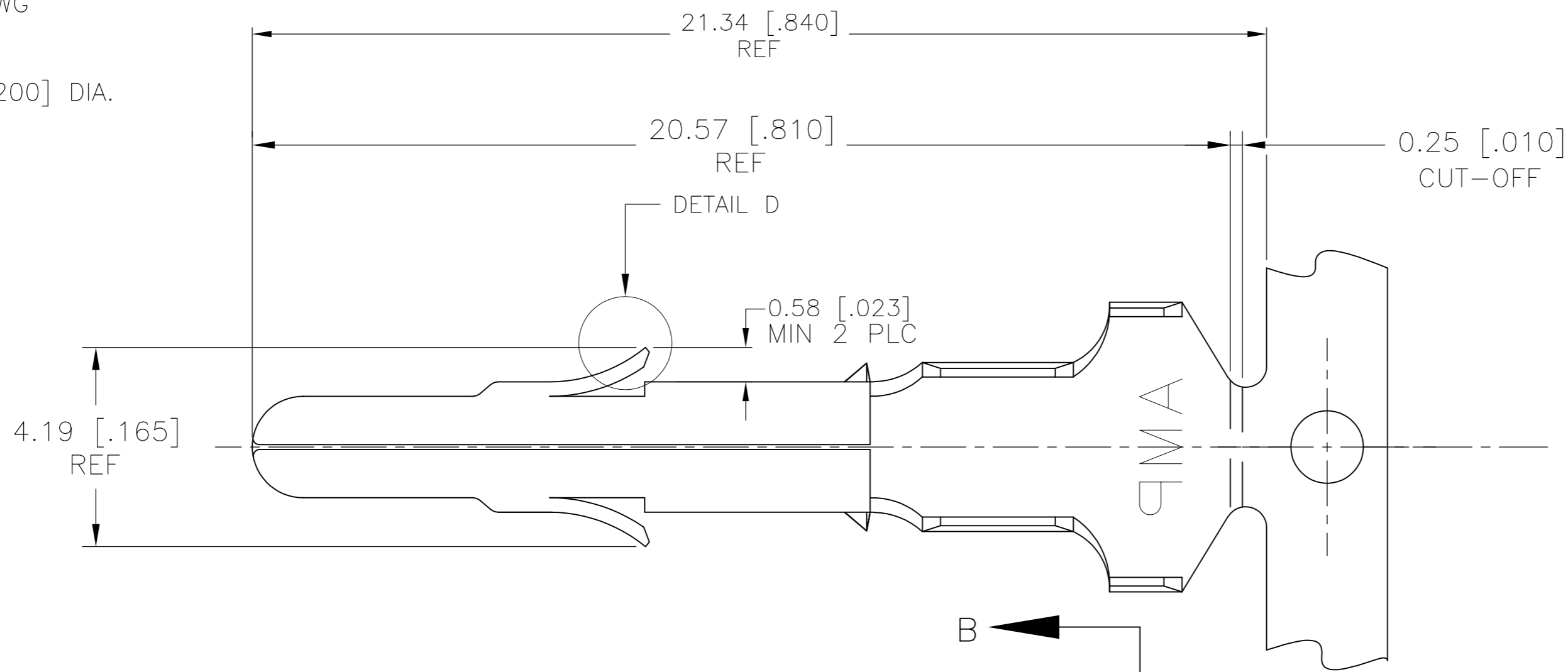


THIS DRAWING IS UNPUBLISHED. RELEASED FOR PUBLICATION
 © COPYRIGHT - By - ALL RIGHTS RESERVED.

LOC		DIST		REVISIONS			
P	LTR	DESCRIPTION		DATE	DWN	APVD	
CM	00	V1	REVISED PER ECR-18-000509	17JAN2018	BDA	KR	

- 1 WIRE RANGE: 18-14 AWG
- 2 INSULATION RANGE:
3.30-5.08 [.130-.200] DIA.



LOOSE PIECE REFERENCE	FINISH	MATERIAL	PART NUMBER
350918-3	PRE-TIN	.012 PH. BRZ.	350873-3
---	PRE-TIN	.012 BRASS	350873-1

THIS DRAWING IS A CONTROLLED DOCUMENT.		DWN S. HOOVER 04-FEB-2003	TE Connectivity	
DIMENSIONS: mm [INCHES]		CHK S. RIDGILL 04-FEB-2003		
TOLERANCES UNLESS OTHERWISE SPECIFIED:		APVD S. RIDGILL 04-FEB-2003	NAME PIN, UNIVERSAL MATE-N-LOK™	
0 PLC ±		PRODUCT SPEC	SIZE A2	
1 PLC ±		APPLICATION SPEC	CAGE CODE 00779	
2 PLC ±		WEIGHT	DRAWING NO C=350873	
3 PLC ± 0.38 [.015]		CUSTOMER DRAWING	RESTRICTED TO -	
4 PLC ±		SCALE 10:1	SHEET 1 OF 1	
ANGLES ± 0°30'		SCALE 10:1	REV V1	
FINISH				