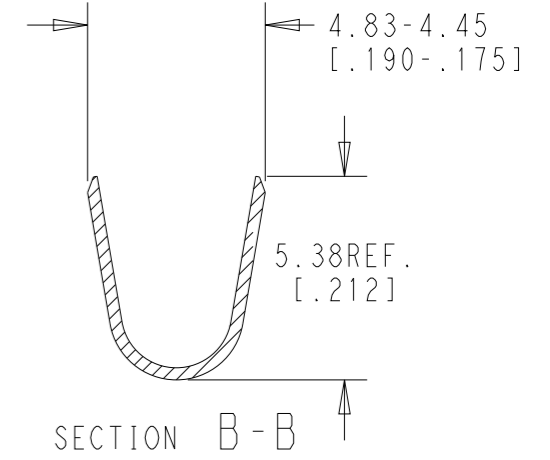
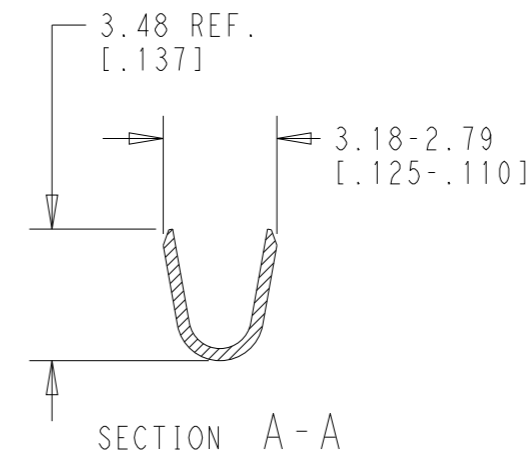
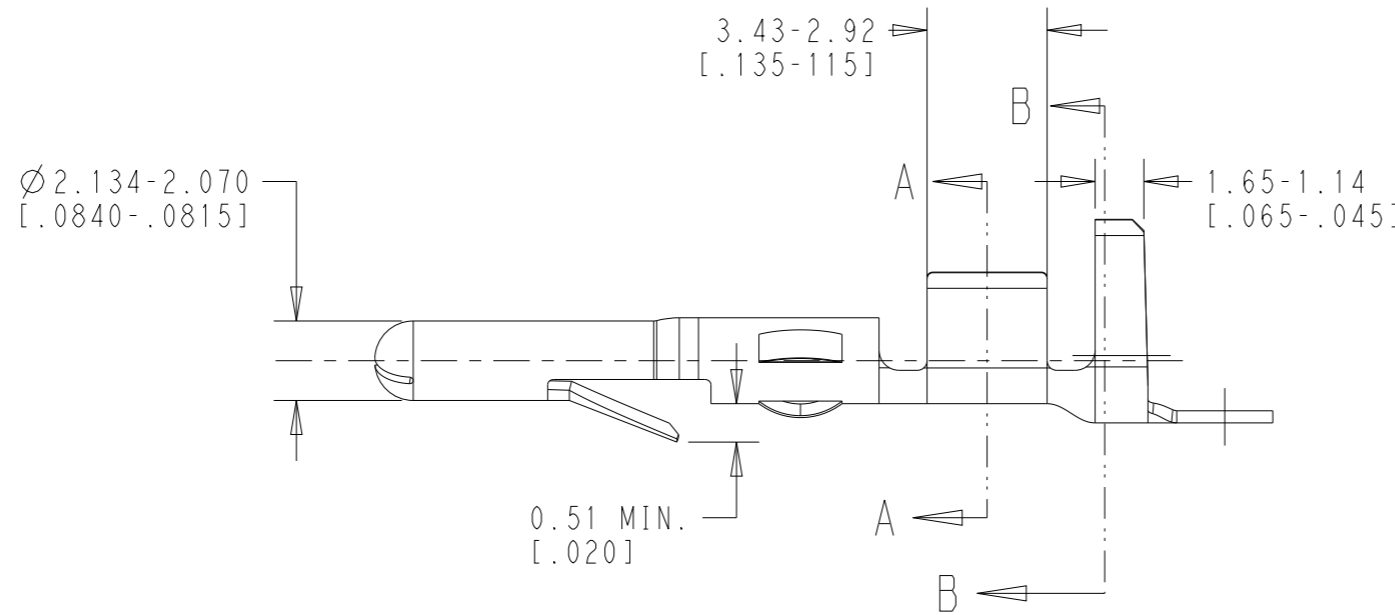
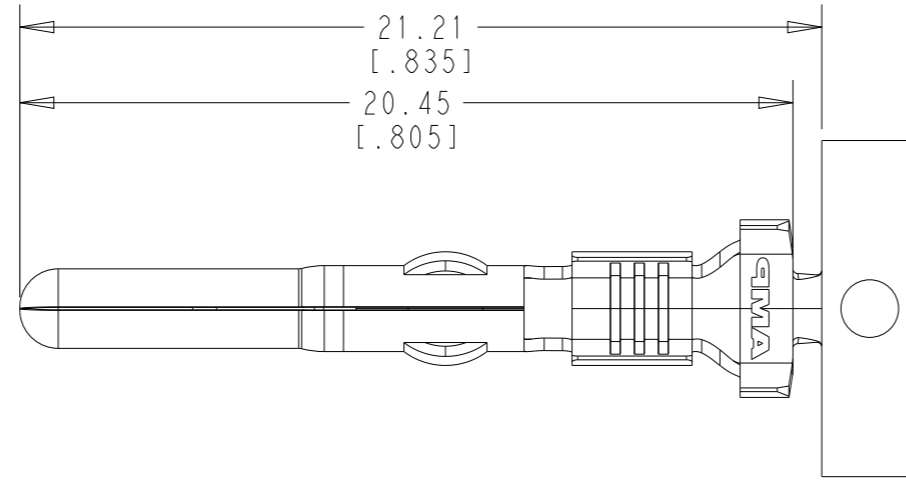
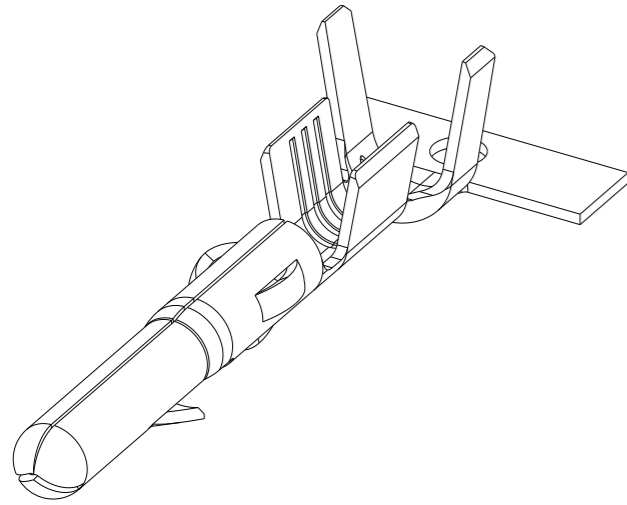


P	LTR	DESCRIPTION	DATE	DWN	APVD
	L1	REVISED PER ECR-12-013810	24SEP2012	JR	TM
	L2	REVISED PER ECN-23-233438	02OCT2023	WLS	VS



NOTES:

1. WIRE RANGE: 2 WIRES OF 0.8-0.9 mm² [18 AWG] OR 1 WIRE OF 0.8 - 0.9 mm² [18 AWG] AND 1 WIRE OF 1.25 - 1.4 mm² [16 AWG].
2. INSULATION RANGE: 2 WIRES OF 2.92 [.115] MAX DIA EACH, STACKED.
3. DIMENSIONS IN BRACKETS ARE IN INCHES.

PRE-TIN	0.30 [.012] PH BRZ	350558-4
PRE-TIN	0.30 [.012] BRASS	350558-1
FINISH	MATERIAL	PART NO

THIS DRAWING IS A CONTROLLED DOCUMENT.		DWN T. BECK 20JAN1993												
DIMENSIONS: mm [INCHES]		CHK R. SWING 20JAN1993												
TOLERANCES UNLESS OTHERWISE SPECIFIED:		APVD C. MARTIN 20JAN1993												
<table border="1"> <tr> <td>0 PLC</td> <td>±-</td> </tr> <tr> <td>1 PLC</td> <td>±-</td> </tr> <tr> <td>2 PLC</td> <td>±0.25 [.010]</td> </tr> <tr> <td>3 PLC</td> <td>±-</td> </tr> <tr> <td>4 PLC</td> <td>±-</td> </tr> <tr> <td>ANGLES</td> <td>±1°</td> </tr> </table>		0 PLC			±-	1 PLC	±-	2 PLC	±0.25 [.010]	3 PLC	±-	4 PLC	±-	ANGLES
0 PLC	±-													
1 PLC	±-													
2 PLC	±0.25 [.010]													
3 PLC	±-													
4 PLC	±-													
ANGLES	±1°													
MATERIAL SEE TABLE	FINISH SEE TABLE	APPLICATION SPEC 114-1012	NAME PIN COMMERCIAL MATE-N-LOK	RESTRICTED TO										
		WEIGHT -	SIZE A3	CAGE CODE 00779										
		CUSTOMER DRAWING	DRAWING NO C-350558											
			SCALE 5:1	SHEET 1 OF 1										
				REV L2										