

C345807

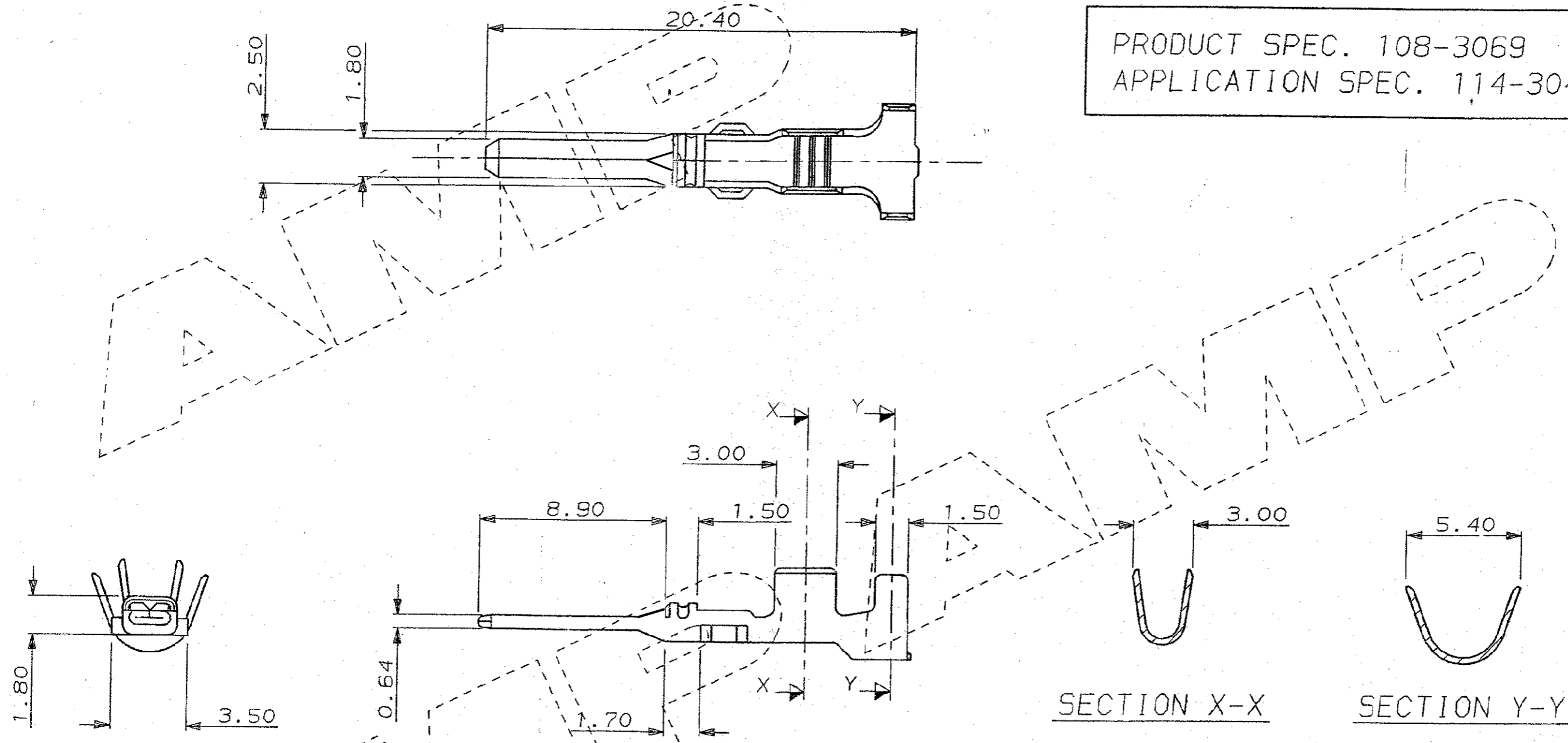
C.A.D. FILE CODE

DO NOT SCALE

DIMENSIONS IN MM.



PRODUCT SPEC. 108-3069
APPLICATION SPEC. 114-3040



WIRE RANGE: 0.75 TO 2.00 MM²
FOR SEALED APPLICATIONS, SINGLE WIRES ONLY MUST BE USED.
FOR UNSEALED APPLICATIONS, SINGLE WIRES ARE SUITABLE FOR THE RANGE 0.75 TO 2.00 MM² OR DOUBLE WIRES 2 X 0.50 MM² ONLY.

INSULATION RANGE: SINGLE WIRES 1.65 TO 2.70 MM DIA. OR DOUBLE WIRES 2 X 1.6 MM DIA. ONLY. THIN WALLED CABLE TO BE USED.

PRE-TINNED		BRASS		345807-1					
FINISH		MATERIAL		PART NUMBER					
CUSTOMER DWG FOR REFERENCE ONLY			© COPYRIGHT 1990 BY AMP OF GREAT BRITAIN LTD. ALL INTERNATIONAL RIGHTS RESERVED. ALL PRODUCTS MAY BE COVERED BY BRITISH AND FOREIGN PATENTS AND/OR PATENTS PENDING.						
A1 ECR-18-012032 SCK 02AUG2018			DR. R. S. 14.9.90						
A E600-0044-01			CH. R. J. S. APP. J. P.						
2 REL. TO CUST. CS863 8.8.91			TE Connectivity						
1 PRELIM. ISSUE - 14.9.90			.070 TAB ECONOSEAL 3						
REV	APPROVED	ECN	DATE	SCALE	LOC	SIZE	DWG. No.	REV	SHEET
				5/1	E	A3	C345807	A1	1/1