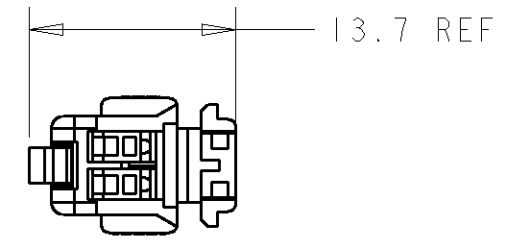
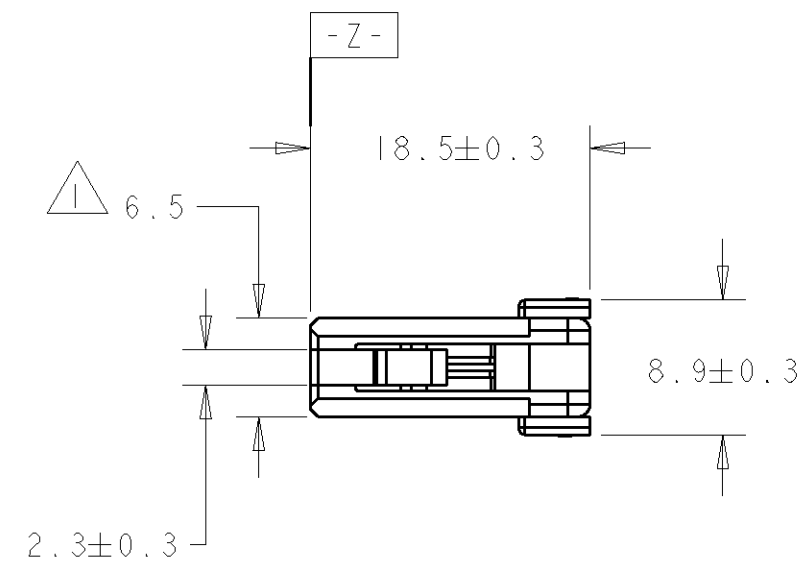
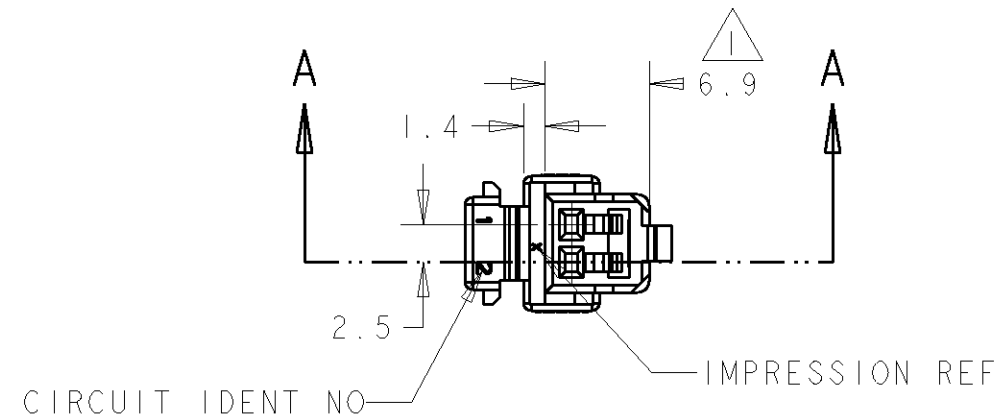


THIS DRAWING IS UNPUBLISHED. RELEASED FOR PUBLICATION 20  
 © COPYRIGHT 20 BY TYCO ELECTRONICS CORPORATION. ALL RIGHTS RESERVED.

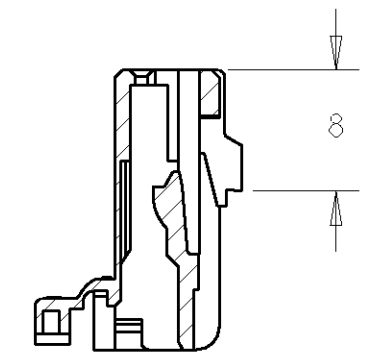
LOC	DIST	REVISIONS				
P	LTR	DESCRIPTION	DATE	DWN	APVD	
E	B	0	EB00-0527-94	17/10/94	MM MJW	
		A	EBA0-0009-04	28/02/04	MJG BB	
		A1	OBSOLETE VARIANT 345166-5	11APR2022	JS SCK	



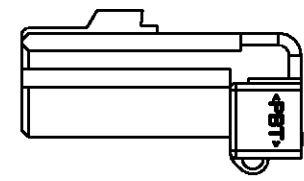
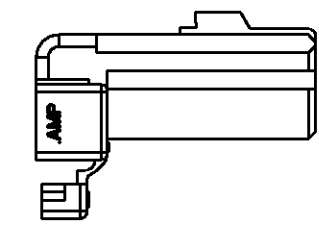
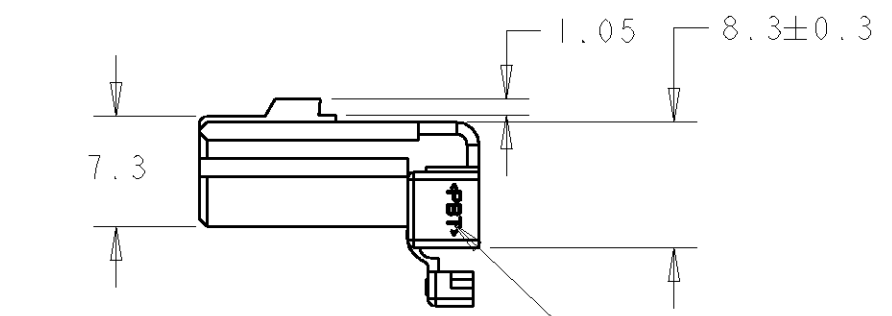
CIRCUIT IDENT NO

IMPRESSION REF

MATERIAL CODE



SECTION A-A




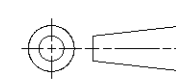
HINGE LOCKED

⚠ TO BE MEASURED WITHIN 2.0 OF -Z-

- 2. APPLICABLE 040 RECEPTACLE CONTACT 345160
- 3. MATING CAP HOUSING 345176
- 4. THIS PART SIMILAR TO 174056

OBSOLETE	BLUE	PBT	345166-5
	GREEN	PBT	345166-4
	BLACK	PBT	345166-2
	COLOUR	MATERIAL	PART NO

THIS DRAWING IS A CONTROLLED DOCUMENT FOR TYCO ELECTRONICS CORPORATION IT IS SUBJECT TO CHANGE AND THE CONTROLLING ENGINEERING ORGANIZATION SHOULD BE CONTACTED FOR THE LATEST REVISION.

DIMENSIONS: mm		TOLERANCES UNLESS OTHERWISE SPECIFIED:		DWN M. GREENER 28FEB2004	 TE Connectivity
		0 PLC ±-		CHK M. HARRIS 28FEB2004	
		1 PLC ±0.5		APVD B. BAKER 28FEB2004	
MATERIAL -		FINISH -		PRODUCT SPEC 108-3146	
				APPLICATION SPEC 114-3122	NAME 2 WAY PLUG HOUSING
				WEIGHT -	SIZE A3
				CUSTOMER DRAWING	CAGE CODE 00779
					DRAWING NO 345166
					RESTRICTED TO -
					SCALE 3:1
					SHEET 1
					OF 1
					REV A1