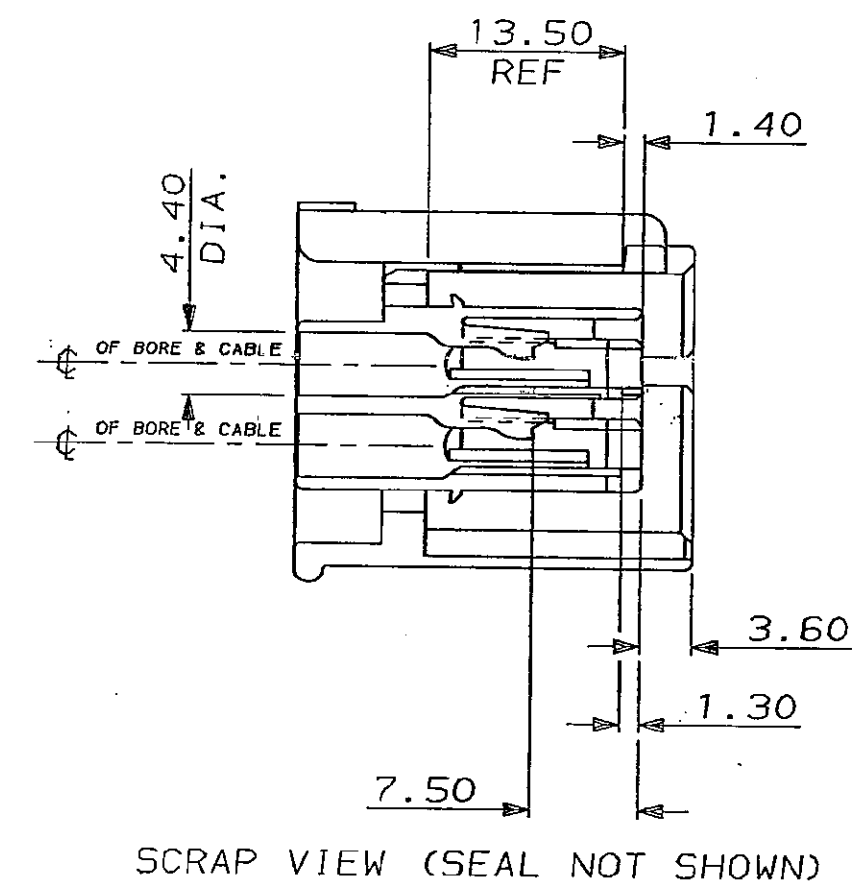
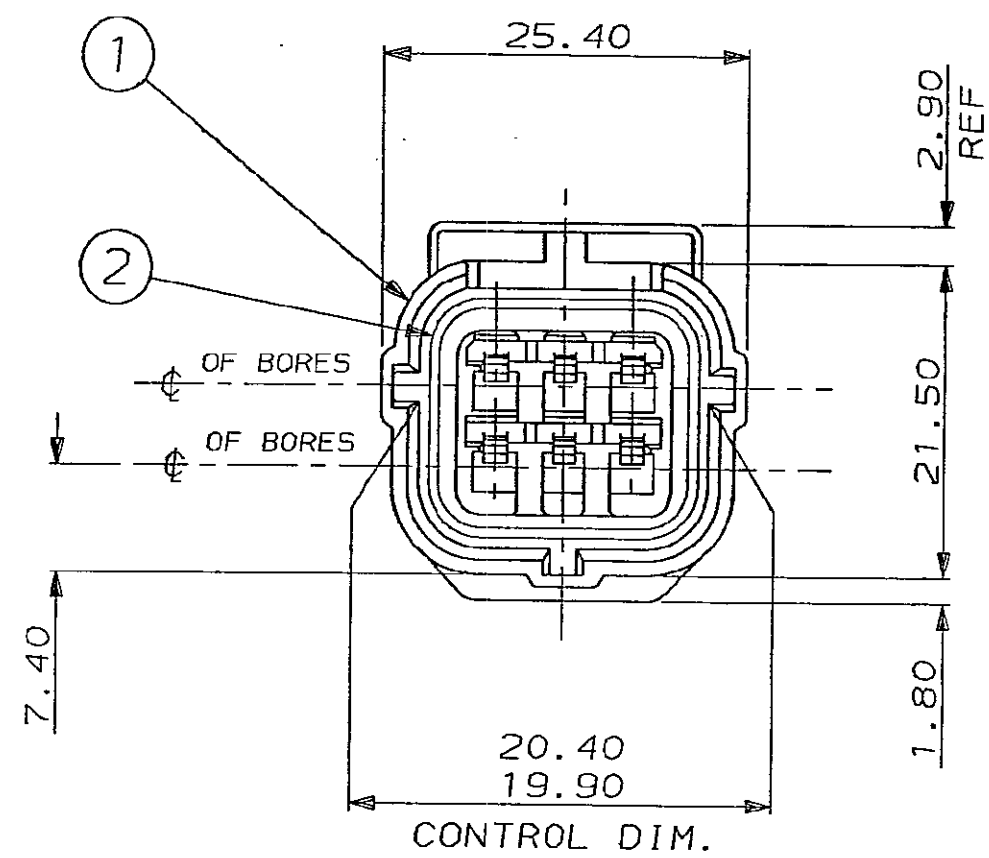
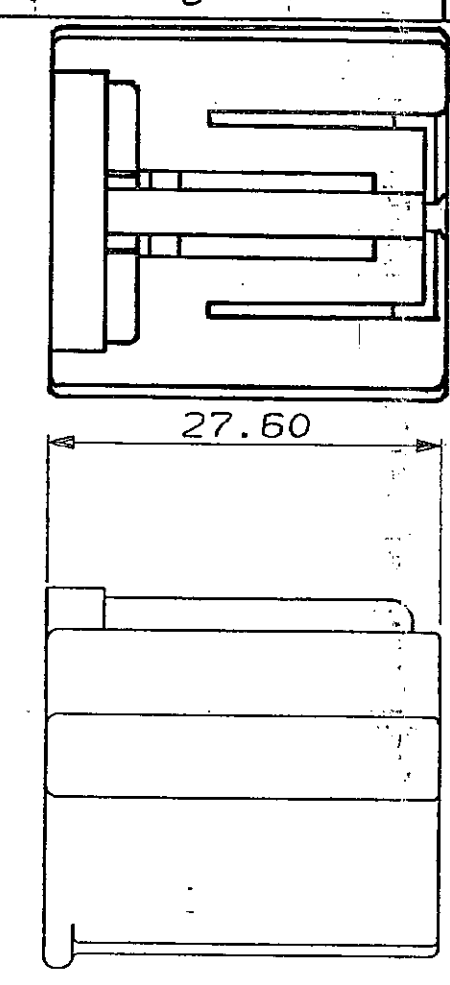
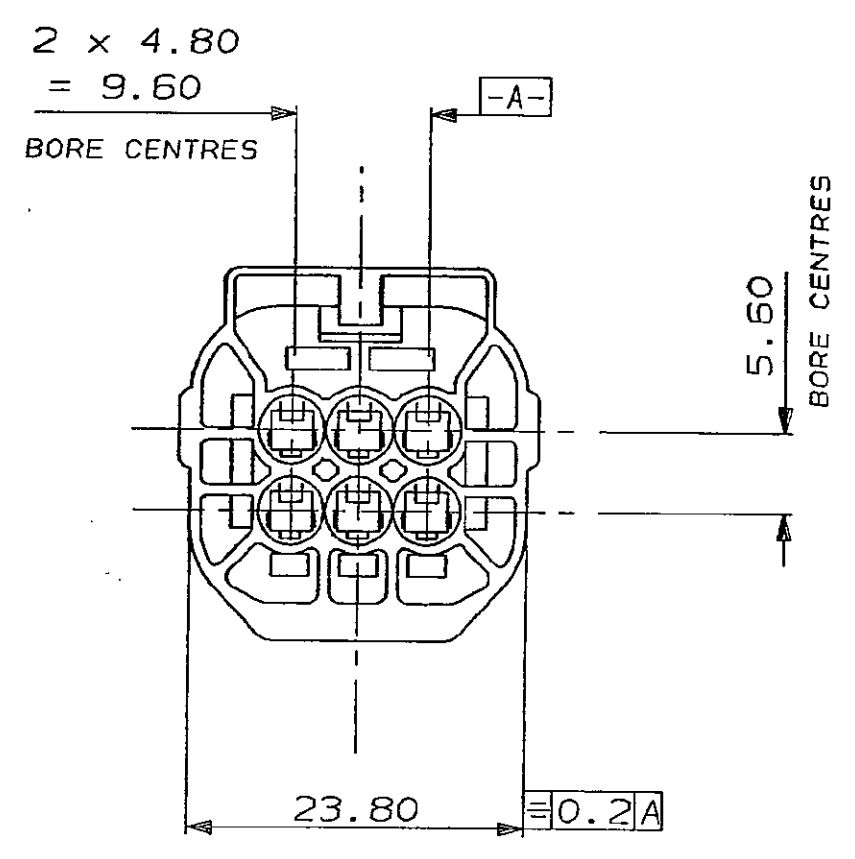


C.A.D. FILE CODE  
S. C344267

DO NOT SCALE DIMENSIONS IN MM.



ITEM No.	MATERIAL	PT. NO. OR COLOUR	DESCRIPTION	QTY. PER ASSY.	ASSEMBLY PART No.
<del>2</del>	<del>NITRILE RUBBER</del>	<del>GREY</del>	<del>PERIPHERAL SEAL</del>	<del>1</del>	<del>1-344267-4</del>
<del>1</del>	<del>NYLON 66</del>	<del>344266-4</del>	<del>6 WAY REC. HSG.</del>	<del>1</del>	<del>WHITE</del>
<del>2</del>	<del>NITRILE RUBBER</del>	<del>GREY</del>	<del>PERIPHERAL SEAL</del>	<del>1</del>	<del>1-344267-3</del>
<del>1</del>	<del>NYLON 66</del>	<del>344266-3</del>	<del>6 WAY REC. HSG.</del>	<del>1</del>	<del>BLUE</del>
2	NITRILE RUBBER	GREY	PERIPHERAL SEAL	1	1-344267-2
1	NYLON 66	344266-2	6 WAY REC. HSG.	1	RED
2	NITRILE RUBBER	GREY	PERIPHERAL SEAL	1	1-344267-1
1	NYLON 66	344266-1	6 WAY REC. HSG.	1	BLACK
2	SILICONE RUBBER	ORANGE	PERIPHERAL SEAL	1	344267-4
1	NYLON 66	344266-4	6 WAY REC. HSG.	1	WHITE
2	SILICONE RUBBER	ORANGE	PERIPHERAL SEAL	1	344267-3
1	NYLON 66	344266-3	6 WAY REC. HSG.	1	BLUE
2	SILICONE RUBBER	ORANGE	PERIPHERAL SEAL	1	344267-2
1	NYLON 66	344266-2	6 WAY REC. HSG.	1	RED
2	SILICONE RUBBER	ORANGE	PERIPHERAL SEAL	1	344267-1
1	NYLON 66	344266-1	6 WAY REC. HSG.	1	BLACK

**CUSTOMER DWG FOR REFERENCE ONLY**

© COPYRIGHT 1987 BY AMP OF GREAT BRITAIN LTD. ALL INTERNATIONAL RIGHTS RESERVED. ALL PRODUCTS MAY BE COVERED BY BRITISH AND FOREIGN PATENTS AND/OR PATENTS PENDING.

DR. R. J. 5. 5.11.87

CH. R. R. APP. B. J.

**STE** TE Connectivity

NAME: 6 WAY REC. HSG. ASSY. ECONOSEAL 3 LOW CURRENT

SCALE: 2/1 LOC: E SIZE: A2 DWG. No.: C344267 REV: F1 SHEET: 1/1