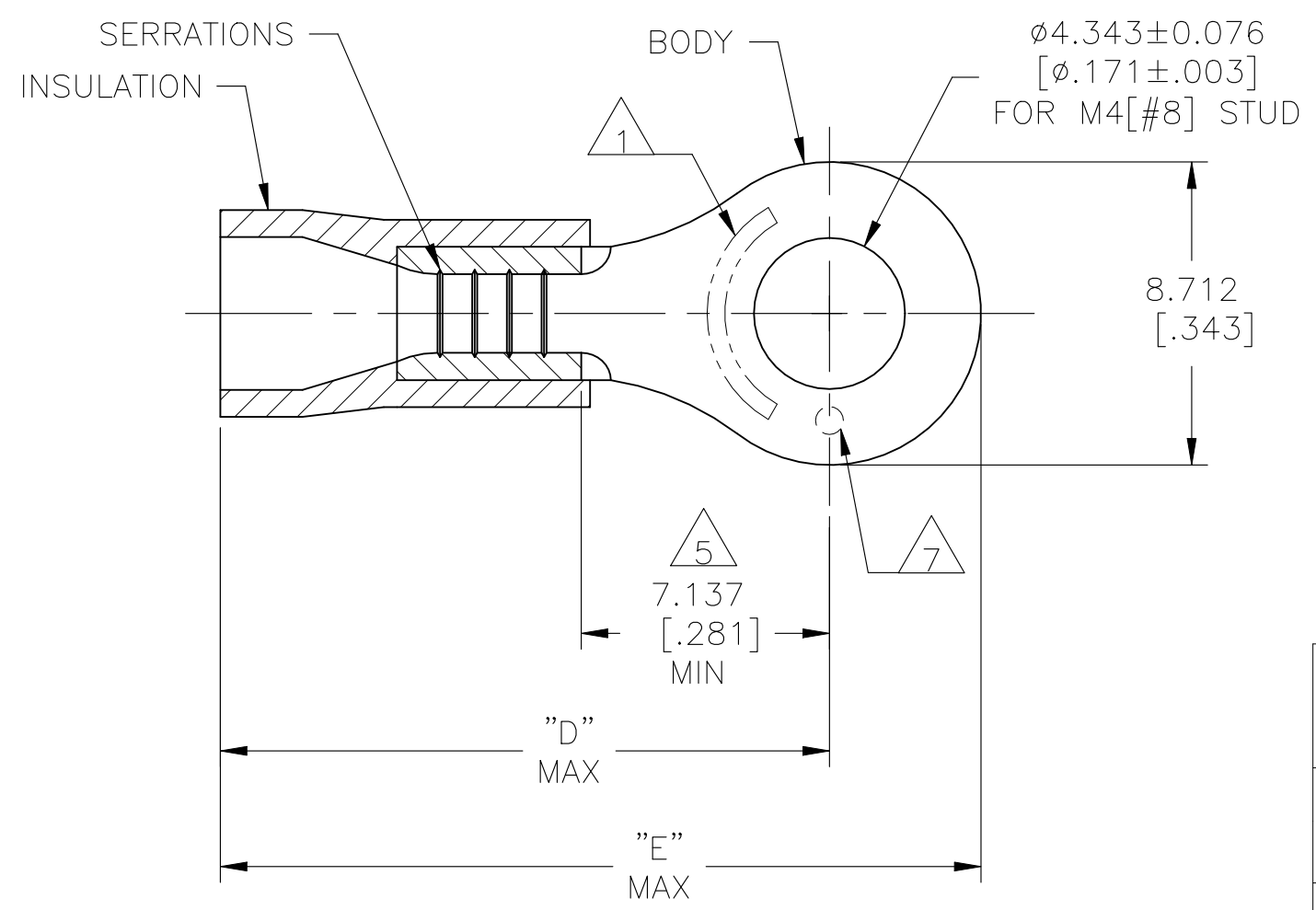


© - TE Connectivity. All Rights Reserved.

REVISIONS					
P	LTR	DESCRIPTION	DATE	DWN	APVD
	S	REVISED PER ECR-23-181664	04AUG2023	SA	DSC

AMP WIRE RANGE	Listed	LR7189 Certified
16-14 AWG SOLID OR STRANDED	16-14 AWG SOLID OR STRANDED	16-14 AWG SOLID OR STRANDED



- 1 STAMP AMP 16-14* APPROX AS SHOWN
- 2 BODY MATERIAL THK: 0.787±0.051 [.031±.002]
- 3 NOTE DELETED
- 4 MATERIAL: BODY - CU PER ASTM B152
INSULATION - PVC
- 5 APPLIES FROM CENTER OF STUD HOLE
TO EDGE OF METAL WIRE BARREL
- 6 FINISH:
BODY - TIN PLATE 0.00254 [.000100] MIN EXT THK PER ASTM B545
INSULATION COLOR - BLUE
- 7 DIMPLE STAMP MARK OPTIONAL

22.123 [.871]	17.704 [.697]	2.997-4.826 [.118-.190]	100	LOOSE PIECE, BOX	8-34160-1
23.368 [.920]	18.948 [.746]	3.810-6.350 [.150-.250]	1000	LOOSE PIECE	2-34160-2
22.123 [.871]	17.704 [.697]	2.997-4.826 [.118-.190]	5000	ON TAPE, REEL	2-34160-1
			1000	LOOSE PIECE	34160
"E"	"D"	WIRE INSULATION DIAMETER	QTY	PACKAGE TYPE	PART NUMBER

AMP INCORPORATED CUSTOMER SERVICE SYSTEMS		MAX RECOMMENDED OPERATING TEMPERATURE: 105°C [221°F]	THIS DRAWING IS A CONTROLLED DOCUMENT.		DWN DK SCHRUM 02/08/93	TE Connectivity				
FOR ADDITIONAL PRODUCT INFORMATION OR COPIES OF DRAWINGS AND TECHNICAL DOCUMENTS	PRODUCT INFORMATION CENTER 1-800-522-6752	VOLTAGE RATING: 600 V (1000 V FIXTURE OR SIGN)	DIMENSIONS: mm [INCHES]	TOLERANCES UNLESS OTHERWISE SPECIFIED:	CHK RE HERSEY 8/15/93					NAME
FOR APPLICATION TOOLING INFORMATION	TOOLING ASSISTANCE CENTER 1-800-722-1111	CIRCULAR MIL AREA: 1.04-2.62mm² [2,050-5,180] SOLID OR STRANDED		0 PLC ± - 1 PLC ± - 2 PLC ± - 3 PLC ± 0.127 [.005] 4 PLC ± - ANGLES ± -	APVD M BARNABA 8/15/93	TERMINAL, RING TONGUE, PLASTI-GRIP, WIRE SIZE: 16-14 AWG				
FOR ORDER ENTRY	1-800-526-5142	THIS DRAWING IS A CONTROLLED DOCUMENT FOR AMP INCORPORATED. IT IS SUBJECT TO CHANGE AND THE CONTROLLING ENGINEERING ORGANIZATION SHOULD BE CONTACTED FOR THE LATEST REVISION.	MATERIAL 4	FINISH 6	PRODUCT SPEC UL 486A-B	SIZE	CAGE CODE	DRAWING NO	RESTRICTED TO	
					APPLICATION SPEC 114-2161	A3	00779	C-34160		
					WEIGHT -	CUSTOMER DRAWING		SCALE 4:1	SHEET 1 OF 1	REV S