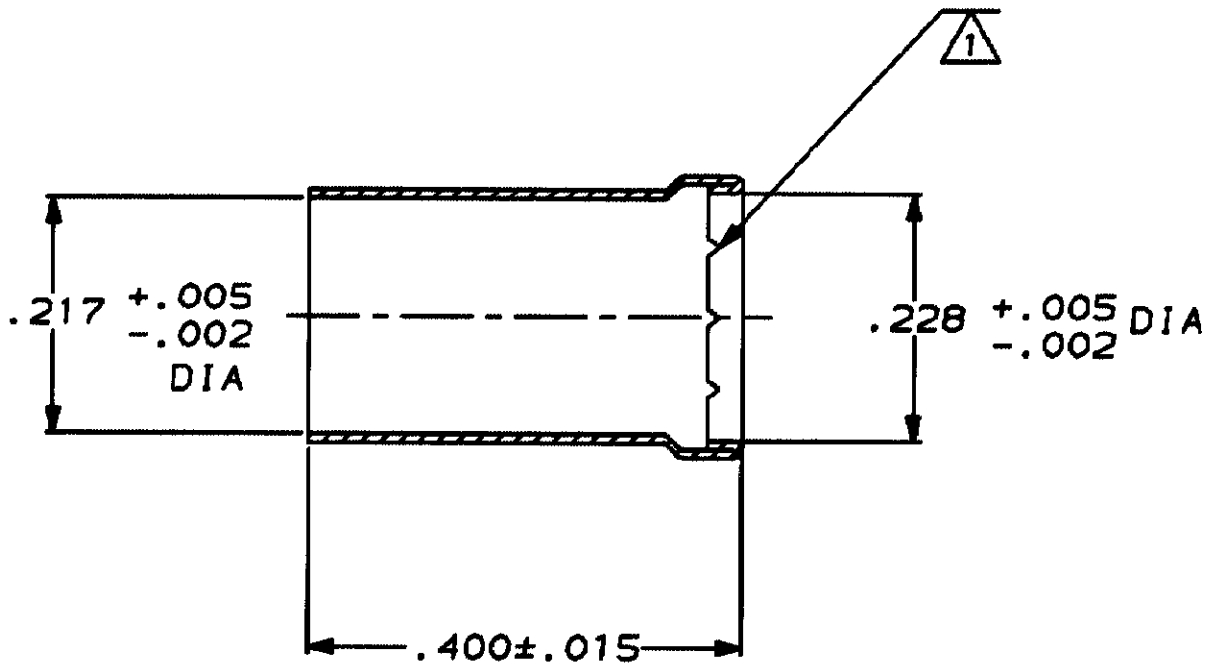


DRAWING MADE IN THIRD ANGLE PROJECTION

THIS DRAWING IS A CONTROLLED DOCUMENT FOR AMP INCORPORATED. IT IS SUBJECT TO CHANGE AND THE CONTROLLING ENGINEERING ORGANIZATION SHOULD BE CONTACTED FOR THE LATEST REVISION.

LOC	DIST	P	F	LTR	DESCRIPTION	DATE	APPROVED
AJ	16	✓	✓	F	REDWN & REACT PER AJ-5873	01/05/93	JPD

- 1 EVENLY SPACED "V" SERRATIONS PERMISSIBLE
- 2 COPPER PER QQ-C-576
- 3 SILVER PL PER QQ-S-365



THIS DRAWING IS UNPUBLISHED. RELEASED FOR PUBLICATION BY AMP INCORPORATED. ALL INTERNATIONAL RIGHTS RESERVED. © COPYRIGHT 19

DO NOT SCALE PRINT. UNLESS SPECIFIED DIMENSIONS IN MM (IN) TOLERANCES ON: 3/4 PLC DEC * - 3/8 PLC DEC * - ANGLES * -		DR 01/05/93 J.DAVIS	AMP AMP Incorporated Harriensburg, PA 17105-3608	
MATERIAL		CHK 01/05/93 J.MOLEDD		
FINISH		APPD 01/05/93 J.MOLEDD	NAME FERRULE, STEP-DOWN	
WEIGHT .016 OZ		APPD 01/05/93 J.DAVIS	SIZE A	CAGE CODE 00779
APPLICATION SPEC		PRODUCT SPEC	DRAWING NO C=330478	SHEET 1 of 1
SCALE NTS				

AMP 1460-32 REV 3-92

05 JAN 1993

13:30:57

AMP32950

<UR128C>DEPT1435>AMP32950>U.AJ-5873

CUSTOMER DRAWING