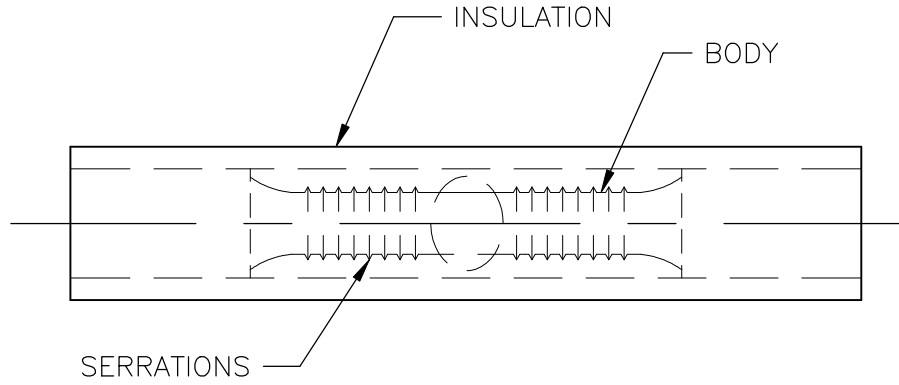
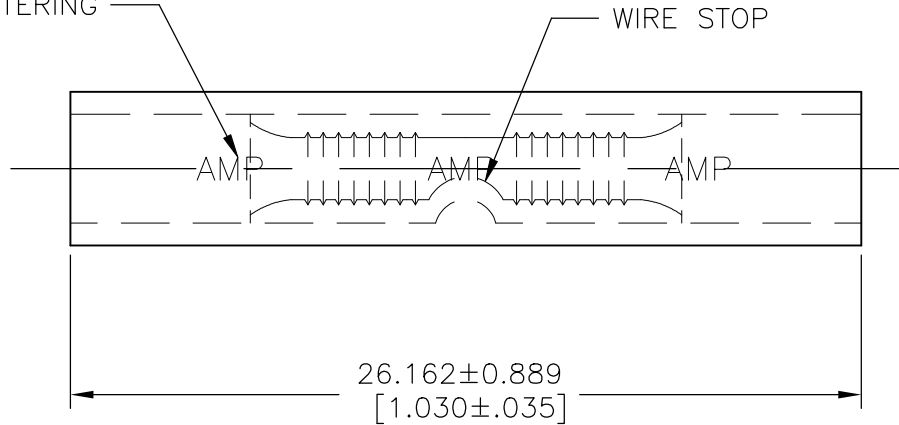


REVISIONS					
P	LTR	DESCRIPTION	DATE	DWN	APVD
	J1	REVISED PER ECO-17-014338	17MAY2018	RS	DR

1 WIRE INSULATION DIA:
2.667-3.556[.105-.140]



COLOR CODE: BLUE
AMP LETTERING


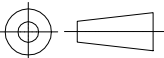


100	LOOSE PC, BOX	8-328427-1
QTY	PACKAGE TYPE	PART NO.

THIS DRAWING IS UNPUBLISHED.

ALL RIGHTS RESERVED.

COPYRIGHT - TE Connectivity Ltd.

DIMENSIONS: mm [INCHES]	DWN RAVI S	17MAY2018	MATERIAL COPPER PER ASTM B152 INSULATION: PVC	FINISH TIN PLATE PER ASTM B545 INSULATION: TRANSLUCENT
	CHK ROHDE DANIEL F	17MAY2018	 TE Connectivity Ltd.	
TOLERANCES UNLESS OTHERWISE SPECIFIED:	APVD ROHDE DANIEL F	17MAY2018		
0 PLC ± -	PRODUCT SPEC	-		
1 PLC ± -	APPLICATION SPEC	114-2161		
2 PLC ± -	NAME	SPLICE		
3 PLC ± 0.127[.005]	SIZE	CAGE CODE	DRAWING NO	RESTRICTED TO
4 PLC ± -	WEIGHT	A4	00779	C-328427
ANGLES ± 1/2°	CUSTOMER DRAWING		SCALE	4:1
		SHEET		1 OF 1
		REV		J1