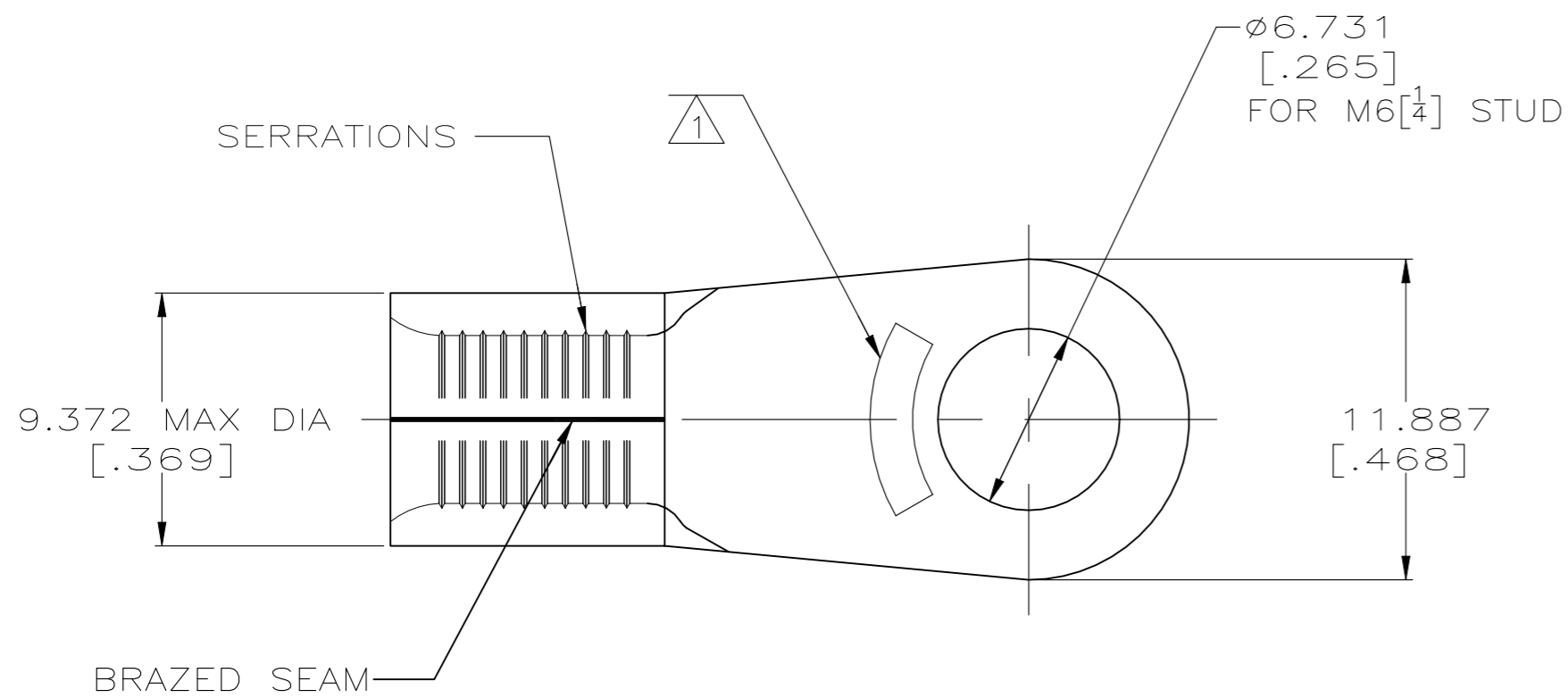
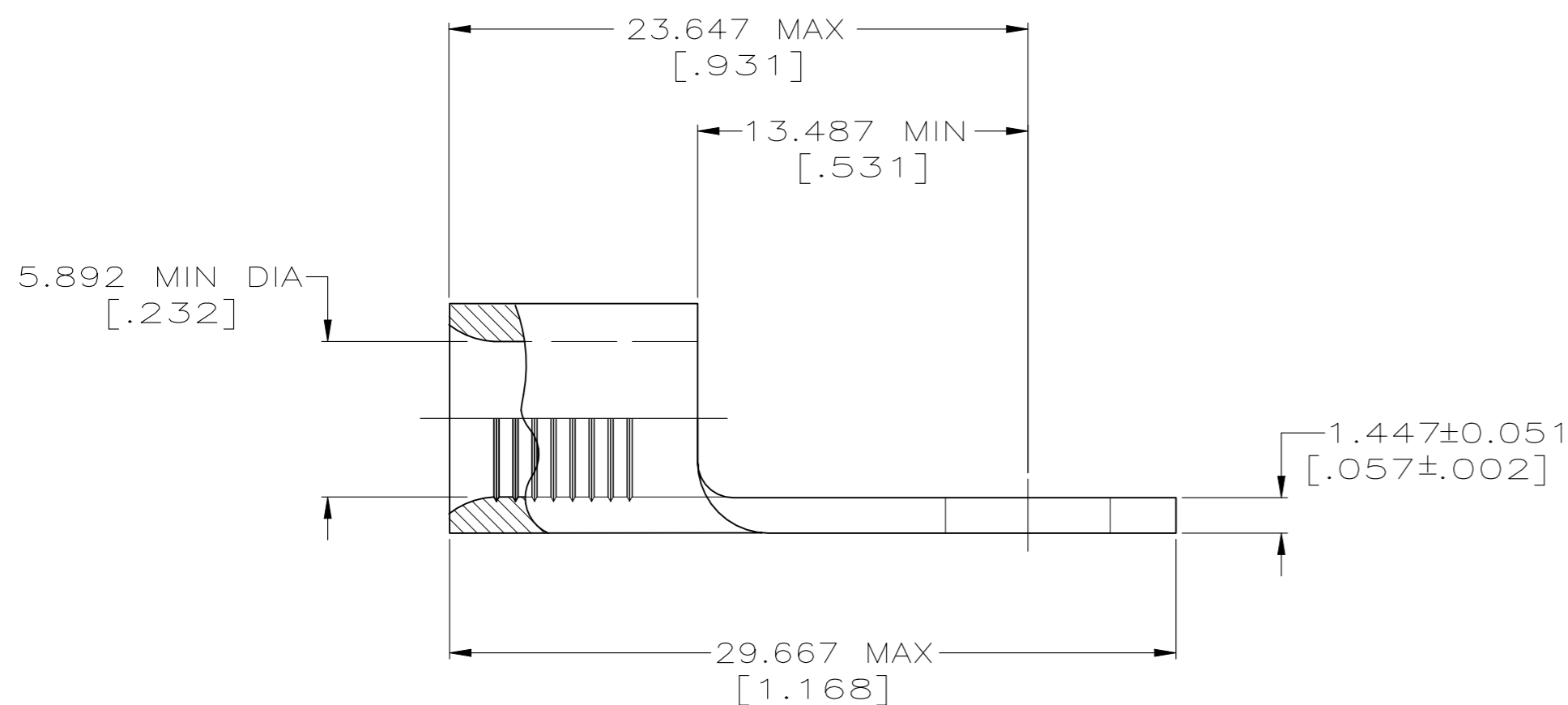


REVISIONS				
P	LTR	DESCRIPTION	DATE	APVD
G6		REVISED PER ECN-22-150900	27APR2022	RK CSD



AMP WIRE RANGE	UL Listed FILE E13288	LR7189 Certified
6 AWG SOLID OR STRANDED	6 AWG STRANDED	6 AWG SOLID OR STRANDED

- 1 STAMP AMP 6* APPROX AS SHOWN
- 2 NOTE DELTED.
- 3 COPPER PER ASTM B-152, ANNEALED
- 4 NOTE DELETED
- 5 UL 486 A-B



1000	LOOSE PIECE	170°C [338°F]	TIN PLATE 0.00254[.000100] MIN THK PER PER ASTM B545	2-321598-4
750	ON TAPE	170°C [338°F]	TIN PLATE 0.00254[.000100] MIN THK PER ASTM B545	2-321598-3
100	LOOSE PIECE	170°C [338°F]	TIN PLATE 0.00254[.000100] MIN THK PER ASTM B545	321598
QTY.	PACKAGE TYPE	OPERATING TEMP, MAX	FINISH	PART NO.

CUSTOMER SERVICE SYSTEMS			THIS DRAWING IS A CONTROLLED DOCUMENT.		DWN TA BRINKMAN 3-24-93		TE TE Connectivity			
FOR ADDITIONAL PRODUCT INFORMATION OR COPIES OF DRAWINGS AND TECHNICAL DOCUMENTS	PRODUCT INFORMATION CENTER 1-800-522-6752	RECOMMENDED OPERATING TEMPERATURE: SEE TABLE	DIMENSIONS: MM[INCHES]	TOLERANCES UNLESS OTHERWISE SPECIFIED:	CHK DA PATTERSON 3-24-93	APVD JL MECKLEY 3-24-93	NAME TERMINAL, RING TONGUE, SOLISTRAND 6 AWG			
FOR APPLICATION TOOLING INFORMATION	TOOLING ASSISTANCE CENTER 1-800-722-1111	VOLTAGE RATING: NOT APPLICABLE		0 PLC ± -	PRODUCT SPEC	5	SIZE	CAGE CODE	DRAWING NO	RESTRICTED TO
FOR ORDER ENTRY	1-800-526-5142	WIRE CROSS SECTIONAL AREA RANGE: 10.5-16.8mm ² [20,800-33,100] CIR MILS SOLID OR STRANDED		MATERIAL	1 PLC ± -	APPLICATION SPEC	-	A2	00779	C=321598
			MATERIAL	2 PLC ± -	WEIGHT	-	SCALE	SHEET	REV	
				3 PLC ± .127[.005]	CUSTOMER DRAWING	4:1	1 OF 1	G6		
				4 PLC ± -						
				ANGLES ± -						
				FINISH						
				SEE TABLE						