

4

3

2

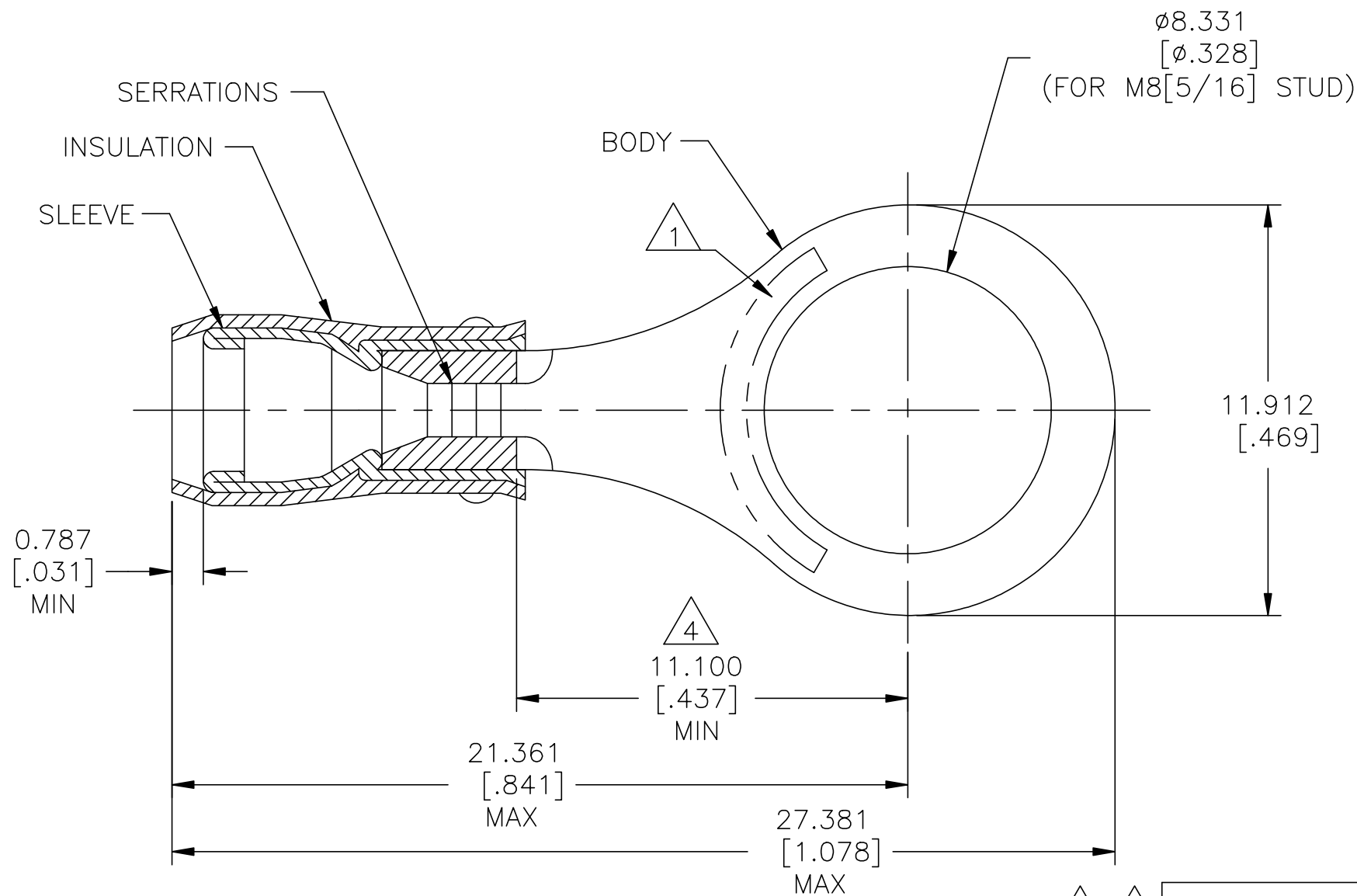
1

© - TE Connectivity. All Rights Reserved.

REVISIONS

P	LTR	DESCRIPTION	DATE	DWN	APVD
	AC	REVISED PER ECR-23-175984	13JUN2023	BB	DSC

<b>AMP</b> WIRE RANGE	E13288 Listed	LR7189 Certified
22-16 AWG SOLID OR STRANDED	22-16 AWG STRANDED	22-16 AWG SOLID OR STRANDED



- 1 STAMP AMP 22-18\* APPROX AS SHOWN  
22-16 TERMINALS ARE STAMPED 22-18 IN  
ACCORDANCE WITH MILITARY SPEC SAE AS7928  
COMMERCIAL WIRE RANGE IS 22-16.
- 2 WIRE INSULATION DIA : ø2.032-3.175[ø.080-.125].
- 3 BODY MATERIAL THK: 0.787±0.051[.031±.002].
- 4 APPLIES FROM EDGE OF METAL WIRE BARREL  
TO CENTER OF STUD HOLE.
- 5 UL LISTED
- 6 CSA CERTIFIED
- 7 MATERIAL:  
BODY & SLEEVE - COPPER PER ASTM B152  
INSULATION - NYLON
- 8 FINISH:  
BODY & SLEEVE - TIN PLATE 0.00254[.000100]  
MIN EXT THK PER ASTM B545  
INSULATION COLOR - RED

		-	5000	ON TAPE, REEL	2-320572-1
		MS25036-104 CLASS 1	1000	LOOSE PIECE	320572
		MILITARY P/N AND CLASS	QUANTITY	PACKAGE TYPE	PART NO

AMP INCORPORATED  
CUSTOMER SERVICE SYSTEMS

MAX RECOMMENDED OPERATING TEMPERATURE:  
105°C[221°F] MAX

VOLTAGE RATING:  
300 V MAX

CIRCULAR MIL AREA:  
0.26-1.65mm²[509-3,260] CIR MILS  
SOLID OR STRANDED

THIS DRAWING IS A CONTROLLED DOCUMENT FOR  
AMP INCORPORATED. IT IS SUBJECT TO CHANGE  
AND THE CONTROLLING ENGINEERING ORGANIZATION  
SHOULD BE CONTACTED FOR THE LATEST REVISION.

FOR ADDITIONAL PRODUCT INFORMATION OR COPIES OF DRAWINGS AND TECHNICAL DOCUMENTS	PRODUCT INFORMATION CENTER 1-800-522-6752
FOR APPLICATION TOOLING INFORMATION	TOOLING ASSISTANCE CENTER 1-800-722-1111
FOR ORDER ENTRY	1-800-526-5142


THIS DRAWING IS A CONTROLLED DOCUMENT.		DWN DK SCHRUM 9/8/93												
DIMENSIONS: mm [INCHES]		CHK RE HERSEY 9/8/93												
TOLERANCES UNLESS OTHERWISE SPECIFIED:		APVD ML ELLIS 9/8/93												
<table border="0"> <tr><td>0 PLC</td><td>± -</td></tr> <tr><td>1 PLC</td><td>± -</td></tr> <tr><td>2 PLC</td><td>± -</td></tr> <tr><td>3 PLC</td><td>± 0.127[.005]</td></tr> <tr><td>4 PLC</td><td>± -</td></tr> <tr><td>ANGLES</td><td>± -</td></tr> </table>		0 PLC	± -	1 PLC	± -	2 PLC	± -	3 PLC	± 0.127[.005]	4 PLC	± -	ANGLES	± -	PRODUCT SPEC UL 486A-B
0 PLC	± -													
1 PLC	± -													
2 PLC	± -													
3 PLC	± 0.127[.005]													
4 PLC	± -													
ANGLES	± -													
MATERIAL	FINISH	APPLICATION SPEC 114-2157												
		WEIGHT -												
		CUSTOMER DRAWING												

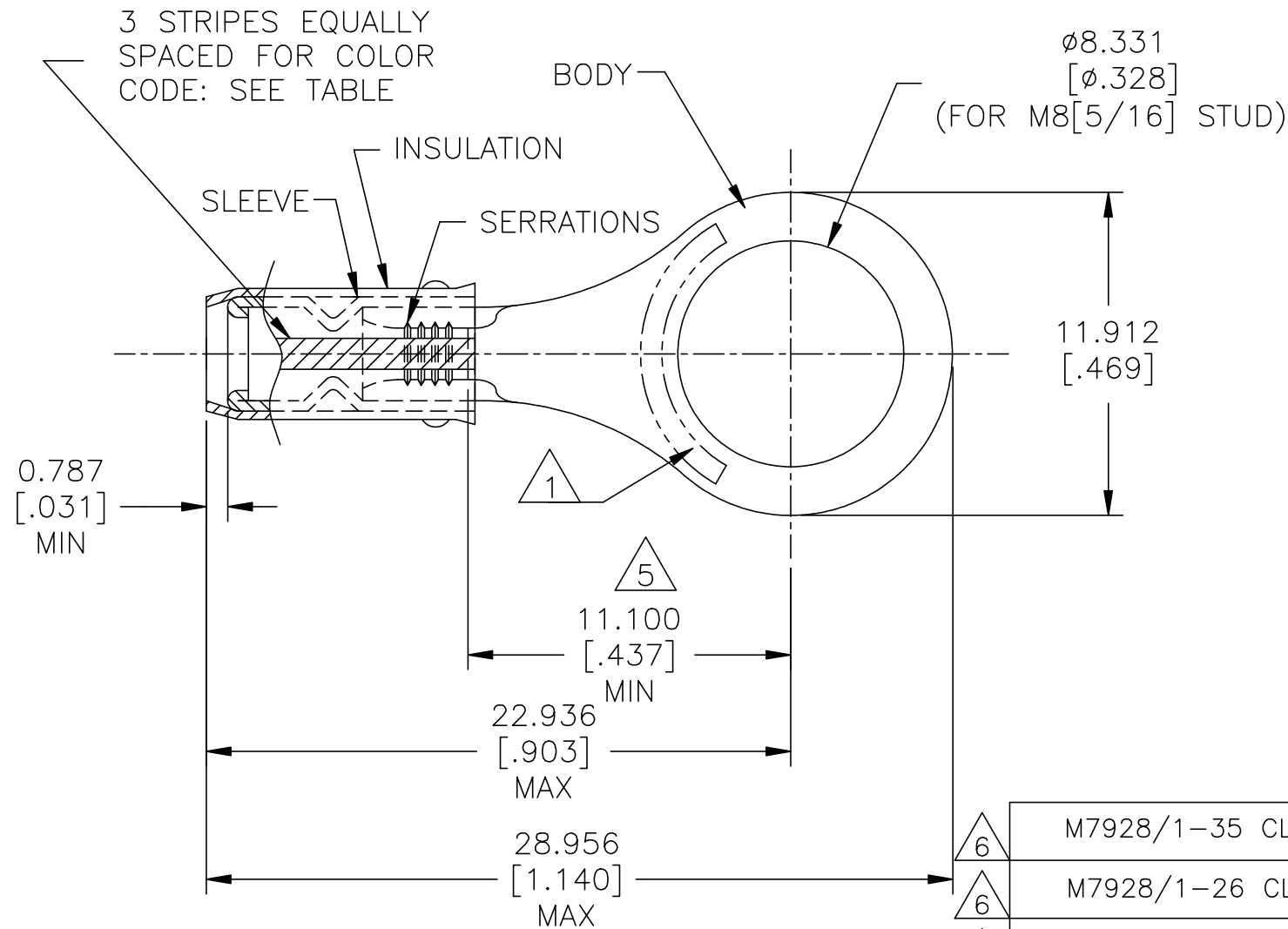
TE Connectivity Ltd.			
NAME TERMINAL, RING TONGUE, PIDG™, WIRE SIZE, 22-16 AWG			
SIZE A3	CAGE CODE 00779	DRAWING NO C-320572	RESTRICTED TO -
SCALE 6:1		SHEET 1 of 2	REV AC


© - TE Connectivity. All Rights Reserved.

REVISIONS

P	LTR	DESCRIPTION	DATE	DWN	APVD
-	-	SEE SHEET 1	-	-	-

<b>AMP</b> WIRE RANGE	 LR7189 Certified
SEE TABLE STRANDED	WIRE SIZE PER TABLE STRANDED



- 1 STAMP AMP  APPROX AS SHOWN SEE TABLE BELOW.
- 2 WIRE INSULATION DIA : ø0.965-2.794[ø.038-.110] FOR 22 AWG  
ø1.168-2.794[ø.046-.110] FOR 20 AWG  
ø1.422-2.794[ø.056-.110] FOR 18 AWG.
- 3 BODY MATERIAL THK: 0.787±0.051[.031±.002].
- 4 NOTE DELETED.
- 5 APPLIES FROM EDGE OF METAL WIRE BARREL TO CENTER OF STUD HOLE.
- 6 CSA CERTIFIED
- 7 MATERIAL:  
BODY & SLEEVE - COPPER PER ASTM B152  
INSULATION - NYLON
- 8 FINISH:  
BODY & SLEEVE - TIN PLATE 0.00254[.000100]  
MIN EXT THK PER ASTM B545  
INSULATION COLOR - RED

6	M7928/1-35 CLASS 1	WHITE	18*	18	1000	LOOSE PIECE	2-320572-4
6	M7928/1-26 CLASS 1	RED	20*	20	1000	LOOSE PIECE	2-320572-3
6	M7928/1-17 CLASS 1	GREEN	22*	22	1000	LOOSE PIECE	2-320572-2
	MILITARY P/N AND CLASS	STRIPE COLOR	△ STAMPING	WIRE SIZE	QUANTITY	PACKAGE TYPE	PART NO

AMP INCORPORATED  
CUSTOMER SERVICE SYSTEMS

MAX RECOMMENDED OPERATING TEMPERATURE:  
105°C[221°F] MAX

THIS DRAWING IS A CONTROLLED DOCUMENT.

DWN DK SCHRUM 9/8/93

 TE Connectivity Ltd.

FOR ADDITIONAL PRODUCT INFORMATION OR COPIES OF DRAWINGS AND TECHNICAL DOCUMENTS

PRODUCT INFORMATION CENTER  
1-800-522-6752

VOLTAGE RATING: 300 V MAX

DIMENSIONS:  
mm [INCHES]

TOLERANCES UNLESS OTHERWISE SPECIFIED:

CHK RE HERSEY 9/8/93

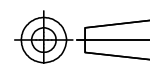
NAME  
TERMINAL, RING TONGUE, I.R.,  
PIDG™, WIRE SIZE: 22, 20 & 18 AWG

FOR APPLICATION TOOLING INFORMATION

TOOLING ASSISTANCE CENTER  
1-800-722-1111

WIRE RANGE:	CIRC MIL AREA
22	0.38mm <sup>2</sup> [754]
20	0.60mm <sup>2</sup> [1,186]
18	0.96mm <sup>2</sup> [1,900]

STRANDED



0 PLC	± -
1 PLC	± -
2 PLC	± -
3 PLC	± 0.127[.005]
4 PLC	± -
ANGLES	± -

APVD ML ELLIS 9/8/93

PRODUCT SPEC

APPLICATION SPEC

114-2157


WEIGHT -

SIZE	CAGE CODE	DRAWING NO	RESTRICTED TO
A3	00779	C-320572	-

FOR ORDER ENTRY 1-800-526-5142

THIS DRAWING IS A CONTROLLED DOCUMENT FOR AMP INCORPORATED. IT IS SUBJECT TO CHANGE AND THE CONTROLLING ENGINEERING ORGANIZATION SHOULD BE CONTACTED FOR THE LATEST REVISION.

MATERIAL 

FINISH 

CUSTOMER DRAWING

SCALE 4:1 SHEET 2 OF 2 REV AC