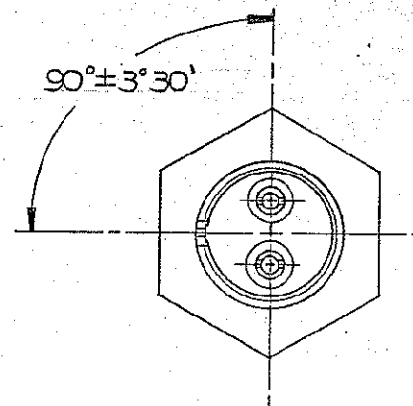
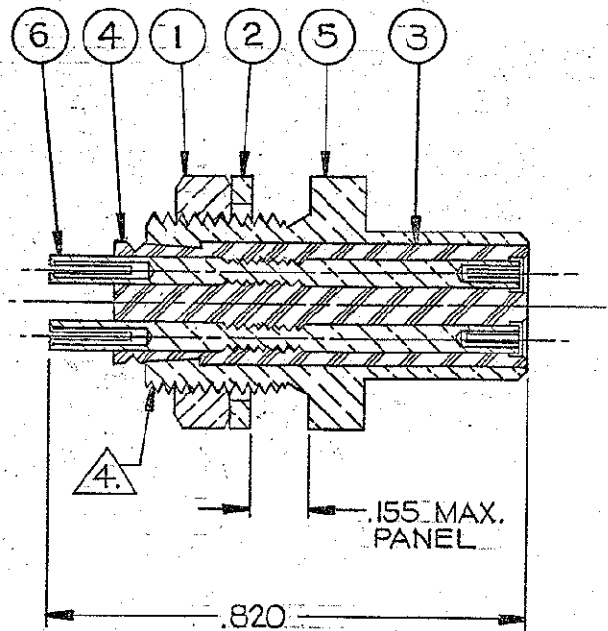
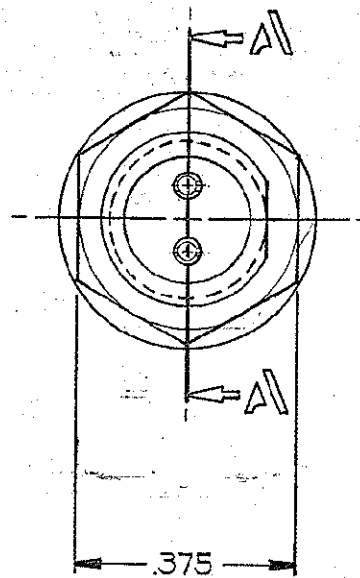
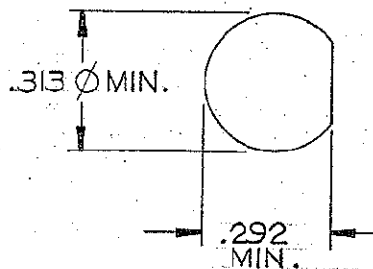


REVISIONS					
ZONE	LTR	ECN	DESCRIPTION	DATE	APPROVED
	E	28925	REVISE AND REDRAW ORIGINAL RELEASE BY M.F.M. (9-9-57)	10-8-86	<i>RF</i>
	F	31279	ADD RIGHT END VIEW	2/10/88	<i>MD</i>
	G	32125	ITEM 3 WAS: 003-0517-0001, ITEM 4 WAS: 003-0518-0001. REVISE VIEW. (M)	5/23/89	<i>RF</i>



MOUNTING HOLE

SECTION A-A



NOTES: (UNLESS OTHERWISE SPECIFIED)

- 1. GOLD PLATE PER MIL-G-45204, TYPE II, GRADE C, CLASS I.
- 2. SILVER PLATE .0002 MIN. PER QQ-S-365, TYPE II, GRADE A.
- 3. THIS CONNECTOR MATES WITH ALL SLIDE-ON-SERIES TWINAX PLUGS AS LISTED IN MALCO CATALOG.
- 4. .312-32 UNEF-2A THD

QTY	FINISH	PART OR IDENTIFYING NO.	NOMENCLATURE OR DESCRIPTION	MAT'L	ITEM NO.
2	1	003-0520-0002	SOCKET CONTACT	BERYLCO, QQ-C-530	6
1	2	003-0519-0001	HOUSING	BRASS, QQ-B-626	5
				DELETED	4
1		000-0301-0188	INSULATOR	TEFLON, ASTM D-1710	3
1	2	003-0258-0001	LOCKWASHER	#425 BRONZE ALLOY	2
1	2	003-0209-0001	HEX NUT	BRASS, QQ-B-626	1

PARTS LIST

UNLESS OTHERWISE SPECIFIED DIMENSIONS ARE IN INCHES TOLERANCES ARE:  
 FRACTIONS DECIMALS ANGLES  
 ± .XX ± .XXX ± .010

CONTRACT NO.	
APPROVALS	DATE
DRAWN L. MATEO	8/31/84
CHECKED	
PR. ENG. <i>RF</i>	10/8/84
APPD.	

**MALCO**  
 A MICRODOT COMPANY, INC.  
 220 PASADENA AVE., SO. PASADENA, CALIF. 91030

TWINAX RECEPTACLE,  
 BULKHEAD

PROD. CODE  
 931  
 CODE  
 CDM

SIZE CODE IDENT NO. DRAWING NO.  
 C 98278 031-0098-0001

SCALE NONE SHEET 1 OF 1

MATERIAL	NOTED
FINISH	NOTED
NEXT ASSY	USED ON
APPLICATION	DO NOT SCALE DRAWING