

THIS DRAWING IS UNPUBLISHED.

RELEASED FOR PUBLICATION

-. - .

REVISIONS

ALL RIGHTS RESERVED.

© COPYRIGHT - By -

| P | LTR | DESCRIPTION               | DATE      | DWN | APVD |
|---|-----|---------------------------|-----------|-----|------|
|   | B   | REVISED PER ECR-16-007103 | 25JUN2016 | GSK | AP   |

NOTES:

1 EACH ITEM AND ASSEMBLY MUST COMPLY WITH EUROPEAN REDUCTION OF HAZARDOUS SUBSTANCES (RoHS) REGULATION. UNDER DIRECTIVE 2011/65/EU.

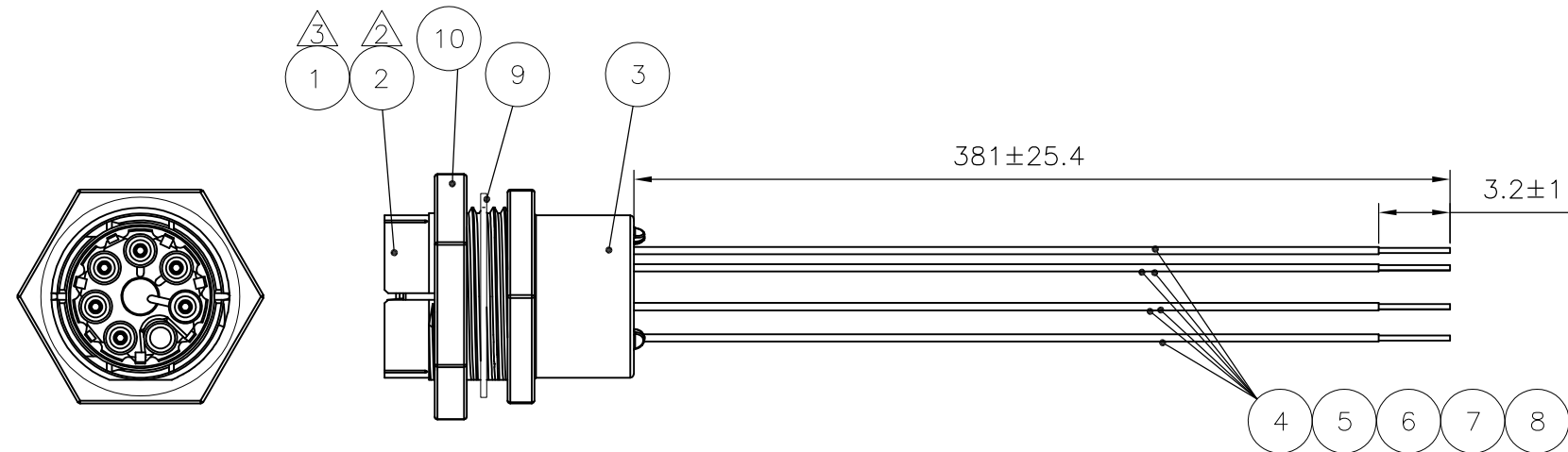
2 DO NOT SOLDER CONTACT, CRIMP ONLY

3 IDENTIFY POSITION PE, LOADING POSITIONER PE TO SOCKET PE

4 PE CONTACT CIRCUIT IDENTIFIED BY EXTENDED LENGTH POLARIZED "KEY"

5 ELECTRICAL TEST:  
100% OPEN SHORT&MISS WIRE TEST  
CONTACT RESISTANCE: 2 OHM MAX

TE P/N  
2829497-1



WIRE DIAGRAM

| P1          | COLOR  |
|-------------|--------|
| N           | WHITE  |
| L1          | BLACK  |
| PE          | GREEN  |
| L2 (NO PIN) |        |
| S1          | ORANGE |
| S2          | BLUE   |
| L3 (NO PIN) |        |

|     |     |   |      |
|-----|-----|---|------|
| 1   | PC  | PANEL NUT                                     | 10   |
| 1   | PC  | PANEL GASKET, SEALED NECTOR M                 | 9    |
| AR  | M   | WIRE, ELEC, 18 AWG, UL STYLE 1316/1452 ORANGE | 8    |
| AR  | M   | WIRE, ELEC, 18 AWG, UL STYLE 1316/1452 BLUE   | 7    |
| AR  | M   | WIRE, ELEC, 18 AWG, UL STYLE 1316/1452 GREEN  | 6    |
| AR  | M   | WIRE, ELEC, 18 AWG, UL STYLE 1316/1452 BLACK  | 5    |
| AR  | M   | WIRE, ELEC, 18 AWG, UL STYLE 1316/1452 WHITE  | 4    |
| 1   | PC  | SOCKET HOUSING, PANEL, 7P, A CODE SEALED      | 3    |
| 5   | PC  | SCKT, NECTOR-M, AWG16-AWG18                   | 2    |
| 1   | PC  | CONN, NECTOR-M, POSITIONER, 7P, -2            | 1    |
| QTY | UoM | DESCRIPTION                                   | ITEM |

|   |  |                                    |  |                         |
|---|--|------------------------------------|--|-------------------------|
| THIS DRAWING IS A CONTROLLED DOCUMENT.                                      |  | DWN<br>T.BURZYŃSKI<br>15JUN2015    | TE Connectivity  |                         |
| DIMENSIONS:<br>mm   |  | CHK<br>D.E.MCCLURE<br>15JUN2015    |  |                         |
| TOLERANCES UNLESS OTHERWISE SPECIFIED:                                      |  | APVD<br>A.V.ZANDVOORT<br>15JUN2015 | NAME<br>PIGTAIL 5 POS BULKHEAD SOCKET<br>STD UL CABLE SEALED |                         |
| 0 PLC ± -<br>1 PLC ± -<br>2 PLC ± -<br>3 PLC ± -<br>4 PLC ± -<br>ANGLES ± - |  | PRODUCT SPEC<br>-                  | RESTRICTED TO<br>-   |                         |
| MATERIAL<br>-   |  | FINISH<br>-                        | APPLICATION SPEC<br>-  | SIZE<br>A3              |
|   |  | WEIGHT                             | CAGE CODE<br>00779   | DRAWING NO<br>C-2829497 |
| CUSTOMER DRAWING  |  |                                    | SCALE<br>NTS   | SHEET<br>1 OF 1         |
|   |  |                                    | REV<br>B   |                         |