

THIS DRAWING IS UNPUBLISHED.

RELEASED FOR PUBLICATION

REVISIONS

ALL RIGHTS RESERVED.

P	LTR	DESCRIPTION	DATE	DWN	APVD
	B	REVISED PER ECR-16-007103	25JUN2016	GSK	AP

NOTES:

1 EACH ITEM AND ASSEMBLY MUST COMPLY WITH EUROPEAN REDUCTION OF HAZARDOUS SUBSTANCES (RoHS) REGULATION. UNDER DIRECTIVE 2011/65/EU AND HARMONIZED STANDARD EN 50581:2012.

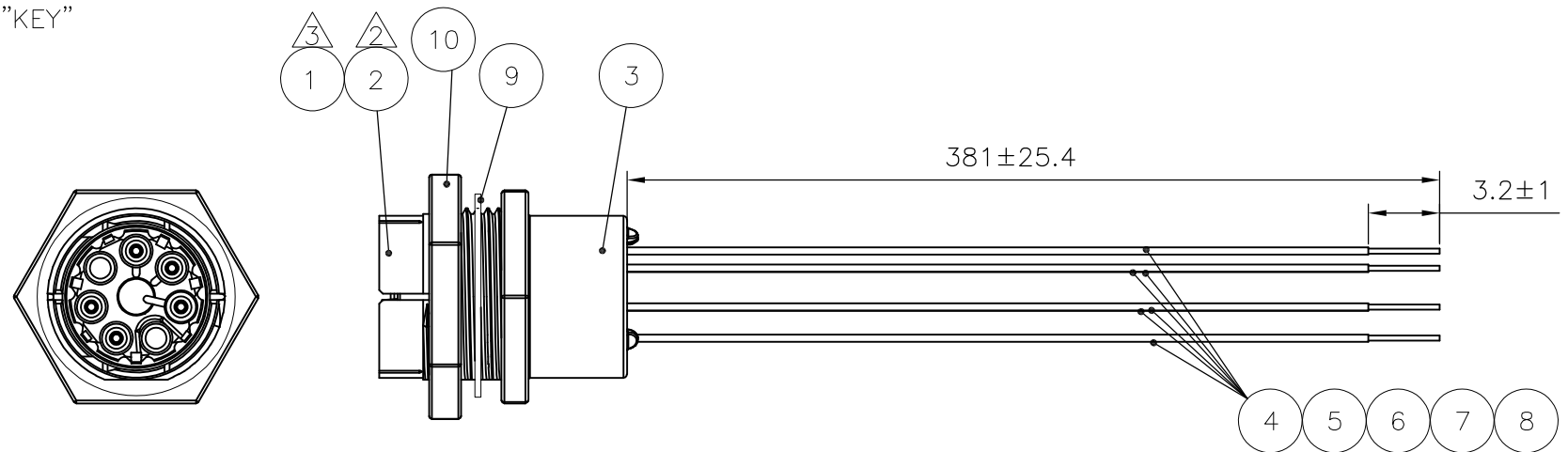
2 DO NOT SOLDER CONTACT, CRIMP ONLY

3 IDENTIFY POSITION PE, LOADING POSITIONER PE TO SOCKET PE

4 PE CONTACT CIRCUIT IDENTIFIED BY EXTENDED LENGTH POLARIZED "KEY"

5 ELECTRICAL TEST:
100% OPEN SHORT&MISS WIRE TEST
CONTACT RESISTANCE: 2 OHM MAX

TE P/N
2829496-1



WIRE DIAGRAM

P1	COLOR
N	BLUE
L1	BROWN
PE	GREEN/YELLOW
L2 (NO PIN)	
S1	BLACK
S2	GRAY
L3 (NO PIN)	

1	PC	PANEL NUT	10	
1	PC	PANEL GASKET, SEALED NECTOR M	9	
AR	M	WIRE, ELEC, 18 AWG, HARMONIZED BLUE	8	
AR	M	WIRE, ELEC, 18 AWG, HARMONIZED BROWN	7	
AR	M	WIRE, ELEC, 18 AWG, HARMONIZED GREEN/YELLOW	6	
AR	M	WIRE, ELEC, 18 AWG, HARMONIZED BLACK	5	
AR	M	WIRE, ELEC, 18 AWG, HARMONIZED GRAY	4	
1	PC	SOCKET HOUSING, PANEL, 5P, A CODE SEALED	3	
5	PC	SCKT, NECTOR-M, AWG16-AWG18	2	
1	PC	CONN, NECTOR-M, POSITIONER, 7P, -2	1	
	QTY	UoM	DESCRIPTION	ITEM

THIS DRAWING IS A CONTROLLED DOCUMENT.		DWN T.BURZYŃSKI 15JUN2015	TE Connectivity	
		CHK D.E.MCCLURE 15JUN2015		
		APVD A.V.ZANDVOORT 15JUN2015	NAME	
		PRODUCT SPEC	PIGTAIL 5 POS BULKHEAD SOCKET STD HARMONIZED SEALED	
		APPLICATION SPEC		
		WEIGHT	SIZE A3	CAGE CODE 00779
			DRAWING NO C-2829496	RESTRICTED TO
		CUSTOMER DRAWING	SCALE NTS	SHEET 1 OF 1
				REV B