

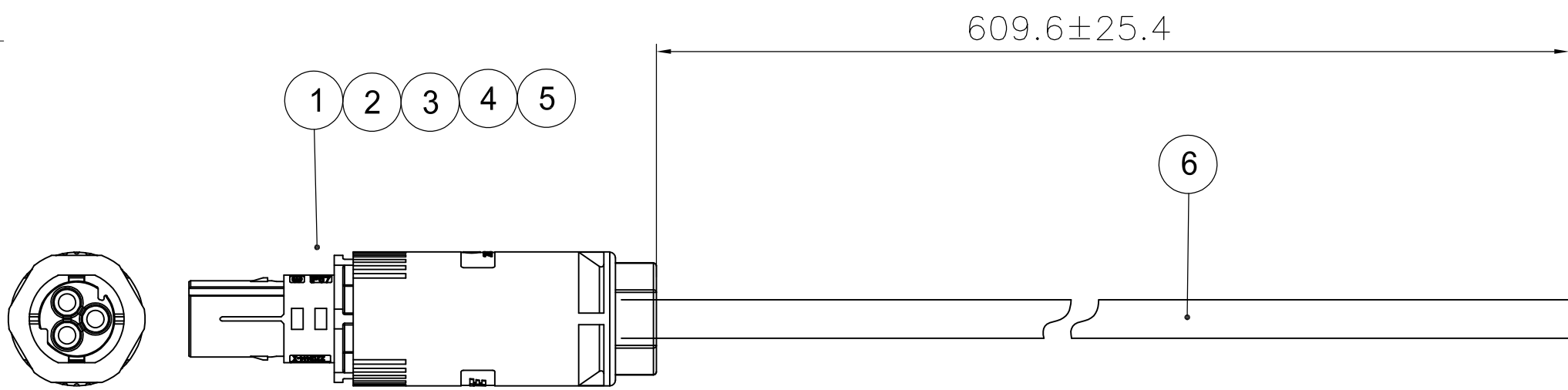
THIS DRAWING IS UNPUBLISHED. RELEASED FOR PUBLICATION  
 © COPYRIGHT - By - ALL RIGHTS RESERVED.

LOC	DIST	REVISIONS					
GP	00	P	LTR	DESCRIPTION	DATE	DWN	APVD
			B	INITIAL RELEASE	26AUG2015	DM	DM

NOTES:  
 1 EACH ITEM AND ASSEMBLY MUST COMPLY WITH EUROPEAN REDUCTION OF HAZARDOUS SUBSTANCES (RoHS) REGULATION. UNDER DIRECTIVE 2011/65/EU.

- 2 DO NOT SOLDER CONTACT, CRIMP ONLY
- 3 IDENTIFY POSITION PE, LOADING POSITIONER PE TO SOCKET PE
- 4 PE CONTACT CIRCUIT IDENTIFIED BY EXTENDED LENGTH POLARIZED "KEY"

5 ELECTRICAL TEST:  
 100% OPEN SHORT & MISS WIRE TEST  
 CONTACT RESISTANCE: 2 OHM MAX



CONNECTOR 1

2829463-1  
 TE P/N

WIRING SCHEME	
CONNECTOR HOUSING (ITEM 1)	WIRE
PE/	GREEN
N	WHITE
L	BLACK

QTY	UoM	DESCRIPTION	ITEM
0.661	M	Cable, SE00W, 14/3 Black, 13.74mm GENERAL CABLE 89073	6
1	PC	Cable Ring Nut 11-14mm OD	5
1	PC	Cable Clamp/Seal Assembly 11-14mm OD	4
1	PC	Contact/Positioner Assembly	3
3	PC	Pin Contacts	2
1	PC	Pin Housing Assembly	1

THIS DRAWING IS A CONTROLLED DOCUMENT.		DWN T.BURZYŃSKI 25MAY2015	TE Connectivity													
DIMENSIONS: mm		CHK A.V.ZANDVOORT 25MAY2015														
TOLERANCES UNLESS OTHERWISE SPECIFIED:		APVD A.V.ZANDVOORT 25MAY2015	NAME SEALED 3 POS PIN- STD UL													
<table border="0"> <tr><td>0 PLC</td><td>± 0,5</td></tr> <tr><td>1 PLC</td><td>± 0,5</td></tr> <tr><td>2 PLC</td><td>± 0,5</td></tr> <tr><td>3 PLC</td><td>± -</td></tr> <tr><td>4 PLC</td><td>± -</td></tr> <tr><td>ANGLES</td><td>± 2°</td></tr> </table>		0 PLC	± 0,5	1 PLC	± 0,5	2 PLC	± 0,5	3 PLC	± -	4 PLC	± -	ANGLES	± 2°	PRODUCT SPEC -	SIZE A3	
0 PLC	± 0,5															
1 PLC	± 0,5															
2 PLC	± 0,5															
3 PLC	± -															
4 PLC	± -															
ANGLES	± 2°															
MATERIAL -		FINISH -	CAGE CODE 00779	DRAWING NO C-2829463												
		WEIGHT -	RESTRICTED TO -													
CUSTOMER DRAWING			SCALE NTS	SHEET 1 OF 1												
			REV B													