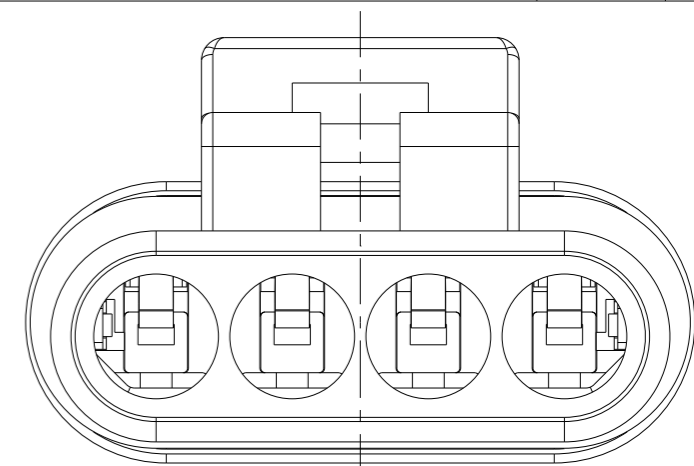
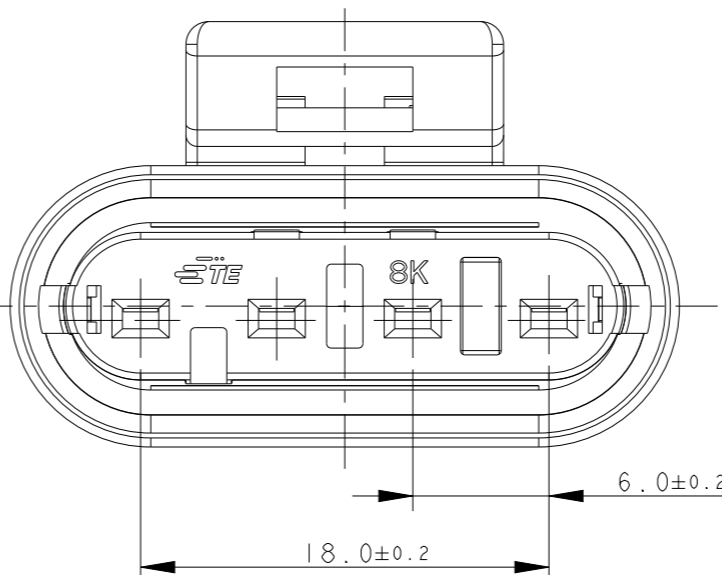
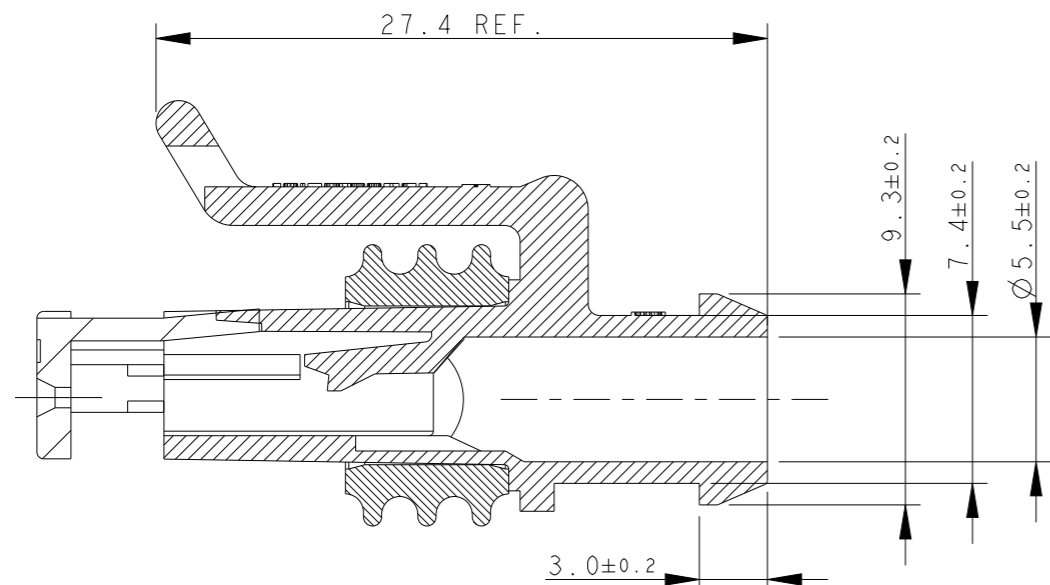
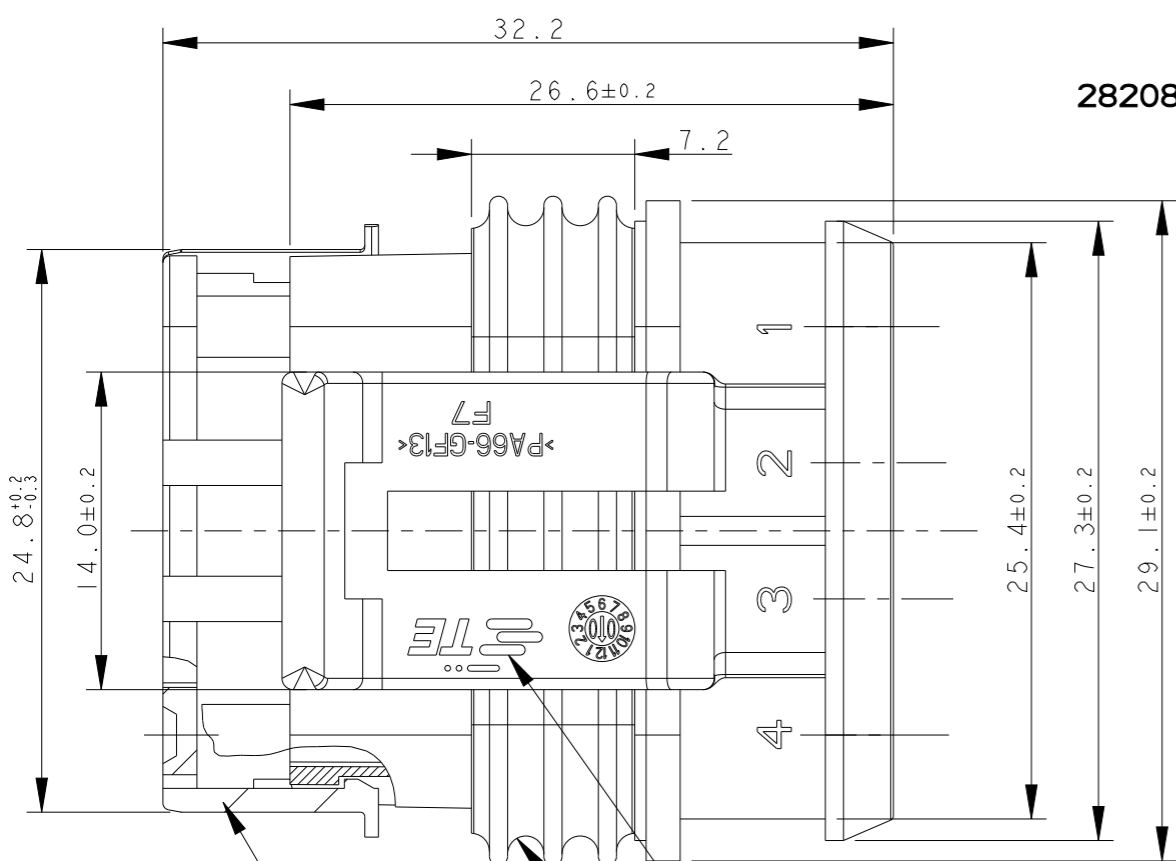


REVISIONS

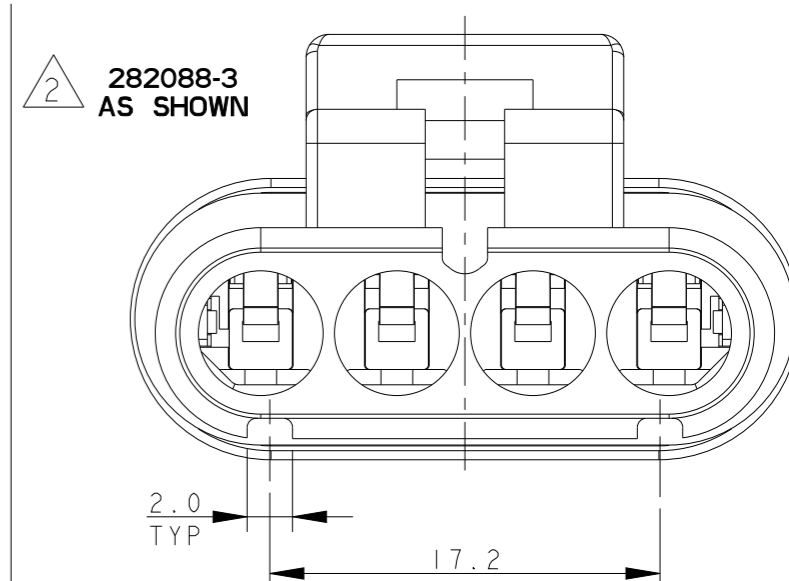
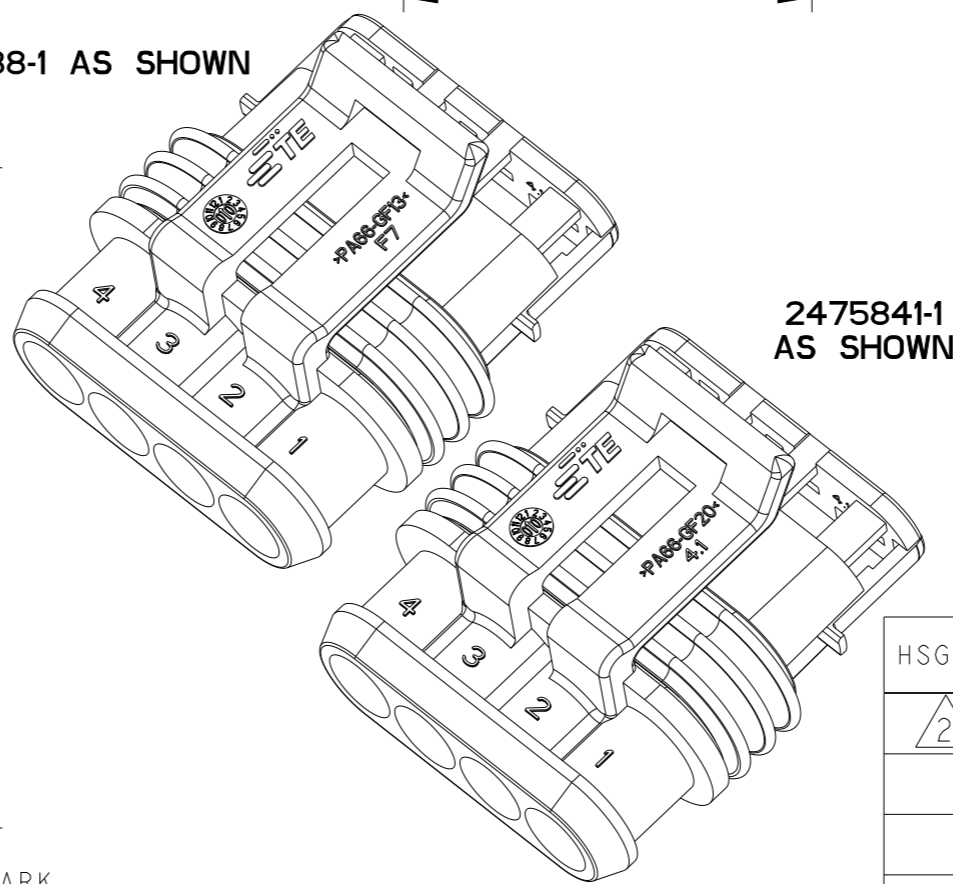
P	LTR	DESCRIPTION	DATE	DWN	APVD
F 4		REVISED PER ECO-17-001706	10FEB2017	C. A.	M. G.
F 5		REVISED PER ECN-24-254961	06MAR2024	V. N.	V. N.



VIEW FROM "A"



282088-1 AS SHOWN



282088-3 AS SHOWN

2475841-1 AS SHOWN

TE CONNECTIVITY TRADE MARK,
 (IN ALTERNATIVE: "AMP" LOGO, OR "Tyco Electronics" LOGO)

SEALING
 (COLOUR YELLOW)

PRE-ASSEMBLED SECONDARY LOCK
 (COLOUR RED)

1) FOR COUNTERPART DETAILS, SEE SHEET 2 OF 2

2 282088-3 DIFFERS FROM -1 FOR WHAT INDICATED

COLOUR	MATERIAL	PART NUMBER
HSG+SL - WHITE	ACC. TO IEC 60335-1 HSG+SL: PA66GF20 UL94-V2 SEALING: LSR	2475841-1
2 BLACK	HOUSING+SEC.LOCK: PA66-GF SEALING: LSR	282088-3
GRAY		282088-2
BLACK		282088-1

THIS DRAWING IS A CONTROLLED DOCUMENT.

DIMENSIONS: mm	TOLERANCES UNLESS OTHERWISE SPECIFIED:
	0 PLC ±-
	1 PLC ±0.3
	2 PLC ±-
	3 PLC ±-
	4 PLC ±-
	ANGLES ±2°
MATERIAL	FINISH
SEE TABLE	SEE TABLE

DWN	C. BERTINI	05-1992
CHK	A. BRUNI	05-1992
APVD	-	-
PRODUCT SPEC	108-20090	
APPLICATION SPEC	412-20000	
WEIGHT	4.65gr	
Customer Drawing		

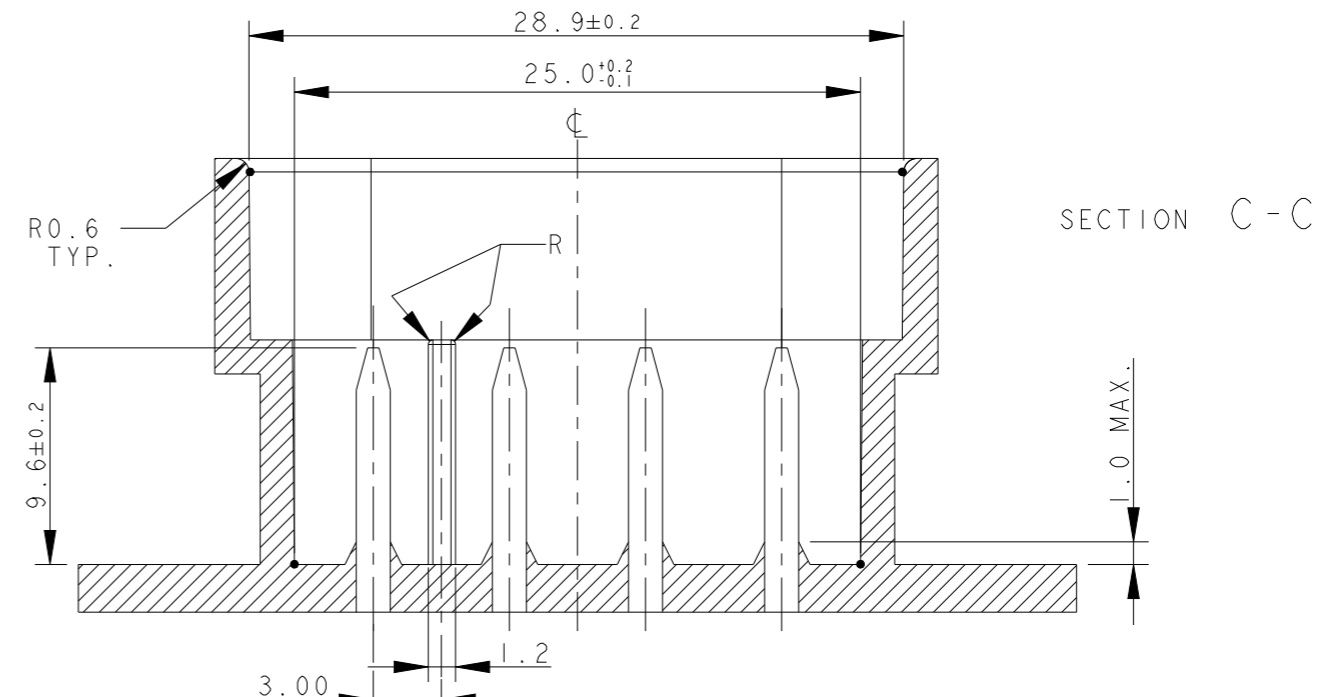
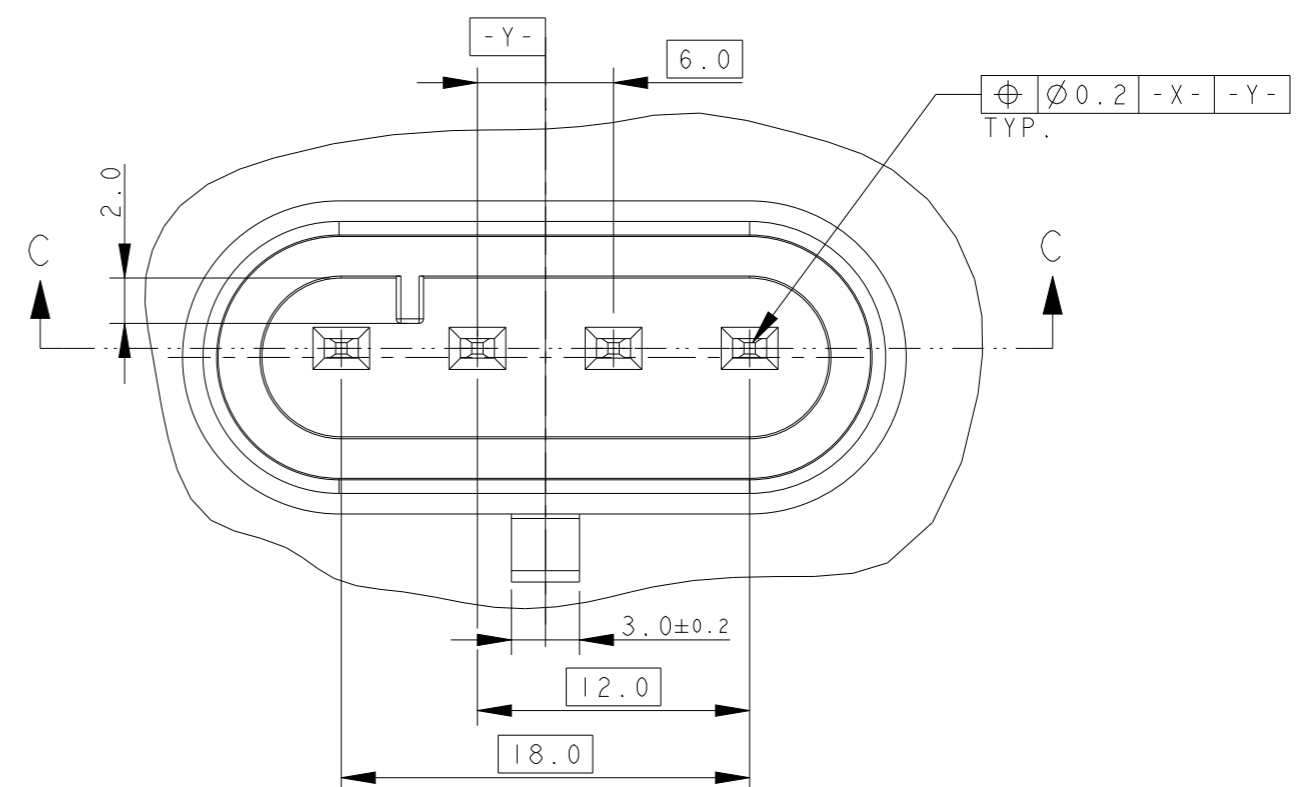
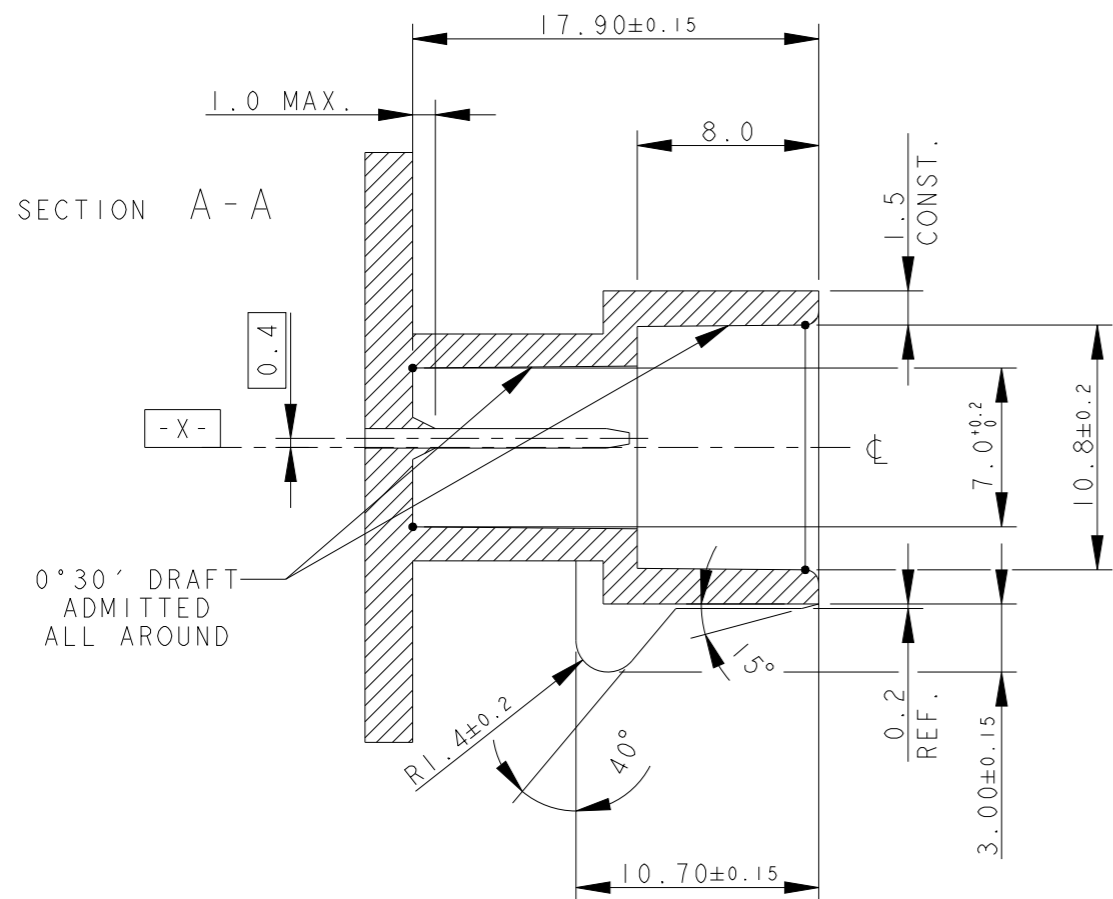


AMP SUPERSEAL 1.5 SRS.
 4 POSITIONS PLUG ASS'Y

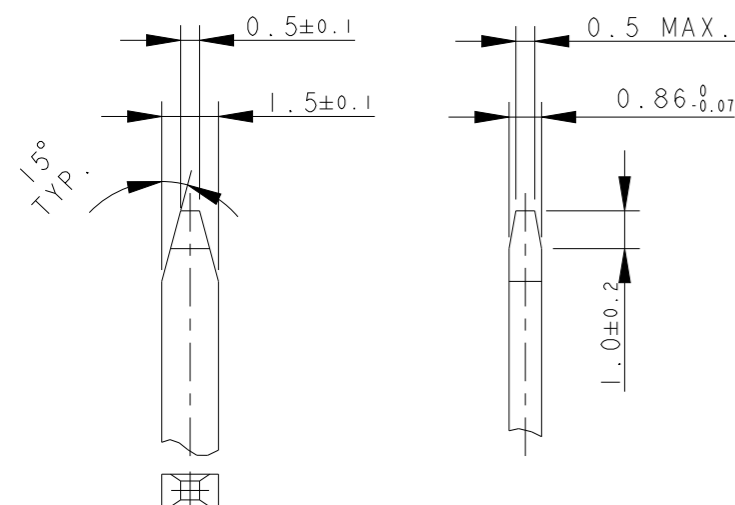
SIZE	CAGE CODE	DRAWING NO	RESTRICTED TO
A3	00779	C-282088	-
SCALE	SHEET	OF	REV
3:1	1	2	F5

P	LTR	DESCRIPTION	DATE	DWN	APVD
-	-	SEE SHEET 1		-	-

COUNTERPART DETAILS



TAB DETAILS



MATERIALS: PA66-GF FOR HOUSING
TIN PLATED BRASS FOR TABS

THIS DRAWING IS A CONTROLLED DOCUMENT.

DWN C. BERTINI 05-1992

CHK A. BRUNI 05-1992

APVD -

NAME

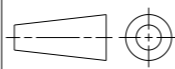


DIMENSIONS:

mm

TOLERANCES UNLESS OTHERWISE SPECIFIED:

- 0 PLC ±0.3
- 1 PLC ±0.1
- 2 PLC ±0.05
- 3 PLC ±
- 4 PLC ±
- ANGLES ±2°
- FINISH



MATERIAL



PRODUCT SPEC 108-20090

APPLICATION SPEC 412-20000

WEIGHT 4.65gr

AMP SUPERSEAL 1.5 SRS.
4 POSITIONS PLUG ASS'Y

SIZE	CAGE CODE	DRAWING NO	RESTRICTED TO
A3	00779	C-282088	-

Customer Drawing	SCALE 1:1	SHEET 2 OF 2	REV F5
------------------	-----------	--------------	--------