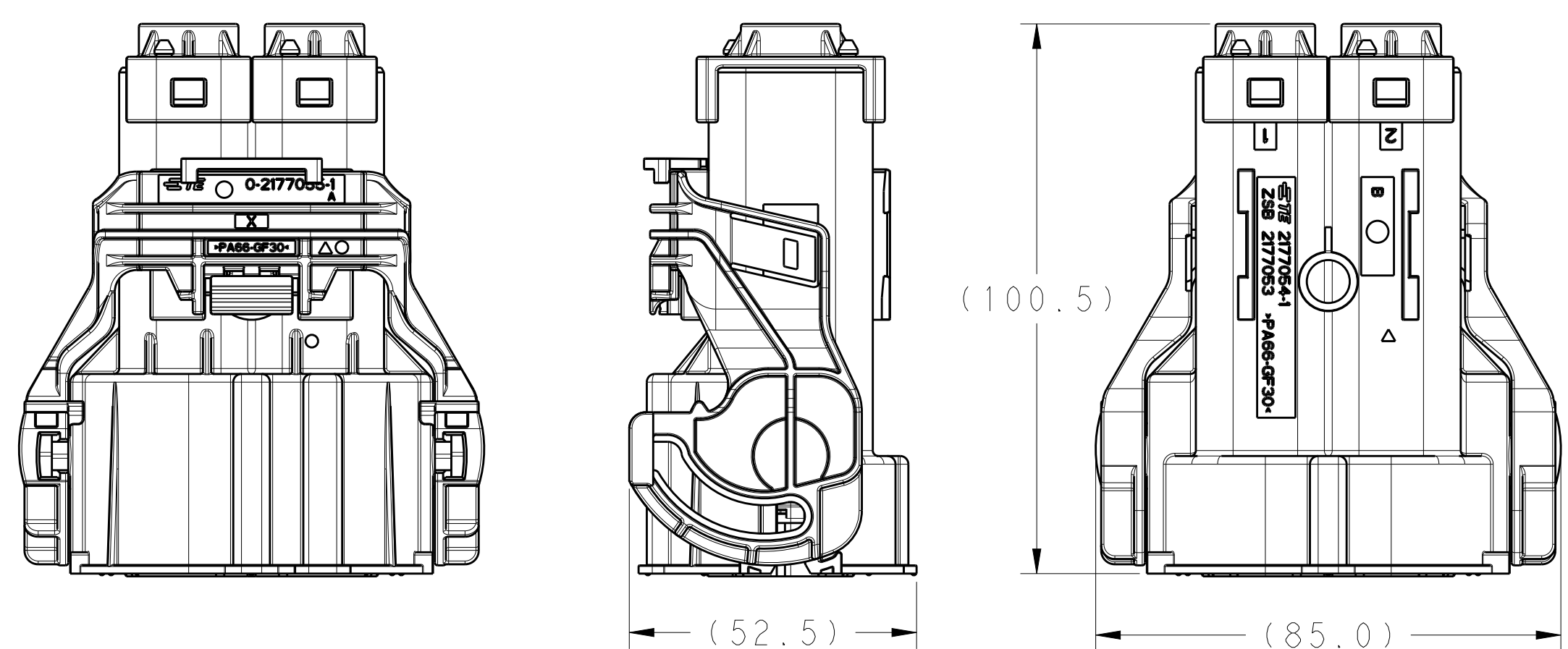
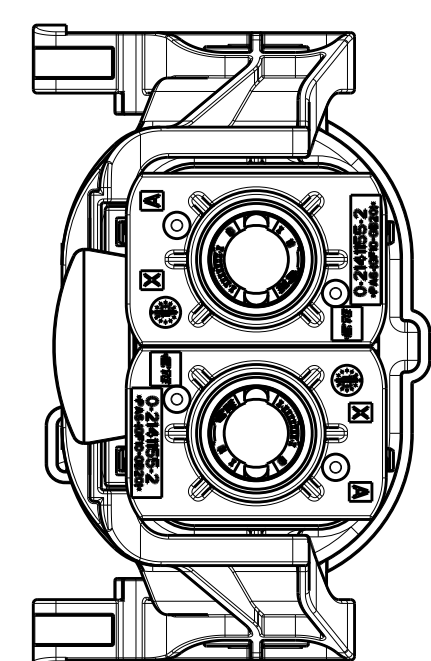
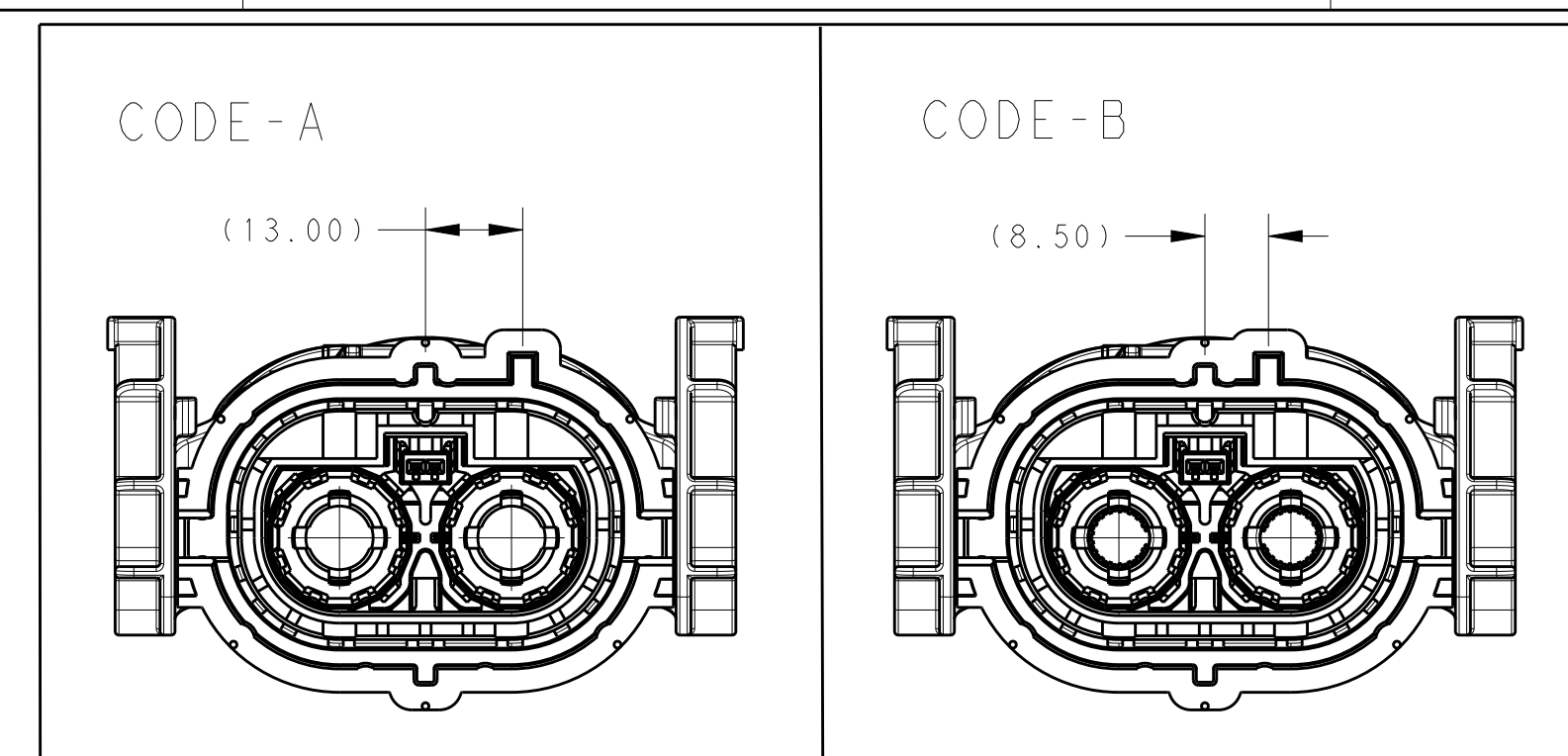
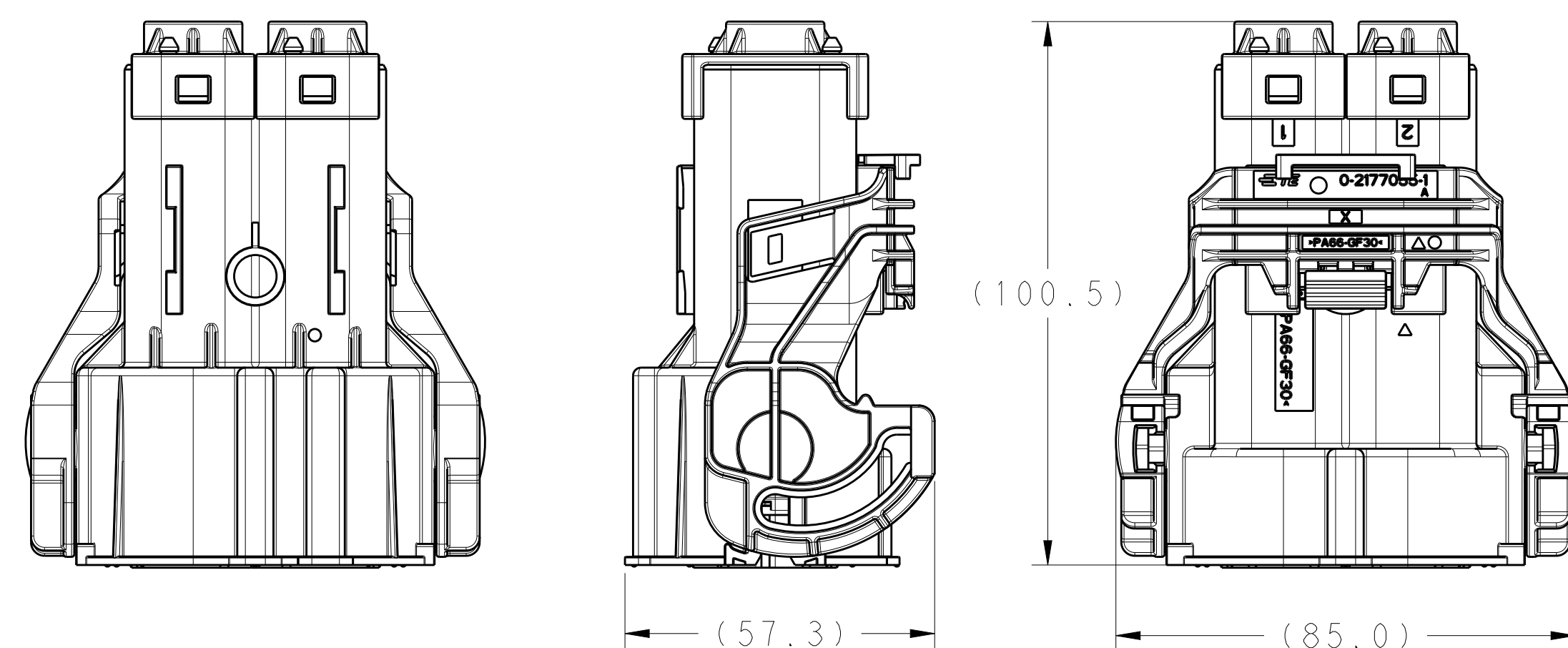
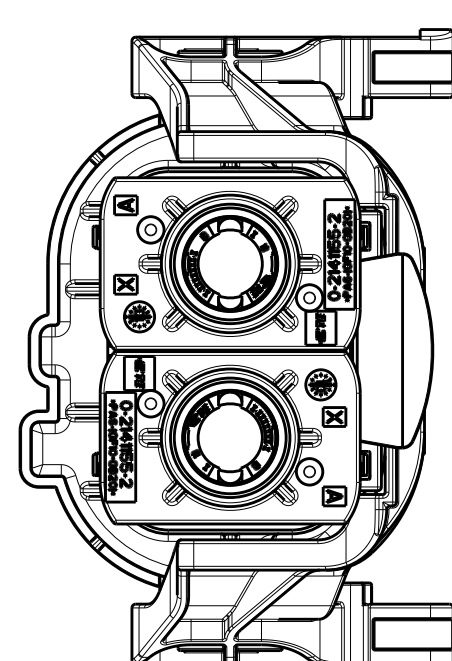


LEVER OPERATION SIDE ○



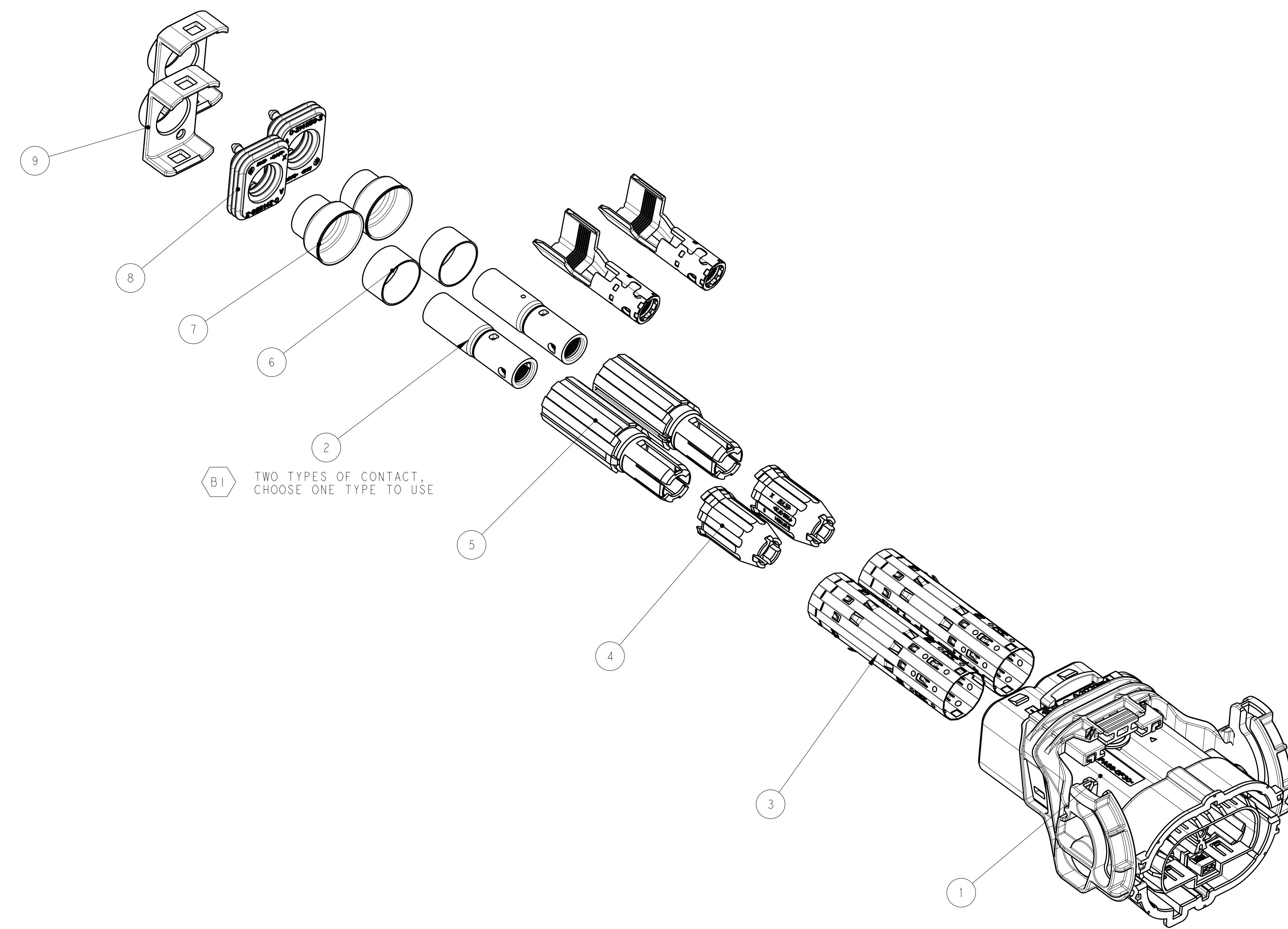
LEVER OPERATION SIDE Δ



REVISIONS				
REV	DATE	DESCRIPTION	BY	APPD
A	RELEASED		30DEC14	RZ LY
B	REVISED ECR-17-016430		18NOV17	RZ E.J
B1	REVISED ECR-19-014932		23SEP19	Z.Z E.J

NOTES:

- ITEMS FROM 1 TO 9 IN ASSEMBLY STATUS AS SHOWN ONLY FOR REFERENCE
 - FINAL TEST: VISUAL INSPECTION FOR COMPLETENESS
 - COMPONENTS PACKAGE INDIVIDUALLY, ALL PACKAGES TOGETHER IN THE CARTON BOX
 - CONSULT INDIVIDUAL CUSTOMER DRAWINGS FOR DETAIL INFORMATION.
- Δ APPLICATION TEMP. -40°C ~ 125°C



CABLE DIMENSION 50MM ² ACC. LV216	2	2	2	2	2141155-1	PROTECTION COVER 8MM HV	9
	2	2	2	2	2141156-1	SINGLE WIRE SEAL, 8MM HV	8
	2	2	2	2	2177090-1	SHIELD CRIMP SLEEVE	7
	2	2	2	2	2307013-1	SHIELD CRIMP FERRULE, INNER	6
	2	2	2	2	2177058-1	INSULATION INSERT 180°	5
	2	2	2	2	2177059-1	FINGER PROTECTION CAP 8MM HV,180°	4
	2	2	2	2	2319655-3	SHIELDING SLEEVE,180°	3
	2	2	2	2	2177592-1 OR 2208608-3	CONTACT 180°	2
	1	-	-	-	1-2177053-4	2POS, 8MM HV, REC HSG, 180°, ASSY, SEALED, CODE B	1
	-	1	-	-	1-2177053-3	2POS, 8MM HV, REC HSG, 180°, ASSY, SEALED, CODE B	
-	-	1	-	1-2177053-2	2POS, 8MM HV, REC HSG, 180°, ASSY, SEALED, CODE A		
-	-	-	1	1-2177053-1	2POS, 8MM HV, REC HSG, 180°, ASSY, SEALED, CODE A		
CABLE SIZE	2-**-4	2-**-3	2-**-2	2-**-1	P/N	DESCRIPTION	ITEM
	B ○	B Δ	A ○	A Δ		CODING	
	QUANTITY REQUIRED				PART LIST		

CABLE DIMENSION 35MM ² ACC. LV216	2	2	2	2	2141155-2	PROTECTION COVER 8MM HV	9
	2	2	2	2	2141156-2	SINGLE WIRE SEAL, 8MM HV	8
	2	2	2	2	2177090-2	SHIELD CRIMP SLEEVE	7
	2	2	2	2	2307013-1	SHIELD CRIMP FERRULE, INNER	6
	2	2	2	2	2177058-1	INSULATION INSERT 180°	5
	2	2	2	2	2177059-1	FINGER PROTECTION CAP 8MM HV,180°	4
	2	2	2	2	2319655-3	SHIELDING SLEEVE,180°	3
	2	2	2	2	2177590-1 OR 2208608-3	CONTACT 180°	2
	1	-	-	-	1-2177053-4	2POS, 8MM HV, REC HSG, 180°, ASSY, SEALED, CODE B	1
	-	1	-	-	1-2177053-3	2POS, 8MM HV, REC HSG, 180°, ASSY, SEALED, CODE B	
-	-	1	-	1-2177053-2	2POS, 8MM HV, REC HSG, 180°, ASSY, SEALED, CODE A		
-	-	-	1	1-2177053-1	2POS, 8MM HV, REC HSG, 180°, ASSY, SEALED, CODE A		
CABLE SIZE	1-**-4	1-**-3	1-**-2	1-**-1	P/N	DESCRIPTION	ITEM
	B ○	B Δ	A ○	A Δ		CODING	
	QUANTITY REQUIRED				PART LIST		

CABLE DIMENSION 25MM ² ACC. LV216	2	2	2	2	2141155-3	PROTECTION COVER 8MM HV	9
	2	2	2	2	2141156-3	SINGLE WIRE SEAL, 8MM HV	8
	2	2	2	2	2177090-3	SHIELD CRIMP SLEEVE	7
	2	2	2	2	2307013-1	SHIELD CRIMP FERRULE, INNER	6
	2	2	2	2	2177058-1	INSULATION INSERT 180°	5
	2	2	2	2	2177059-1	FINGER PROTECTION CAP 8MM HV,180°	4
	2	2	2	2	2319655-3	SHIELDING SLEEVE,180°	3
	2	2	2	2	2177473-1 OR 2208669-3	CONTACT 180°	2
	1	-	-	-	1-2177053-4	2POS, 8MM HV, REC HSG, 180°, ASSY, SEALED, CODE B	1
	-	1	-	-	1-2177053-3	2POS, 8MM HV, REC HSG, 180°, ASSY, SEALED, CODE B	
-	-	1	-	1-2177053-2	2POS, 8MM HV, REC HSG, 180°, ASSY, SEALED, CODE A		
-	-	-	1	1-2177053-1	2POS, 8MM HV, REC HSG, 180°, ASSY, SEALED, CODE A		
CABLE SIZE	**-4	**-3	**-2	**-1	P/N	DESCRIPTION	ITEM
	B ○	B Δ	A ○	A Δ		CODING	
	QUANTITY REQUIRED				PART LIST		

-1 AS SHOWN

THIS DRAWING IS A CONTROLLED DOCUMENT. DIMENSIONS: (mm) UNLESS OTHERWISE SPECIFIED. DATE: 23MAY2018. DRAWN BY: T. ZHANG. CHECKED BY: S.Y. WANG. APPROVED BY: Y.H. WANG. PRODUCT SPEC: Refer to 108-9429/S. EXPECTATION SPEC: Refer to 114-94130. WEIGHT: -. CUSTOMER DRAWING. SCALE: 4:1. SHEET: 1 OF 1. REV: B1.

STE TE Connectivity
 2POS 8MM HV. PLUG 180DEG. ASSY
 SIZE: A0. CASE CODE: -. DRAWING NO: 2306614. RESTRICTED TO: -. SCALE: 4:1. SHEET: 1 OF 1. REV: B1.