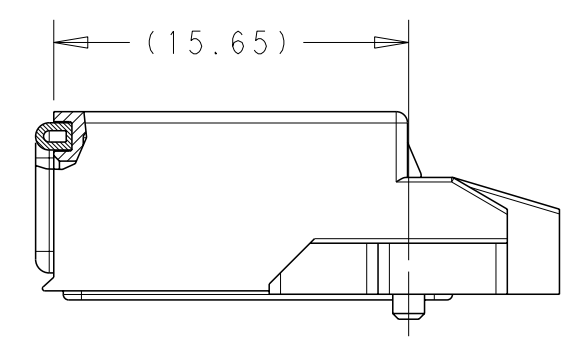
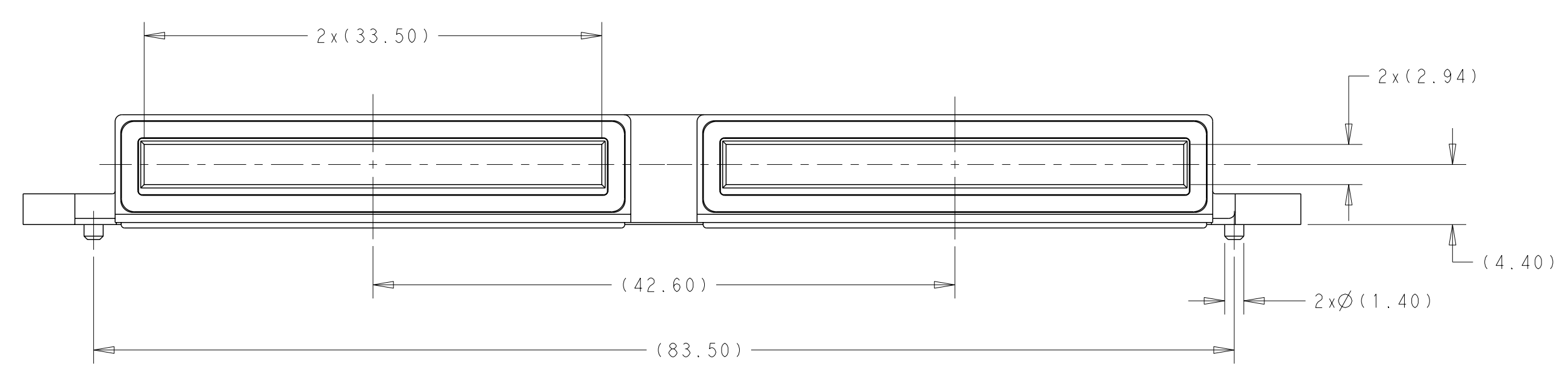
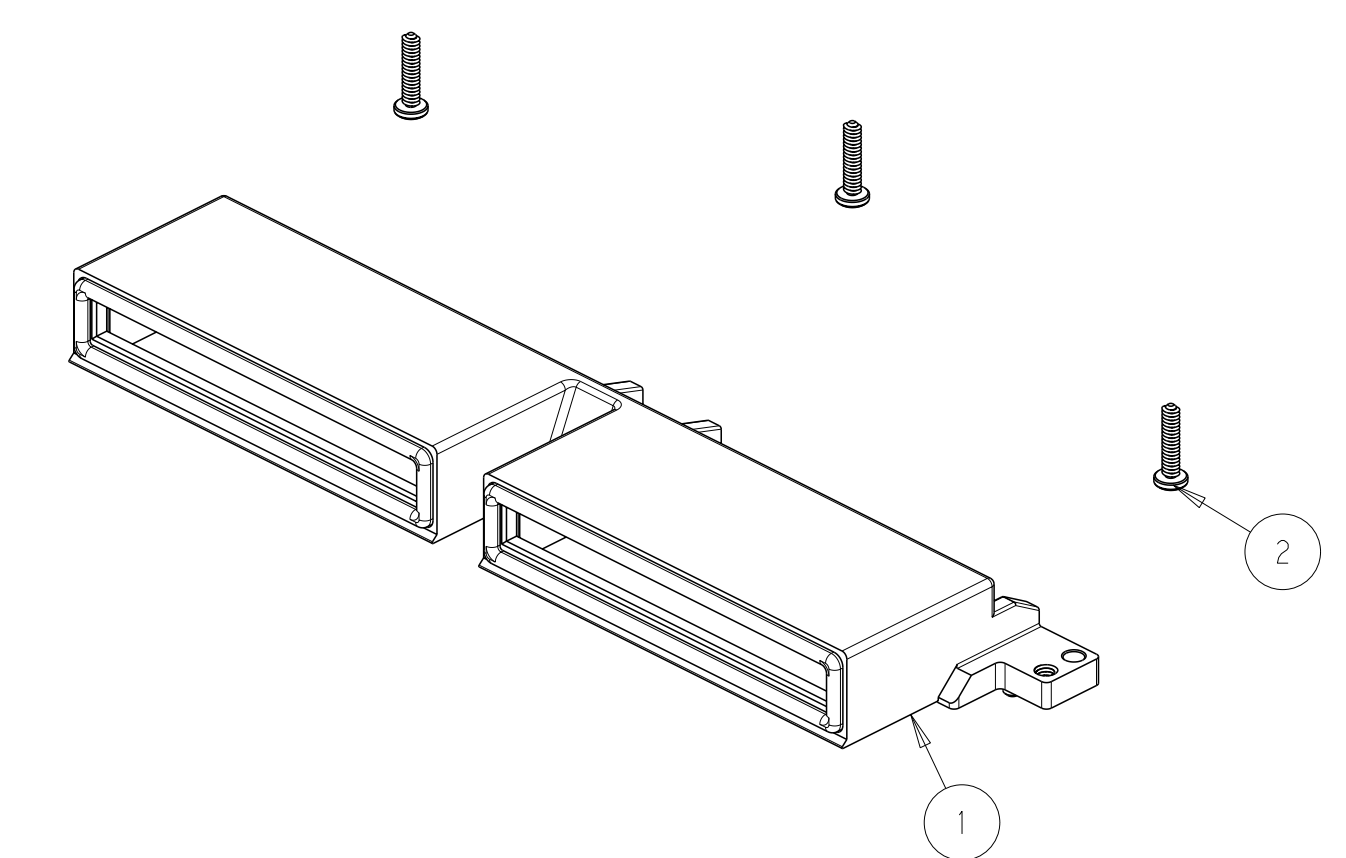
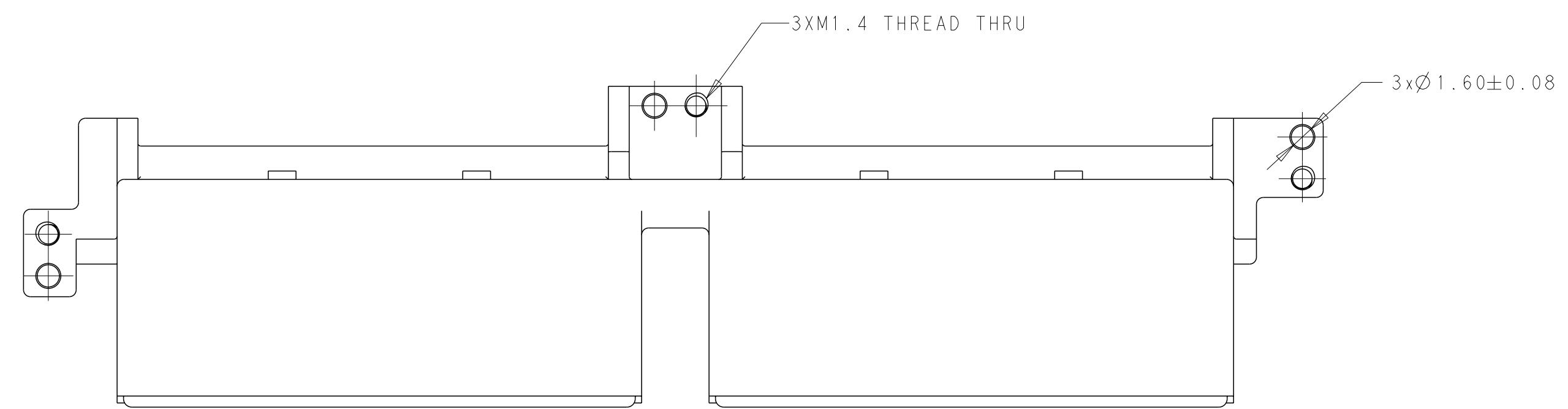
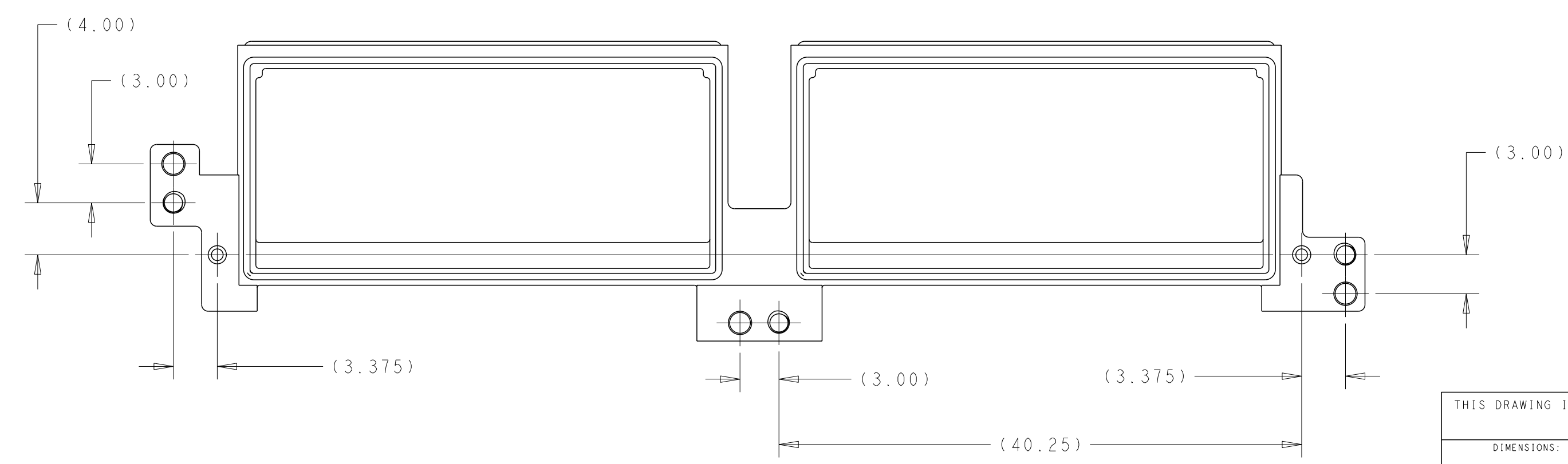


THIS DRAWING IS UNPUBLISHED. RELEASED FOR PUBLICATION 20
 © COPYRIGHT 20 BY - ALL RIGHTS RESERVED.

REVISIONS					
P	LTR	DESCRIPTION	DATE	DWN	APVD
A		INITIAL RELEASE	10JUL2018	AD	SH
B		CHANGE GASKETS AND DIE-CAST STRUCTURES	19MAY2020	IT	SH



- 1. MATERIAL: RECEPTACLE COVER- ZN/C ALLOY
 GASKET: SILICON
 SCREW: STAINLESS STEEL
- 2. PLATING: RECEPTACLE COVER- 1.27um NICKEL OVER COPPER PLATED
- 3. PACKAGED AS SEPARATED KITS IN ONE BOX
- 4. MATE WITH MSA COMPLIANT TRANSCEIVER



3	2292789-1	M1.4X6 SCREW	2
1	2287077-1	RECEPTACLE COVER	1
-1	PART NUMBER	DESCRIPTION	ITEM

THIS DRAWING IS A CONTROLLED DOCUMENT.		DWN ANDY.CIE 01JUN2016	TE Connectivity	
DIMENSIONS: mm		CHK SEAN.HAN 01JUN2016		
TOLERANCES UNLESS OTHERWISE SPECIFIED:		APVD SEAN.HAN 01JUN2016	NAME RECEPTACLE COVER WITH SCREW CFP2 1X2	
0 PLC ± 1 PLC ±0.25 2 PLC ±0.15 3 PLC ±0.10 4 PLC ± ANGLES ± FINISH ±		PRODUCT SPEC -	SIZE A2	
MATERIAL SEE NOTE		APPLICATION SPEC -	CAGE CODE -	DRAWING NO G-2304454
		WEIGHT -	RESTRICTED TO -	
		CUSTOMER DRAWING	SCALE 1:1	SHEET 1 OF 1 REV B