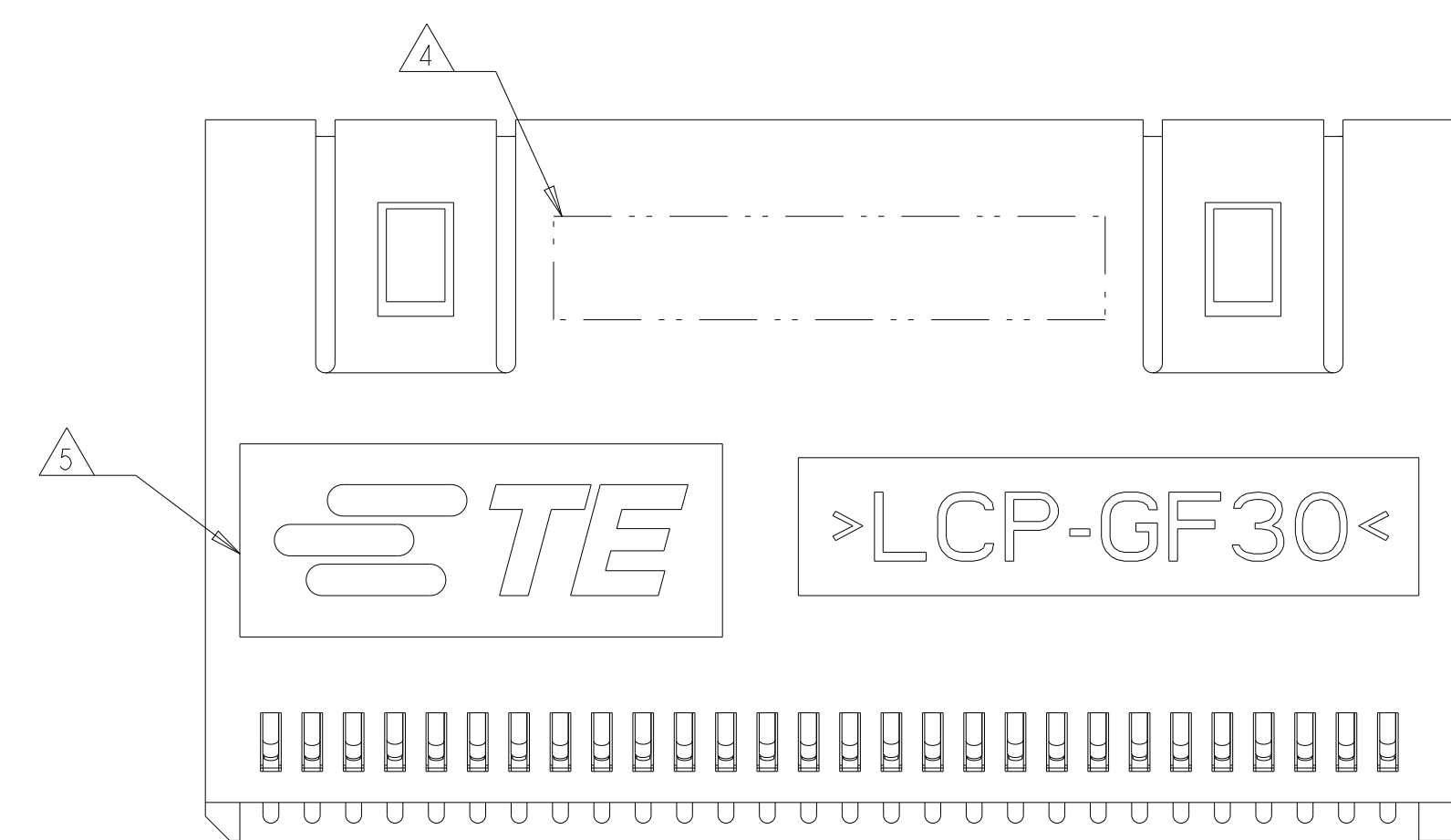
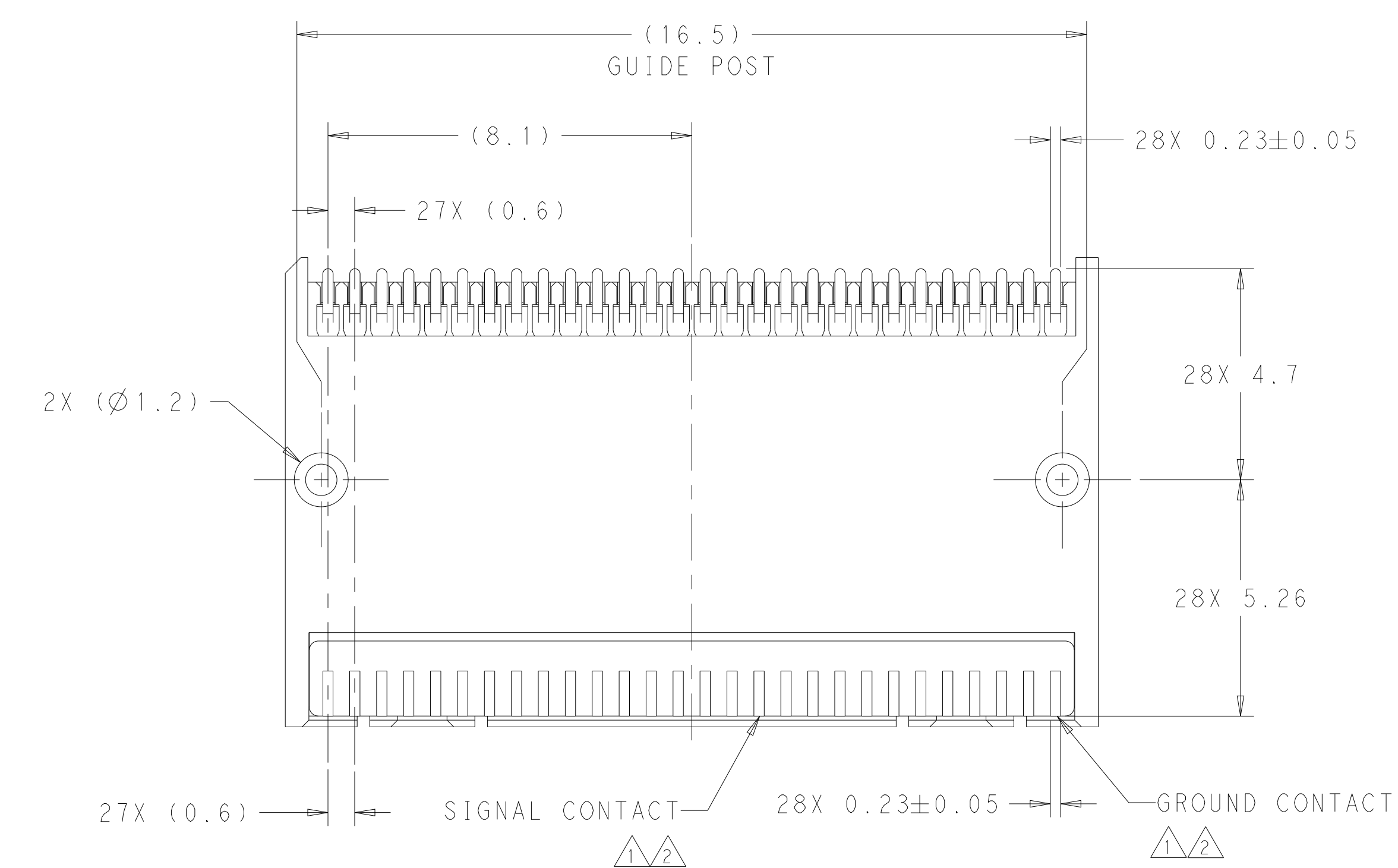
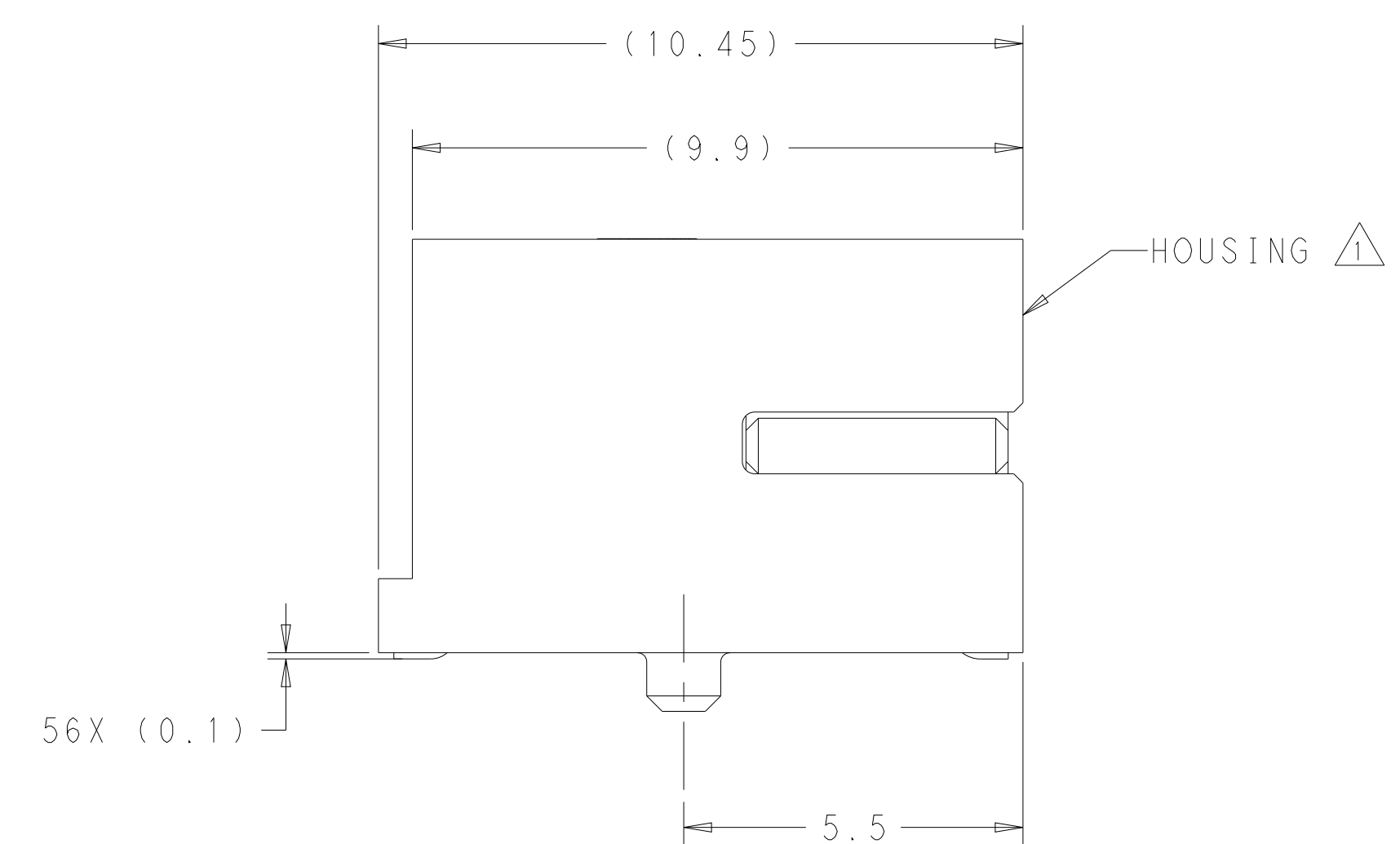
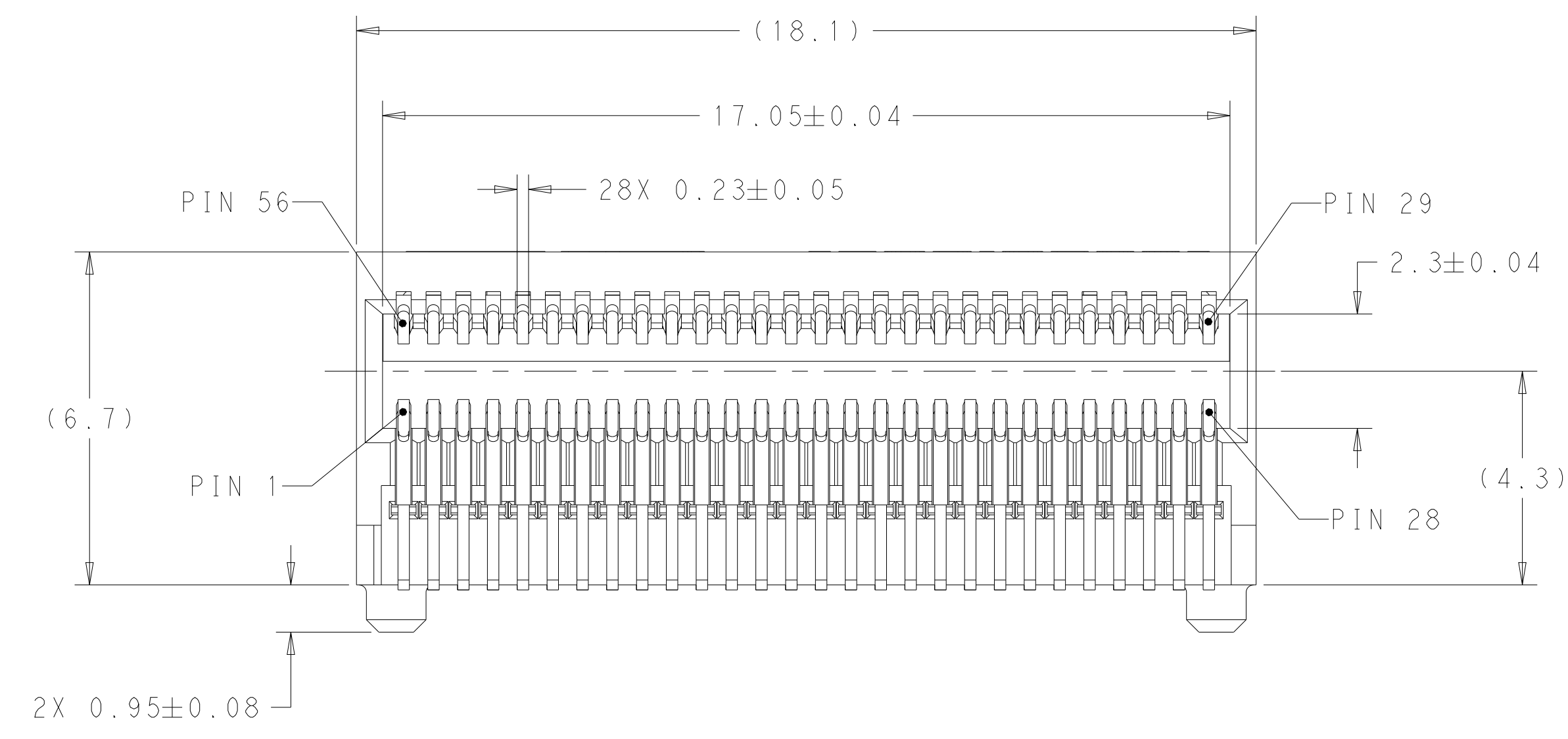


REVISIONS				
P	LTN	DESCRIPTION	DATE	APVD
A		RELEASED PER ECO-18-005803	26APR2018	MS JW
A1		REVISED PER ECN-22-166973	01AUG2022	AK SZ



- ⚠ MATERIALS:  
 HOUSING- POLYESTER LCP, UL 94V-0  
 SIGNAL CONTACT- COPPER ALLOY.  
 GROUND CONTACT- COPPER ALLOY.
- ⚠ CONTACT FINISH: CONFORMS TO THE REQUIREMENTS OF TE PRODUCT SPECIFICATION 108-32103, BASED ON EIA/ECA-364-1000.01A, (CONTROLLED ENVIRONMENT APPLICATIONS) ON MATING INTERFACE, GOLD FLASH ON SOLDER TAIL.
- ⚠ DATUM AND BASIC DIMENSION ESTABLISHED BY CUSTOMER.
- ⚠ PART NUMBER AND DATE CODE MARKED IN APPROXIMATE AREA SHOWN.
- ⚠ MANUFACTURER'S LOGO APPROXIMATELY AS SHOWN.

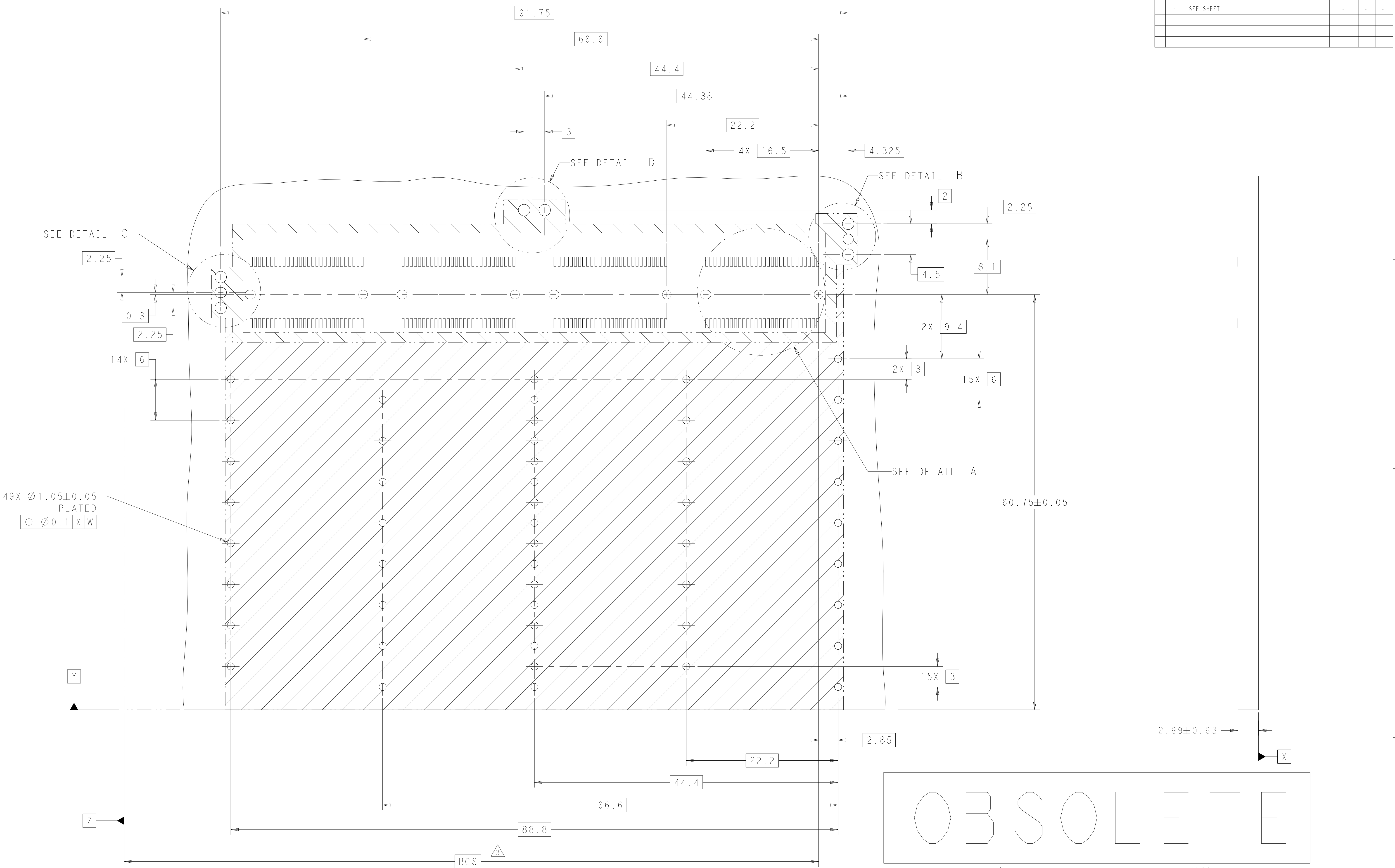


OBSOLETE

2288229-1  
 PART NUMBER

THIS DRAWING IS A CONTROLLED DOCUMENT.		DWN B. MATTHEWS 01MAY2015	NAME CONNECTOR ASSEMBLY, RECEPTACLE, CFP4	
DIMENSIONS:		CHK M. SCHMITT 01MAY2015	APVD M. SCHMITT 01MAY2015	
TOLERANCES UNLESS OTHERWISE SPECIFIED:		PRODUCT SPEC 108-32103		RESTRICTED TO
mm		APPLICATION SPEC 114-32146		SIZE CAGE CODE DRAWING NO
0 PLC ±		WEIGHT		A1 00779 C=2288229
1 PLC ±0.1		CUSTOMER DRAWING		SCALE 10:1 SHEET 1 OF 4 REV A1
2 PLC ±				
3 PLC ±				
4 PLC ±				
ANGLES ±				
FINISH				

REVISIONS				
P.	LTN.	DESCRIPTION	DATE	APVD.
-	-	SEE SHEET 1	-	-

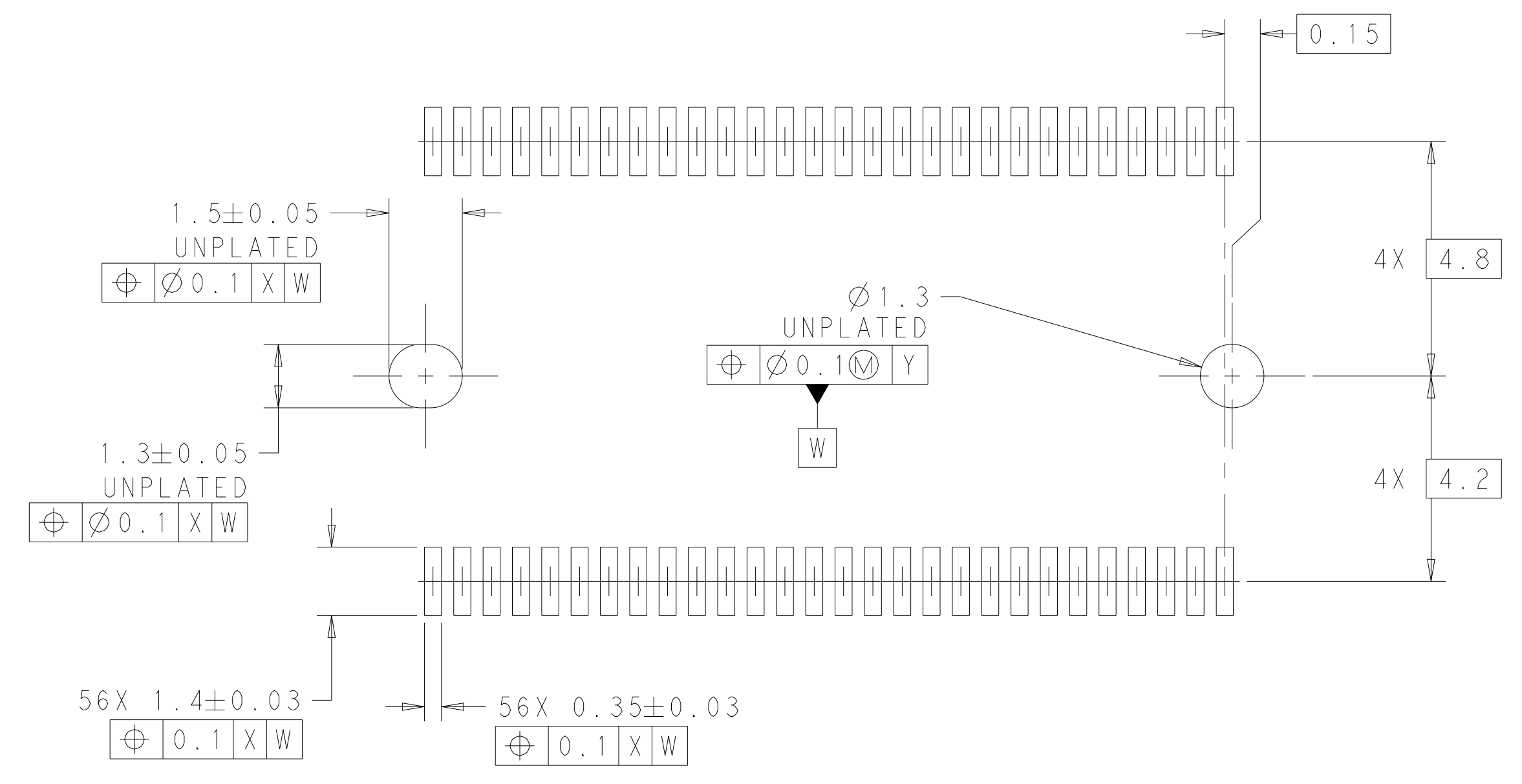


RECOMMENDED PCB LAYOUT  
SCALE 4:1  
SINGLE SIDED APPLICATION  
1X1 CONFIGURATION SHOWN

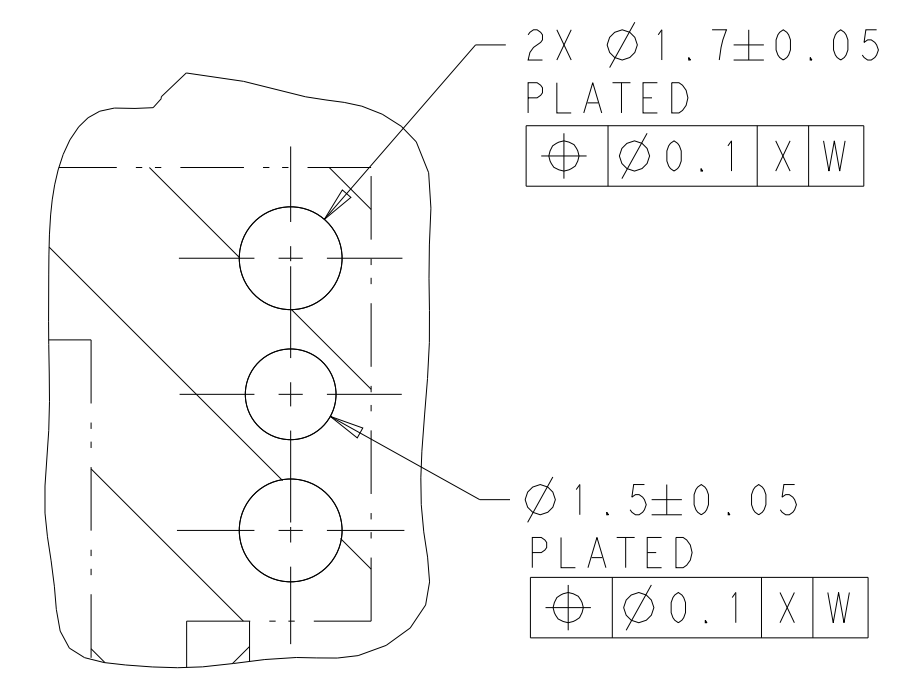
OBSOLETE

THIS DRAWING IS A CONTROLLED DOCUMENT.		OWN: B. MATTHEWS 01MAY2015	TE Connectivity
DIMENSIONS: mm		CHK: M. SCHMITT 01MAY2015	
TOLERANCES UNLESS OTHERWISE SPECIFIED:		APVD: M. SCHMITT 01MAY2015	NAME: CONNECTOR ASSEMBLY, RECEPTACLE, CFP4 PRODUCT SPEC: 108-32103 APPLICATION SPEC: 114-32146 MATERIAL: - FINISH: - WEIGHT: - CUSTOMER DRAWING
0 PLC ±		SIZE: A1	
1 PLC ±0.1		CAGE CODE: 100779	
2 PLC ±0.1		DRAWING NO: 2288229	
3 PLC ±		SCALE: 10:1	RESTRICTED TO: -
4 PLC ±		SHEET: 2 OF 4	
ANGLES ±		REV: A1	

REVISIONS				
P	LTN	DESCRIPTION	DATE	APVD
-	-	SEE SHEET 1	-	-

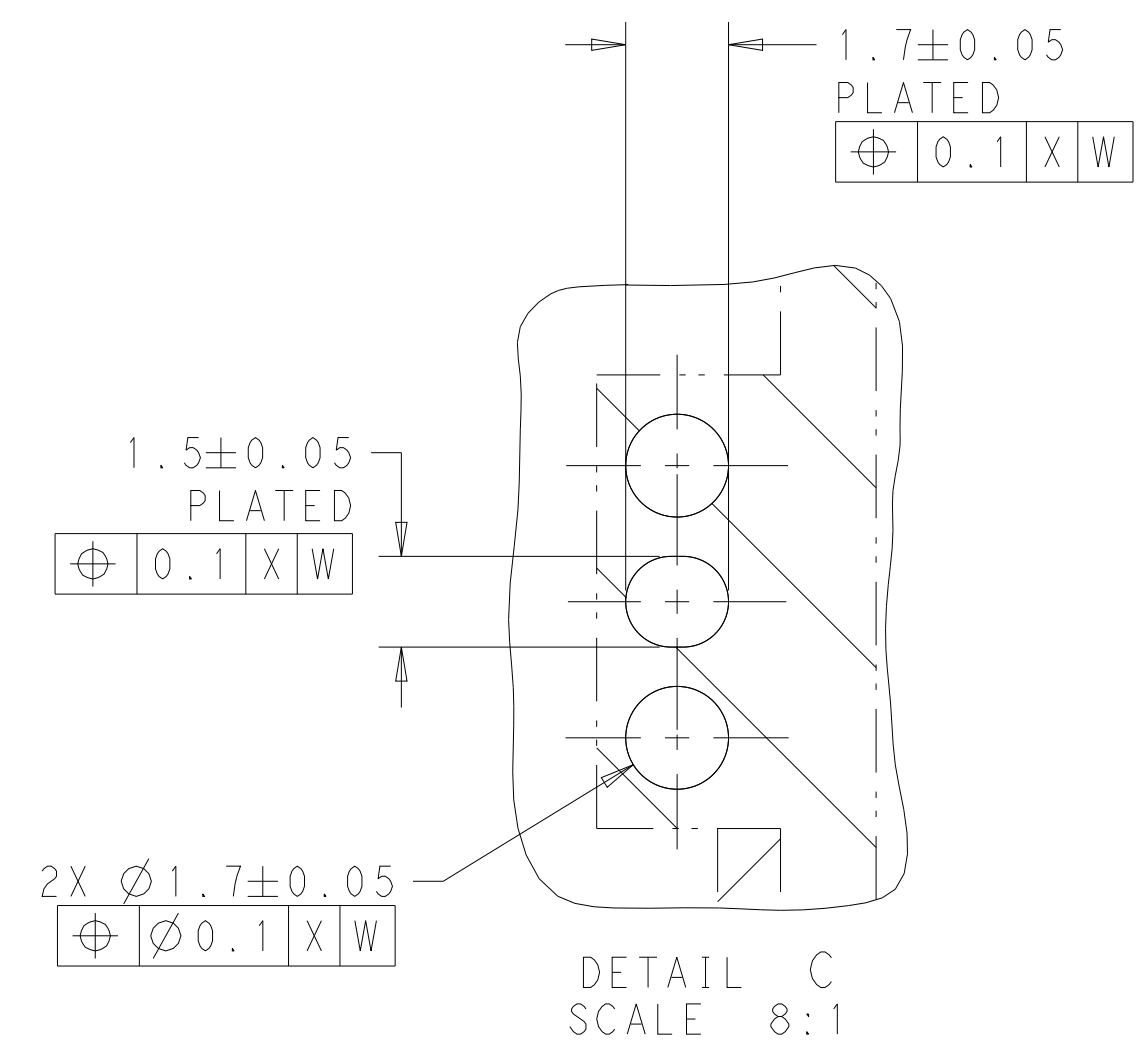


DETAIL A  
 4X INDIVIDUALLY  
 SCALE 10:1

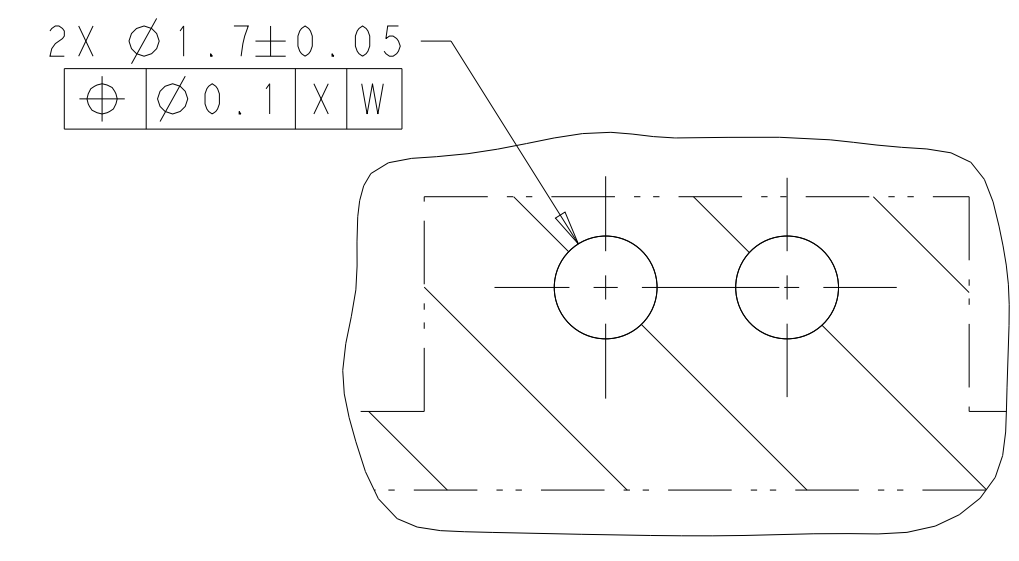


DETAIL B  
 SCALE 8:1

OBSOLETE



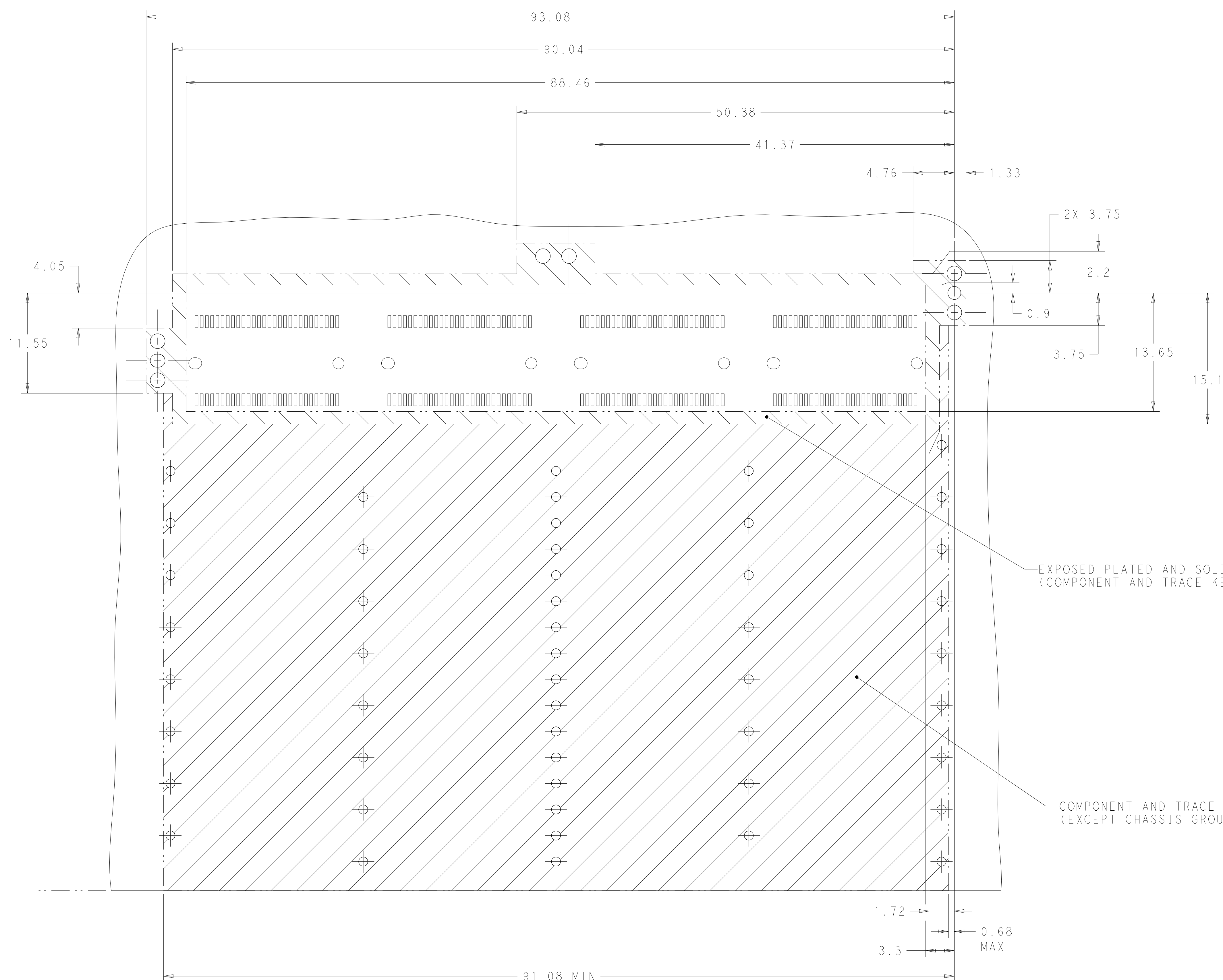
DETAIL C  
 SCALE 8:1



DETAIL D  
 SCALE 8:1

THIS DRAWING IS A CONTROLLED DOCUMENT.		OWN: B. MATTHEWS 01MAY2015	TE Connectivity
DIMENSIONS: mm		CHK: M. SCHMITT 01MAY2015	
TOLERANCES UNLESS OTHERWISE SPECIFIED: 0 PLC ± 1 PLC ±0.1 2 PLC ± 3 PLC ± 4 PLC ± ANGLES ± FINISH ±		APVD: M. SCHMITT 01MAY2015	NAME: CONNECTOR ASSEMBLY, RECEPTACLE, CFP4
MATERIAL: -		PRODUCT SPEC: 108-32103	SIZE: A1
CUSTOMER DRAWING		APPLICATION SPEC: 114-32146	CAGE CODE: -
SCALE: 10:1		WEIGHT: -	DRAWING NO: 2288229
SHEET 3 OF 4		REV: A1	

REVISIONS				
P	LTN	DESCRIPTION	DATE	APVD
-	-	SEE SHEET 1	-	-



EXPOSED PLATED AND SOLDERMASK PULLED BACK  
 (COMPONENT AND TRACE KEEP-OUT AREA)

COMPONENT AND TRACE KEEP-OUT AREA  
 (EXCEPT CHASSIS GROUND)

OBSOLETE

SCALE 4:1

THIS DRAWING IS A CONTROLLED DOCUMENT.		OWN B. MATTHEWS 01MAY2015	TE Connectivity
DIMENSIONS: mm		CHK M. SCHMITT 01MAY2015	
TOLERANCES UNLESS OTHERWISE SPECIFIED:		APVD M. SCHMITT 01MAY2015	NAME CONNECTOR ASSEMBLY, RECEPTACLE, CFP4
0 PLC ±	1 PLC ±0.1	PRODUCT SPEC 108-32103	SIZE A1
2 PLC ±	3 PLC ±	APPLICATION SPEC 114-32146	CAGE CODE 00779
4 PLC ±	ANGLES ±	WEIGHT	DRAWING NO. 2288229
MATERIAL	FINISH	CUSTOMER DRAWING	RESTRICTED TO
SCALE 10:1			SHEET 4 OF 4
REV A1			