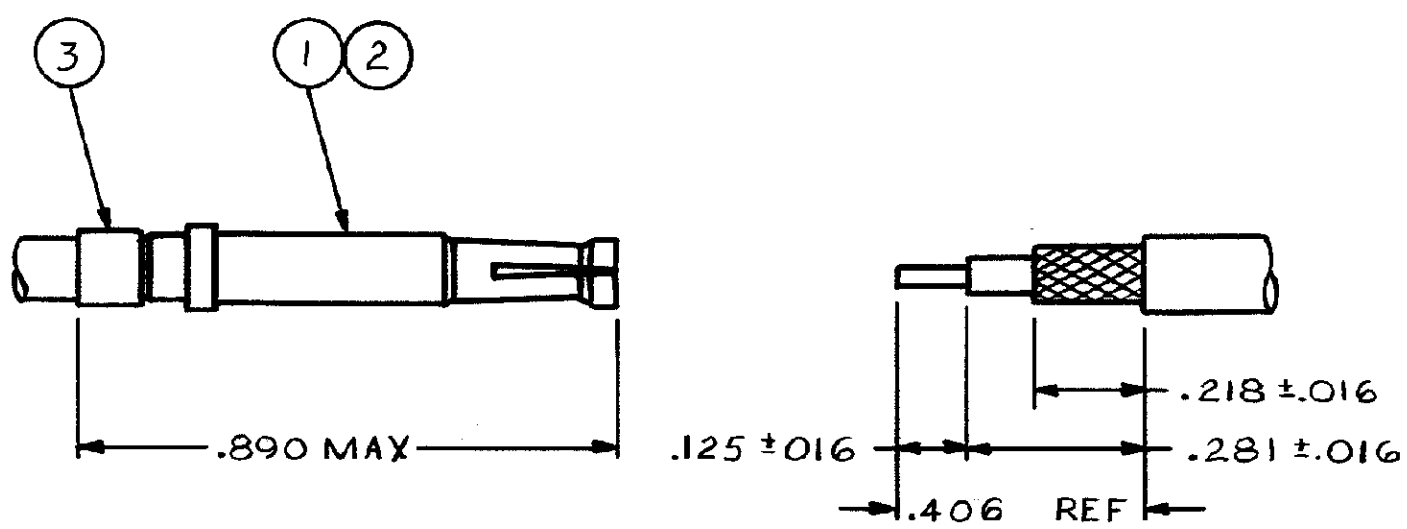


THIS DRAWING IS UNPUBLISHED. RELEASED FOR PUBLICATION . 19 .
 © COPYRIGHT 19 BY AMP INCORPORATED, HARRISBURG, PA. ALL INTERNATIONAL RIGHTS RESERVED. AMP PRODUCTS MAY BE COVERED BY U.S. AND FOREIGN PATENTS AND/OR PATENTS PENDING.

REVISIONS						
P	F	ZONE	LTR	DESCRIPTION	DATE	APPROVED
✓	✓			D REV & REDWN AJ-1033	3/18/85	myk sc



RECOMMENDED STRIP LENGTH

- FOR USE WITH RG: 188/U, 316/U CABLE
- FERRULE CRIMPING TOOL: DANIELS TOOL M22520/4-01 & POSITIONER NO GP475 OR AMP TOOL 601963-1 & POSITIONER NO 601963-2
- CONTACT CRIMPING TOOL: DANIELS TOOL M22520/2-01 & POSITIONER NO K370 OR AMP TOOL 601966-1 & POSITIONER NO 2-601966-8, WITH SETTING NO 2
- SEE I.S. 2348-4
- PRODUCT IS DESIGNED TO MEET PRODUCT SPEC 108-12045

ITEM	QTY	DESCRIPTION	PART NO
3	1	FERRULE	1-225573-1
2	1	CONTACT	225954-2
1	1	SHELL ASSY	225951-1

UNLESS OTHERWISE SPECIFIED DIMENSIONS ARE IN INCHES. TOLERANCES ON: DECIMALS ± ANGLES ± =	CONTRACT NO		AMP AMP INCORPORATED Harrisburg, Pa.	
	DR <i>M. Lane 3-8-85</i>			
	CIRC <i>T. Smith 3/1/85</i>		NAME CONNECTOR, COAXIAL, RF, SOCKET, SIZE 15, ARINC	
	APPD <i>S.S.P. 3-22-85</i>		SIZE B	FSCM NO 00779
MATERIAL	APPD	DSGN APPD	SCALE NTS	SHEET
FINISH	OTHER APPD <i>myk sc 3/24/85</i>			