

THIS DRAWING IS UNPUBLISHED.

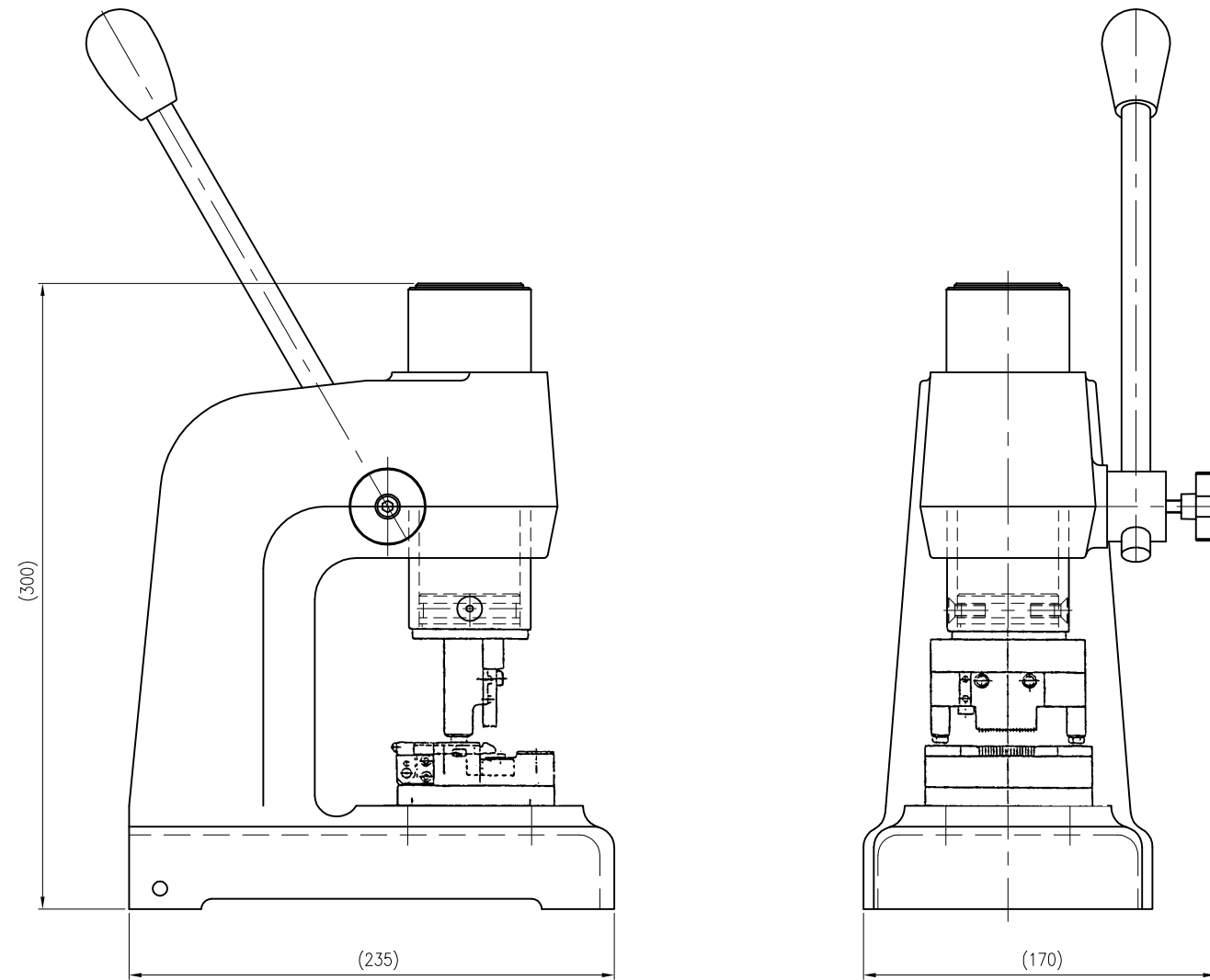
RELEASED FOR PUBLICATION

© COPYRIGHT - By -

ALL RIGHTS RESERVED.

REVISIONS

P	LTR	DESCRIPTION	DATE	DWN	APVD
C		ECR-17-004346 REACTIVE	28MAR2017	SN	JK



仕様 (Specifications)

- (1) 外観寸法 (OVERALL) : W170×D235×H300
(The handle bar part is excluded.)
- (2) 重量 (WEIGHT) : 約8.2kg (about 8.2kg)
- (3) 適用コネクタ (APPLICABLE CONNECTOR) : CT CONNECTOR
□-173977-□
□-173983-□
□-173985-□
- (4) 適用ワイヤー (APPLICABLE WIRE) : 114-5103 および 114-5104参照
(Please see 114-5103 and 114-5104.)
- (5) 取扱説明書 (INSTRUCTION SHEET) : 408-78079

THIS DRAWING IS A CONTROLLED DOCUMENT.

DWN	K. MARUYAMA	28MAY2014
CHK	K. MARUYAMA	28MAY2014
APVD	S. SUZUKI	28MAY2014



DIMENSIONS:	TOLERANCES UNLESS OTHERWISE SPECIFIED:
mm	
	0 PLC ± -
	1 PLC ± -
	2 PLC ± -
	3 PLC ± -
	4 PLC ± -
	ANGLES ± -

PRODUCT SPEC	NAME
APPLICATION SPEC	CT CONN MANUAL MINI PRESS

MATERIAL	FINISH
-	-

WEIGHT	SIZE	CAGE CODE	DRAWING NO	RESTRICTED TO
	A3	00779	C=2255254-1	-

SCALE	SHEET	REV
---	1 of 1	C