

THIS DRAWING IS UNPUBLISHED. RELEASED FOR PUBLICATION 20
 © COPYRIGHT 20 BY - ALL RIGHTS RESERVED.

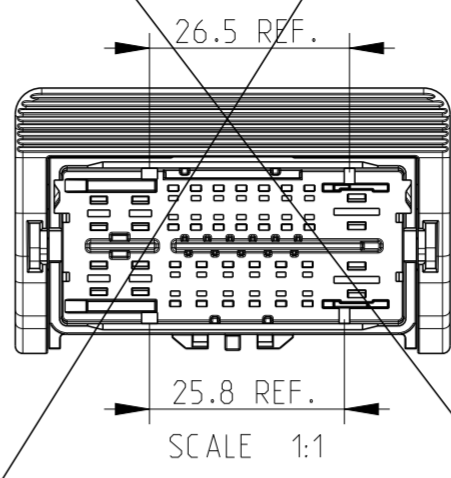
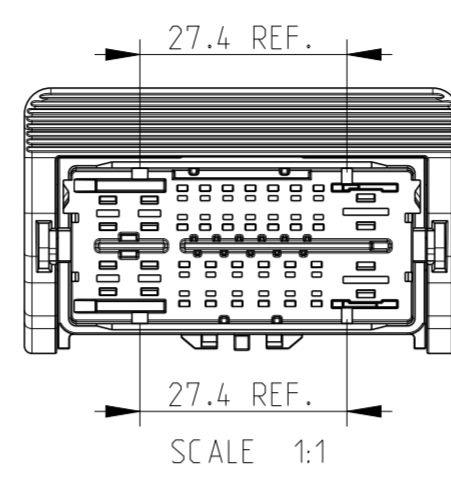
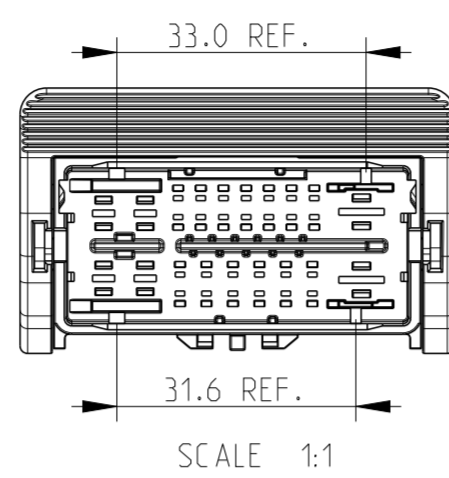
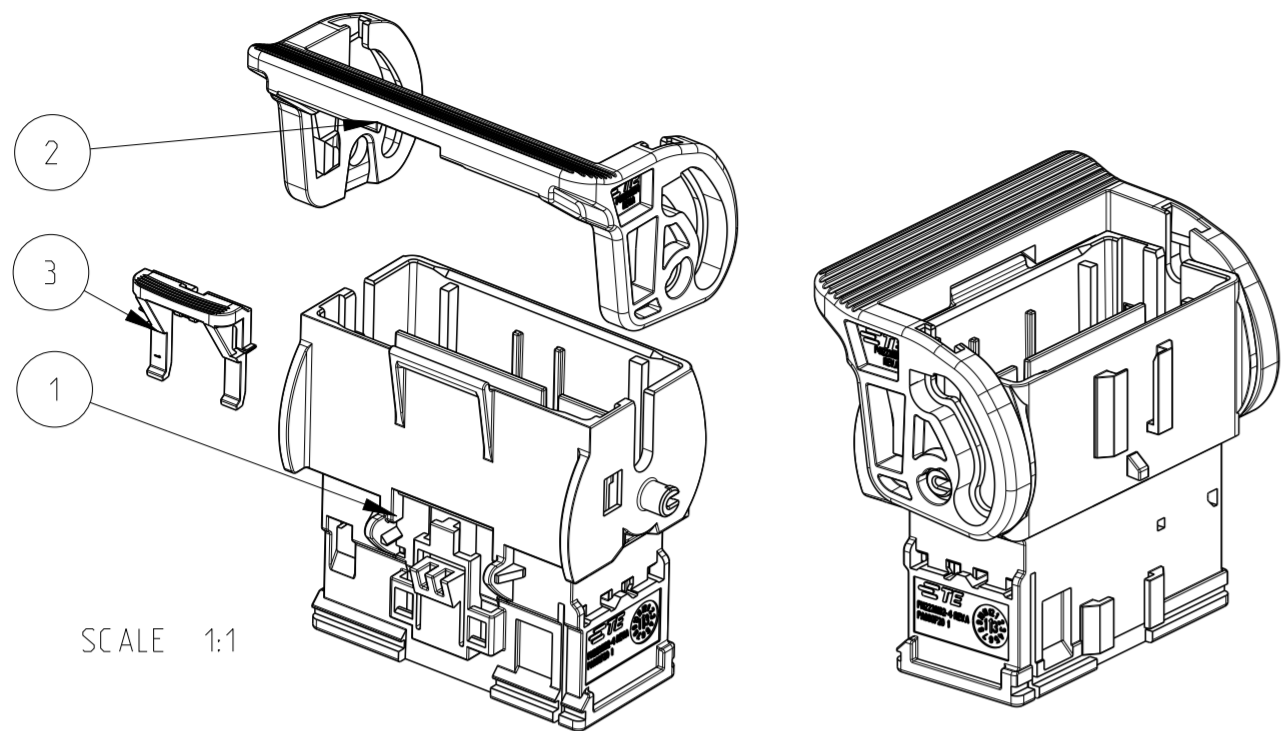
CODE A (BLACK)
 2236046-7 &
 1-2236046-0

CODE B (GREY)
 2236046-8 &
 1-2236046-1

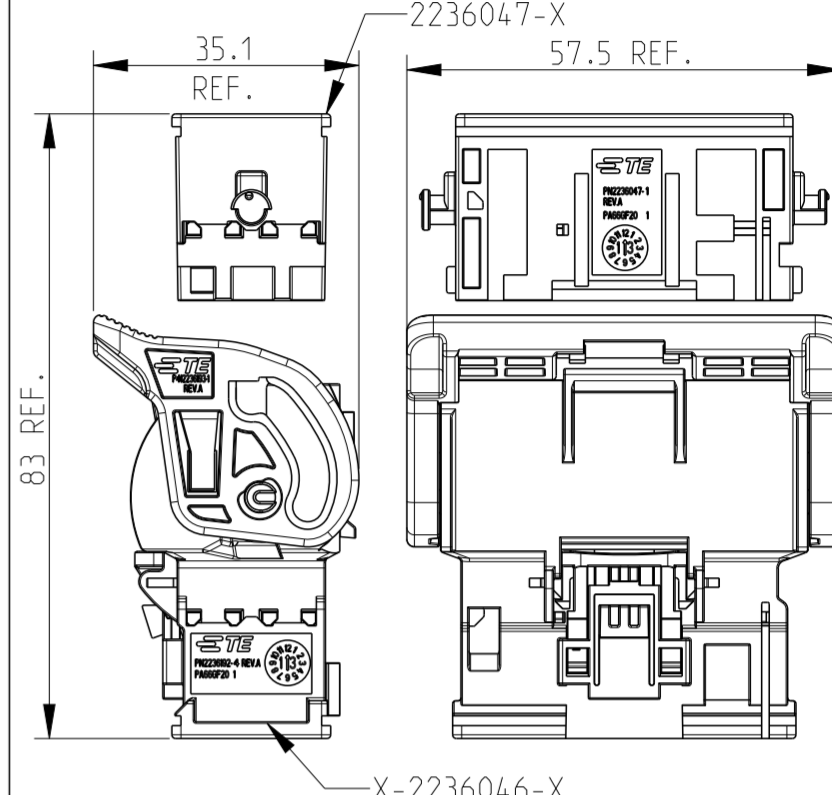
CODE C (BROWN)
 2236046-9 &
 1-2236046-2

LOC -
 DIST -

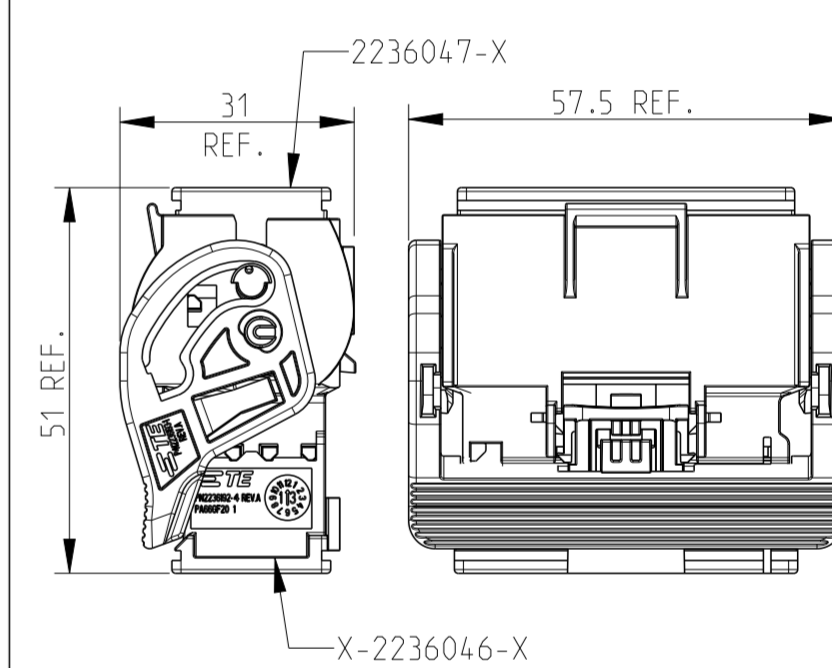
REVISIONS				
P	LTR	DESCRIPTION	DATE	APVD
A		FIRST ISSUE	07APR2014	SDM A.P.
A1		REVISED FOR ECR-14-009256	23JUN2014	SDM A.P.
A2		CODE C ACTIVE NOT YET RELEASED	15JUL2015	SDM A.P.
A3		ECR-16-009218 OBSOLETE -1,-2,-3,-4,-5,-6. ADDED PICTURES OF CODES INDICATION	05SEP2016	SDM M.G.



OVERALL DIMENSIONS BEFORE MATING



OVERALL DIMENSIONS AFTER MATING



4 CAVITIES SUITABLE FOR TAB 2.8 (CAV. 1,2,3,4)

Sn PLTD P/N	WIRE RANGE [mm ²] (RANGO FILO)	REFERENCE DRW. (DISEGNO DI RIF.)
1-963860-1	0.2-0.5	C-1355052
1-962841-1	0.5-1.0	
1-962842-1	>1.0-2.5	
1-968946-1	>2.5-4.0	

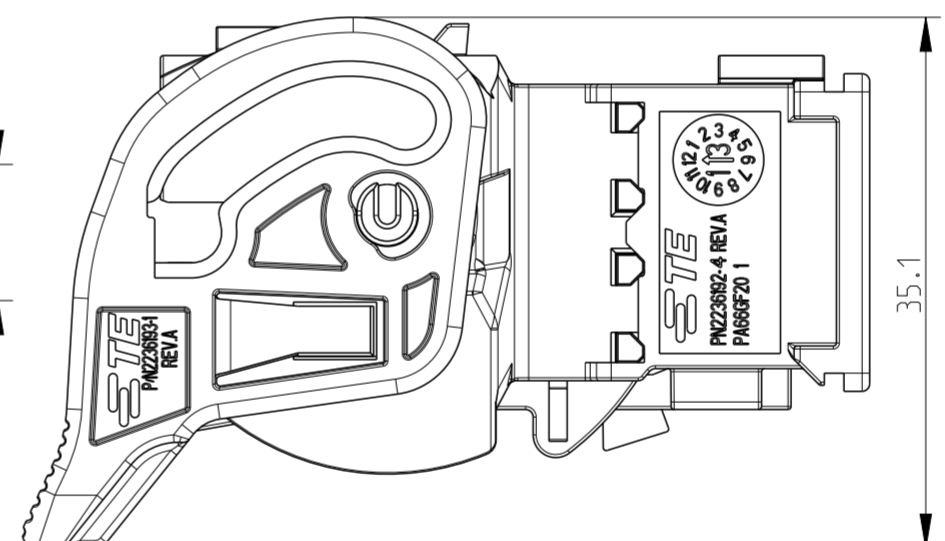
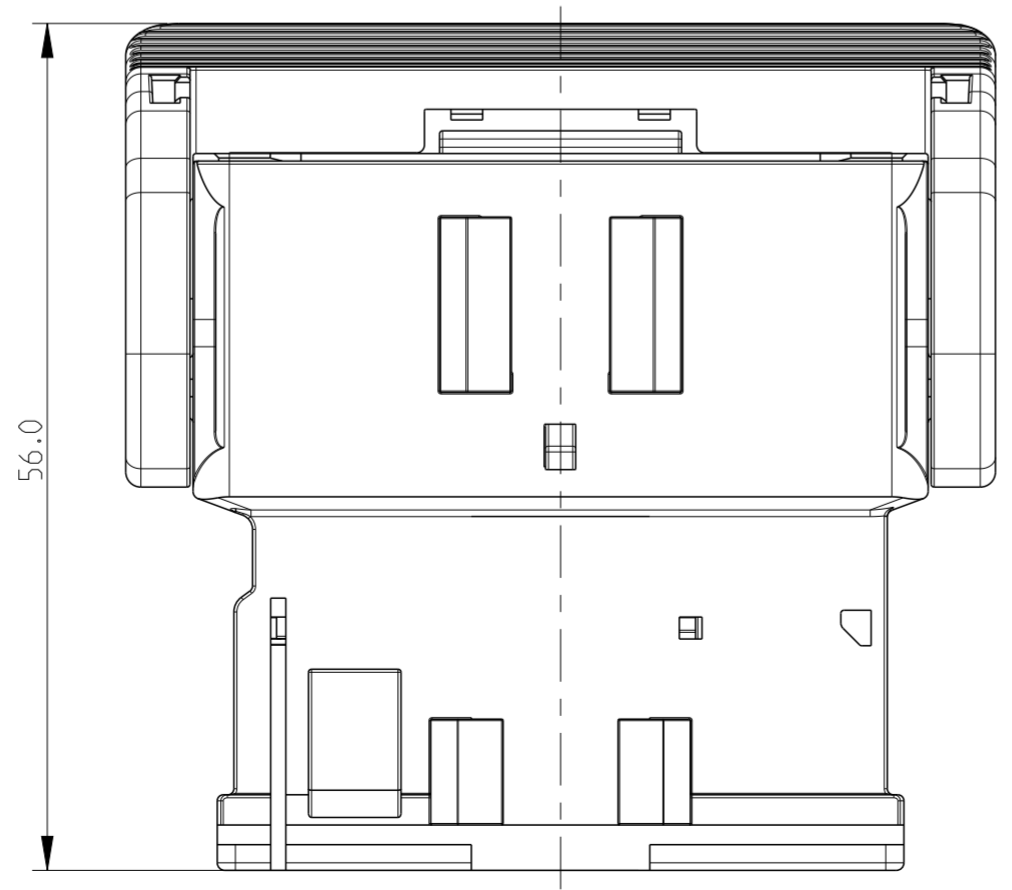
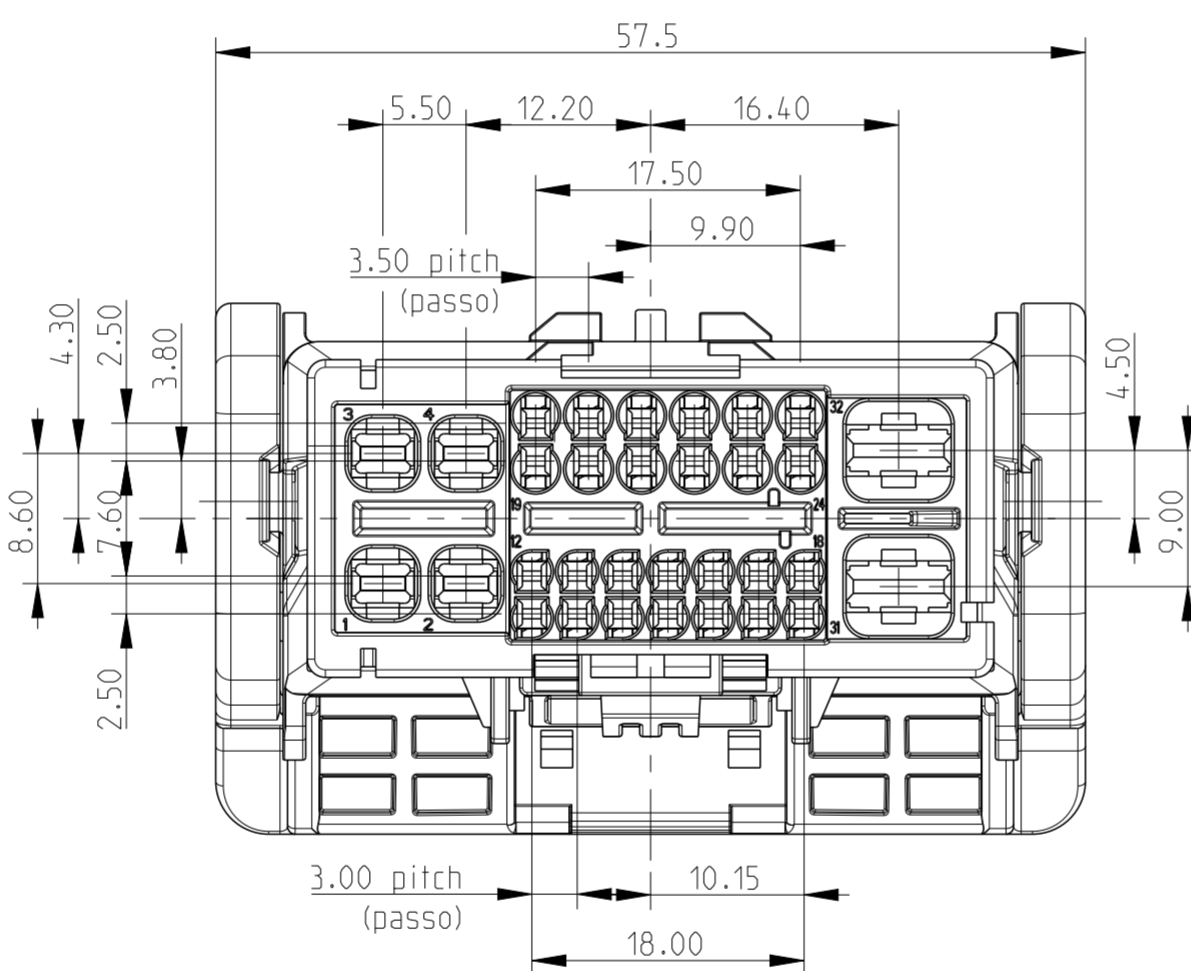
14+12 CAVITIES SUITABLE FOR TAB 1.2
 (14 x WIRE RANGE MAX 1sqmm (CAV. 5-11, 12-18) +
 12 x WIRE RANGE MAX 1.5sqmm (CAV 19-24, 25-30))

Sn PLTD P/N	WIRE RANGE [mm ²] (RANGO FILO)	REFERENCE DRW. (DISEGNO DI RIF.)
5-1418758-1	0.25-0.35	C-1418754
5-1418760-1	0.5-0.75	
1418762-1	1.0-1.5	

2 CAVITIES SUITABLE FOR TAB 5.8X0.8 (CAV. 31,32)

Sn PLTD P/N	WIRE RANGE [mm ²] (RANGO FILO)	REFERENCE DRW. (DISEGNO DI RIF.)
1-965984-1	0.35-0.5	C-1241895
1-963734-1	0.75-1.0	
1-963735-1	>1.0-2.5	
1-963736-1	>2.5-4.0	
1-968050-1	>4.0-6.0	

QTY	QTY	QTY	QTY	QTY	QTY	DESCRIPTION	MATERIAL	COLOUR	ITEM
1	1	1	-	-	-	CPA	PA66GF	YELLOW	3
1	1	1	1	1	1	LEVER	PA66GF	RED	2
1	-	-	1	-	-	TAB HOUSING CODE C	PA66GF	BROWN	1
-	1	-	-	1	-	TAB HOUSING CODE B		GREY	
-	-	1	-	-	1	TAB HOUSING CODE A		BLACK	



- NOTE:
- 1) MATERIAL: SEE TABLE
 - 2) CODING IS INDICATED IN THE TABLE
 - 3) SUITABLE CONTACTS ARE INDICATED IN THE TABLE
 - 4) COUNTERPART HOUSING P/N 2236047-X
 - 5) SECONDARY LOCKS ARE SOLD SEPARATELY IN KIT P/N 2236048-1

P/N 0-2236046-7 AS SHOWN

THIS DRAWING IS A CONTROLLED DOCUMENT.		DWN S. Di Maggio 02MAY2013	TE Connectivity	
DIMENSIONS: mm		CHK A. Plazio 02MAY2013		
TOLERANCES UNLESS OTHERWISE SPECIFIED:		APVD 02MAY2013	NAME 32 POS HYBRID TAB CONNECTOR	
0 PLC ±1		PRODUCT SPEC 108-20329		
1 PLC ±0.7		APPLICATION SPEC 411-20134		
2 PLC ±0.3		WEIGHT -		
3 PLC ±		SIZE A2		
4 PLC ±		CAGE CODE 00779		
ANGLES FINISH		DRAWING NO C-2236046		
MATERIAL		RESTRICTED TO -		
Customer Drawing		SCALE 2:1 SHEET 1 OF 1 REV A3		