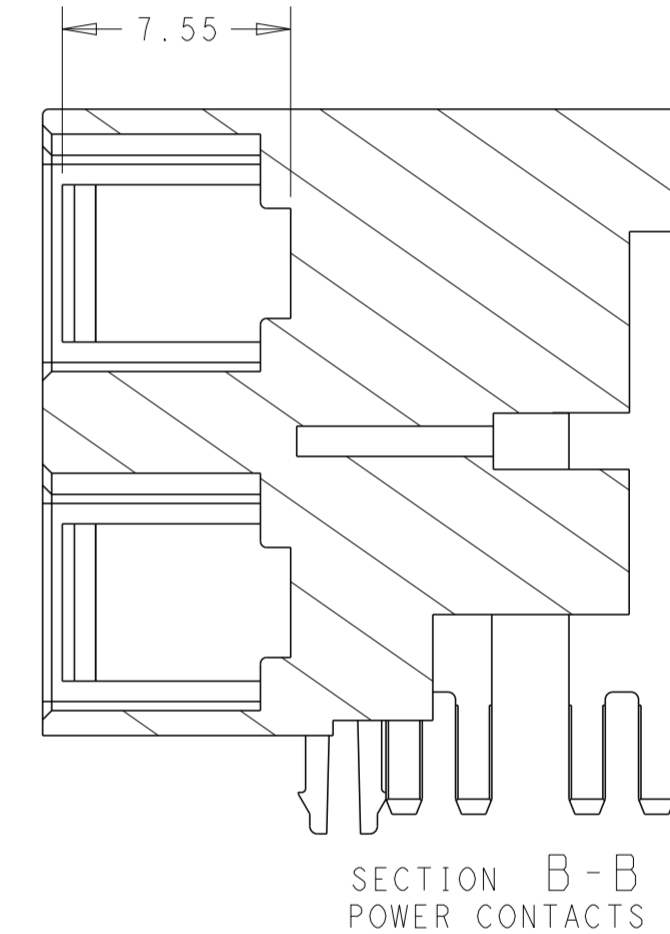
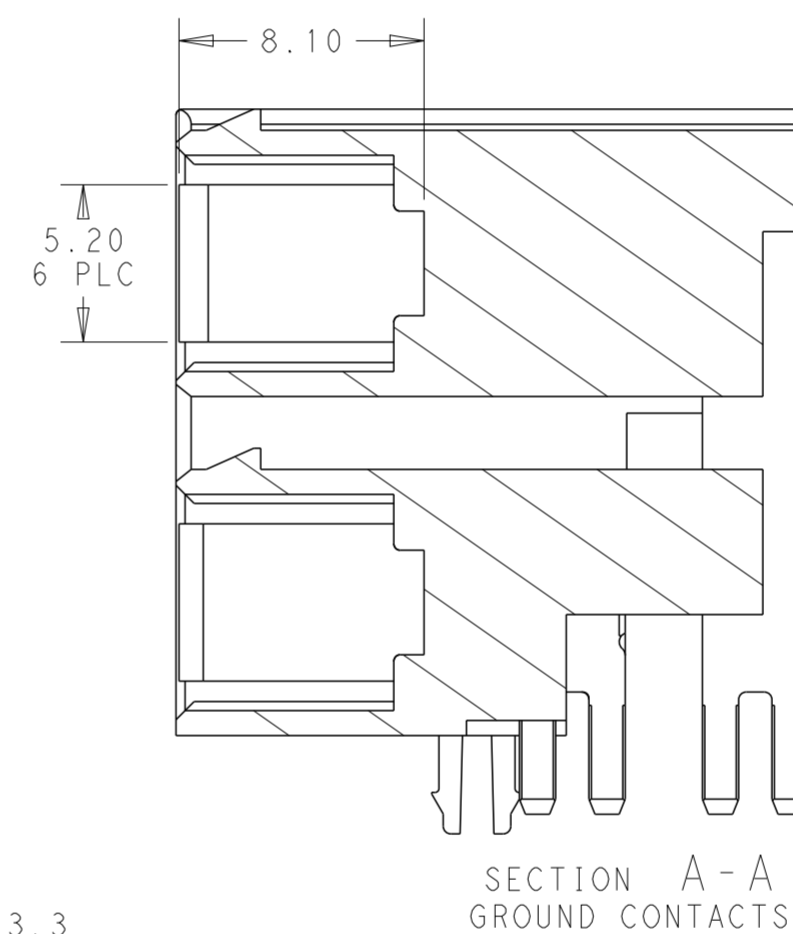
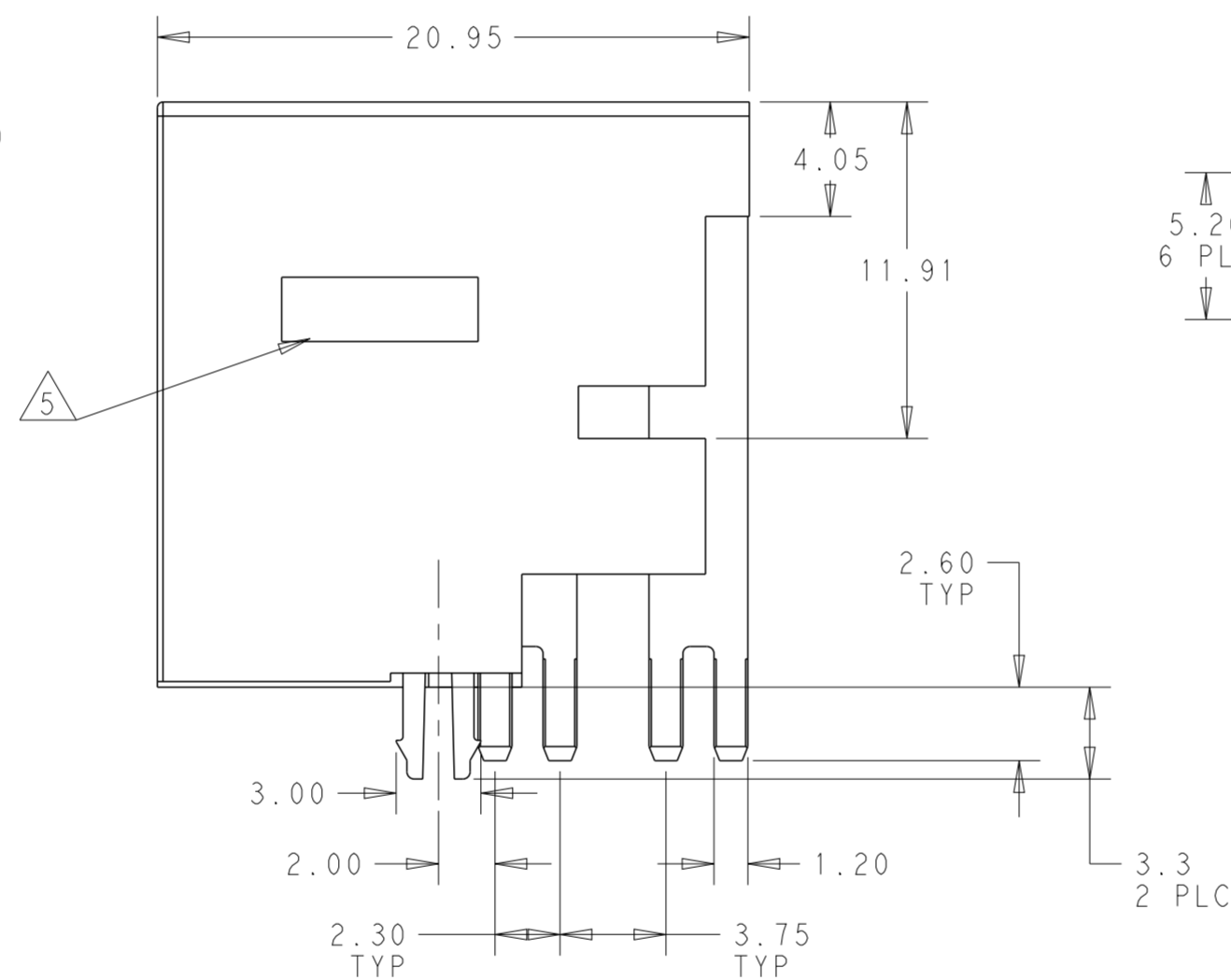
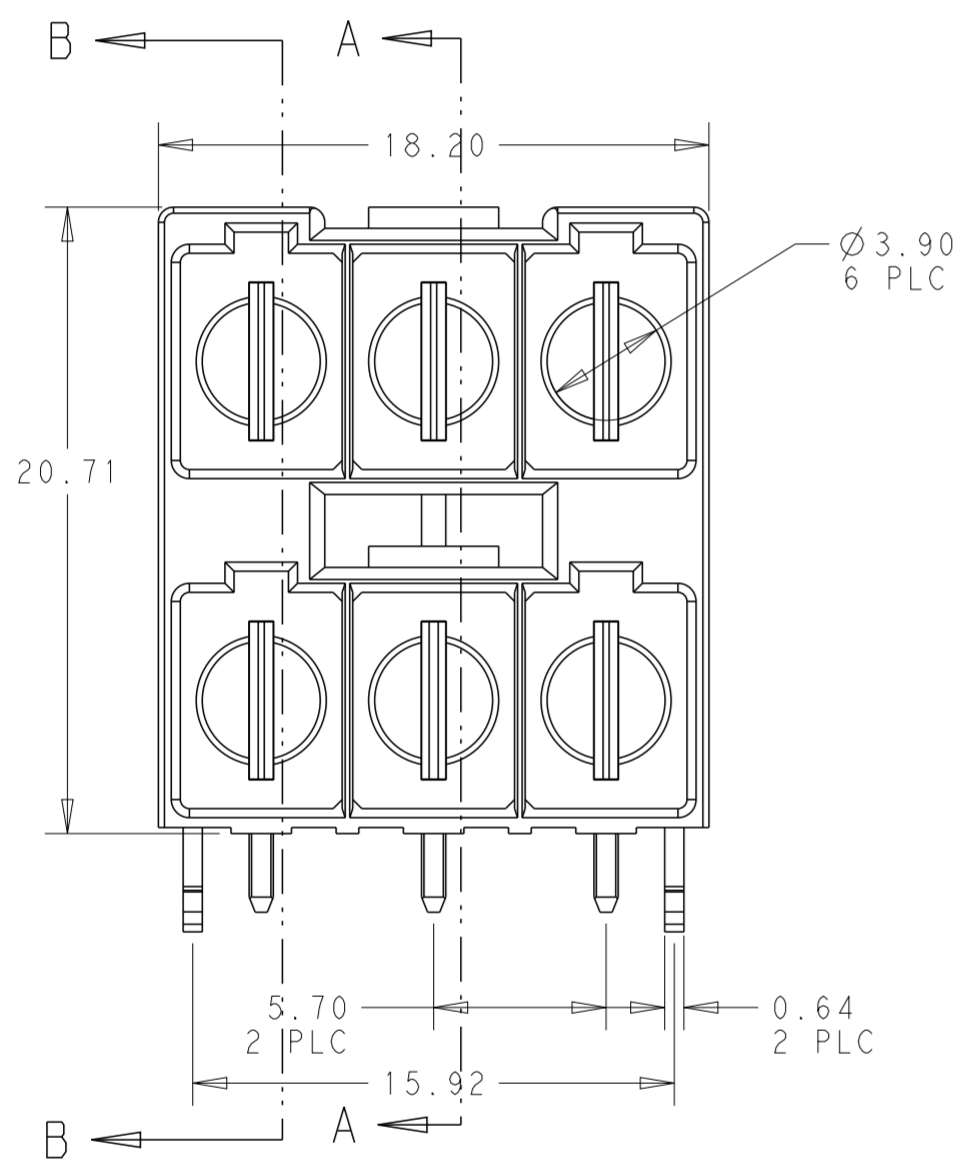
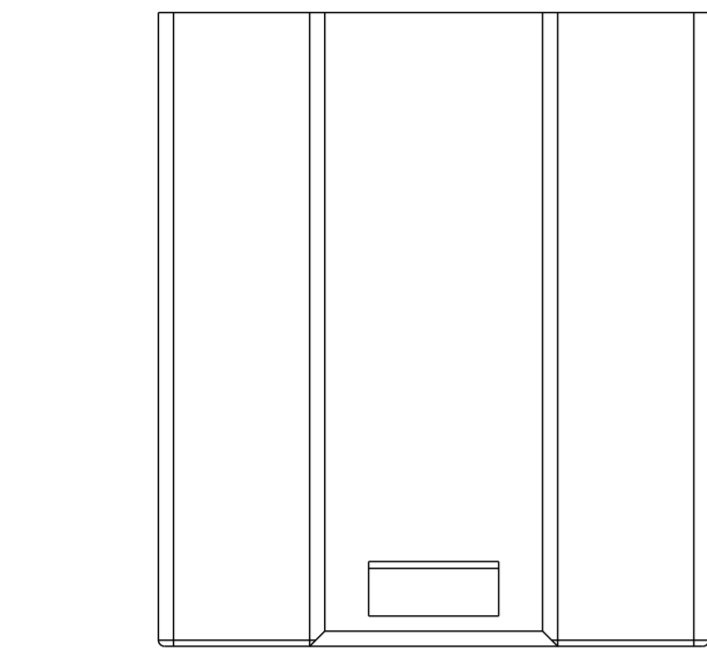


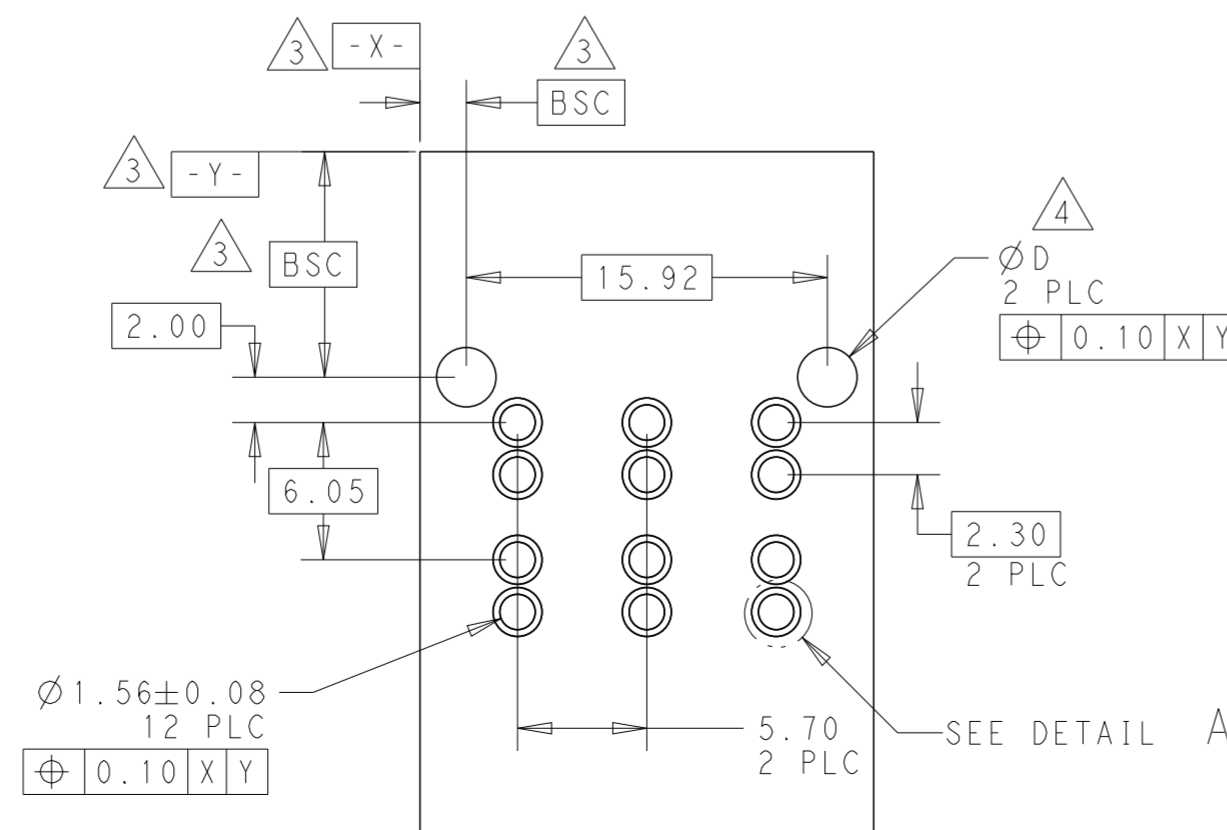
THIS DRAWING IS UNPUBLISHED. RELEASED FOR PUBLICATION 20
 © COPYRIGHT 20 BY - ALL RIGHTS RESERVED.

REVISIONS				
P	LTR	DESCRIPTION	DATE	DWN APVD
B10		PRODUCTION FOR -8	06DEC2023	OL WY

- 1 MATERIAL:
HOUSING: LCP BLACK, UL94V-0; CONTACT AND RETENTION CLIP: COPPER ALLOY
- 2 PLATING:
POWER CONTACT: 3UM SILVER AT CONTACT AND SOLDER AREA OVER NICKEL PLATED;
RETENTION CLIP: TIN PLATED
- 3 DATUM AND BASIC DIMENSIONS ESTABLISHED BY CUSTOMER
- 4 UNPLATED THROUGH HOLE; THE RECOMMENDED HOLE SIZE IS 2.75MM OR 2.65MM.
- 5 "TE", PART NUMBER AND DATECODE TO BE MARKED IN AREA SHOWN
- 6 PLATING: 0.76µM GOLD ON CONTACT AREA AND GOLD FLASH ON OTHER AREA.
RETENTION CLIP: TIN PLATED



DETAIL A
SCALE 10:1
 Ø1.56±0.05
 FINISH HOLE SIZE
 DRILL HOLE SIZE: 1.72+/-0.02
 COPPER PLATE: 0.025 MIN. PER SURFACE
 TIN PLATE: 0.008 MIN. PER SURFACE

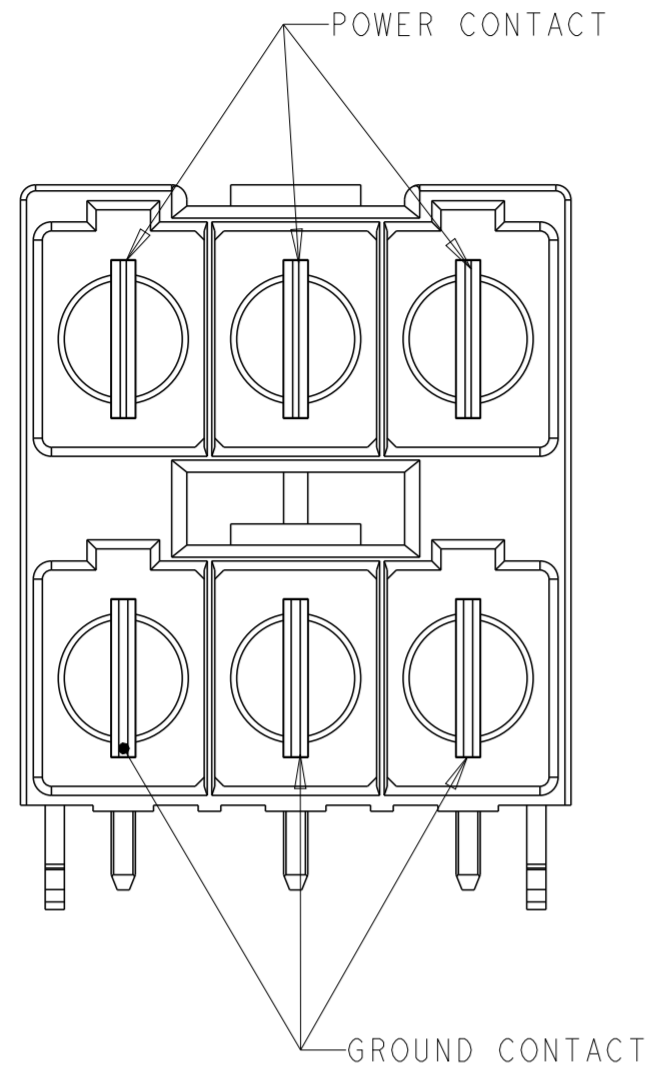


2	2204535-1
PLATING	PART NUMBER

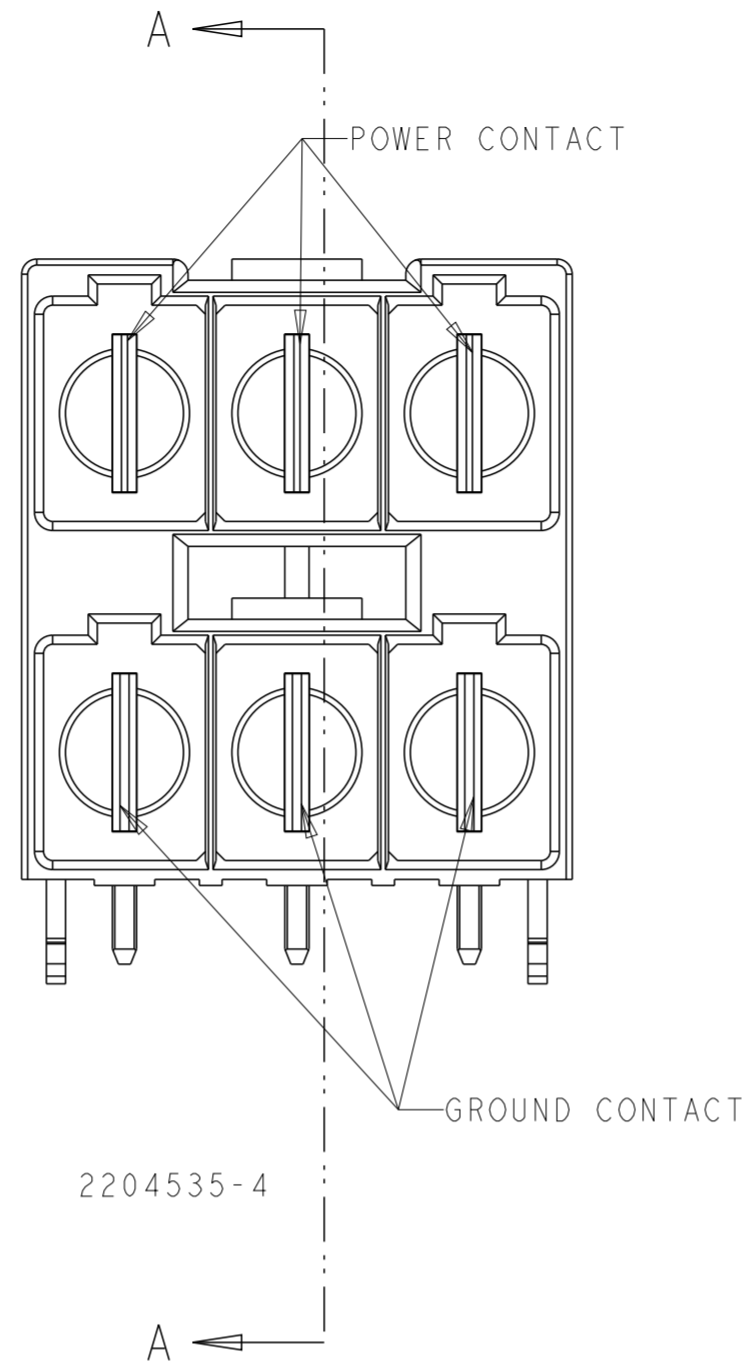
THIS DRAWING IS A CONTROLLED DOCUMENT.		DWN ORANDO LI 03APR2015	TE Connectivity	
DIMENSIONS: mm		CHK ZHAO SUNY 03APR2015		
TOLERANCES UNLESS OTHERWISE SPECIFIED:		APVD SUNY ZHAO 03APR2015	NAME ELCON Mini, 2x3-position stacked header, right-angle	
0 PLC ±		PRODUCT SPEC 108-128027	SIZE A2	
1 PLC ±0.1		APPLICATION SPEC 114-128029	CAGE CODE -	
2 PLC ±0.05		WEIGHT -	DRAWING NO. C-2204535	
3 PLC ±		CUSTOMER DRAWING	RESTRICTED TO -	
4 PLC ±		SCALE 4:1	SHEET 1 OF 4	
ANGLES ±			REV B10	
FINISH -				

THIS DRAWING IS UNPUBLISHED. RELEASED FOR PUBLICATION 20
 © COPYRIGHT 20 BY - ALL RIGHTS RESERVED.

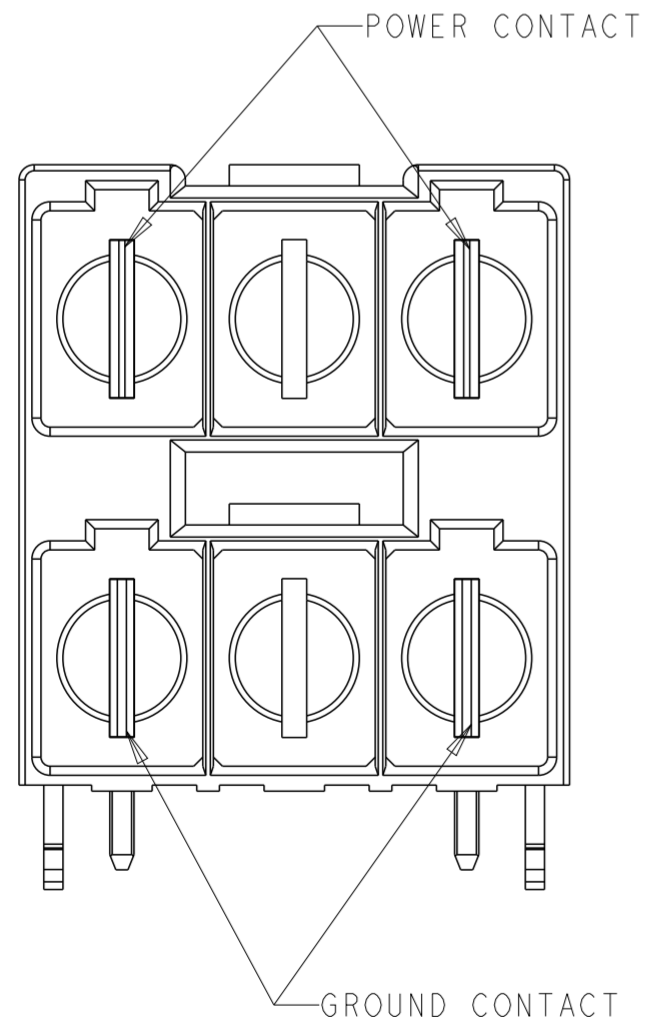
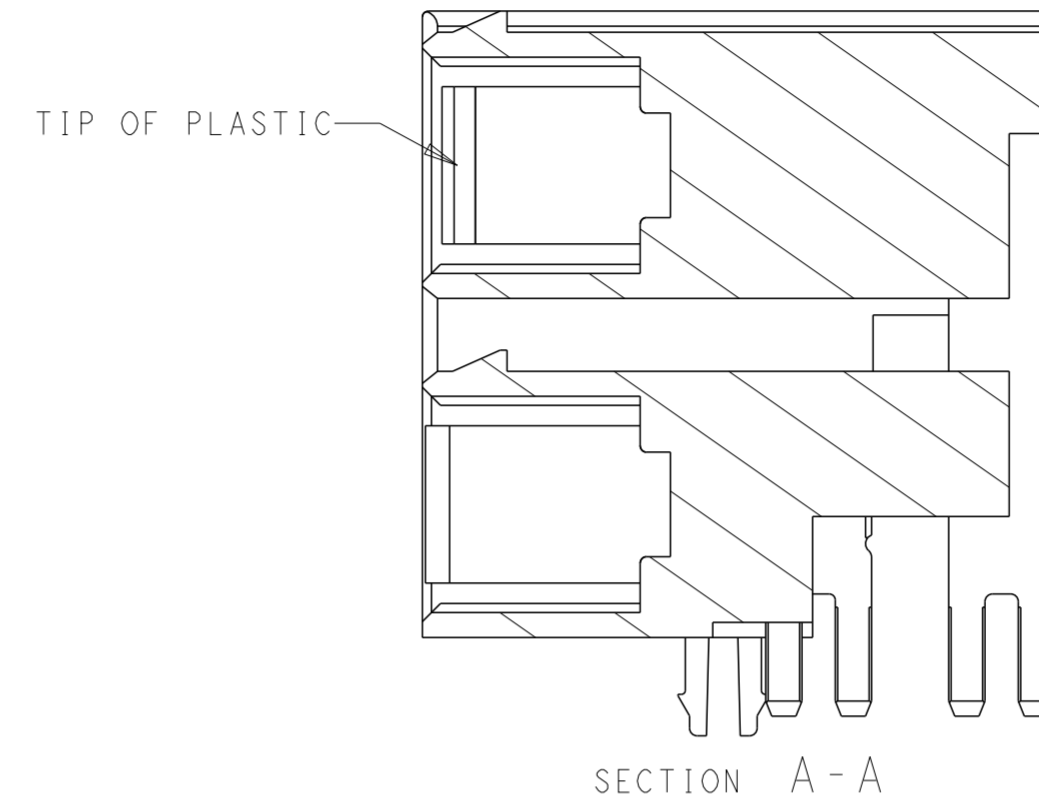
REVISIONS				
P	LTR	DESCRIPTION	DATE	APVD
-	-	SEE SHEET 1	-	-



2204535-3



2204535-4



2204535-5

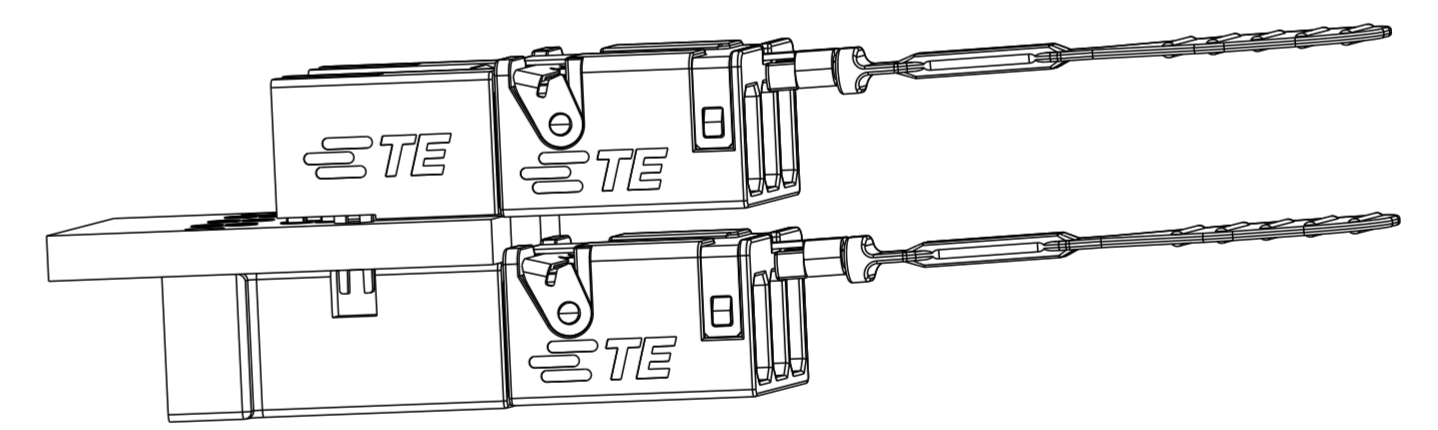
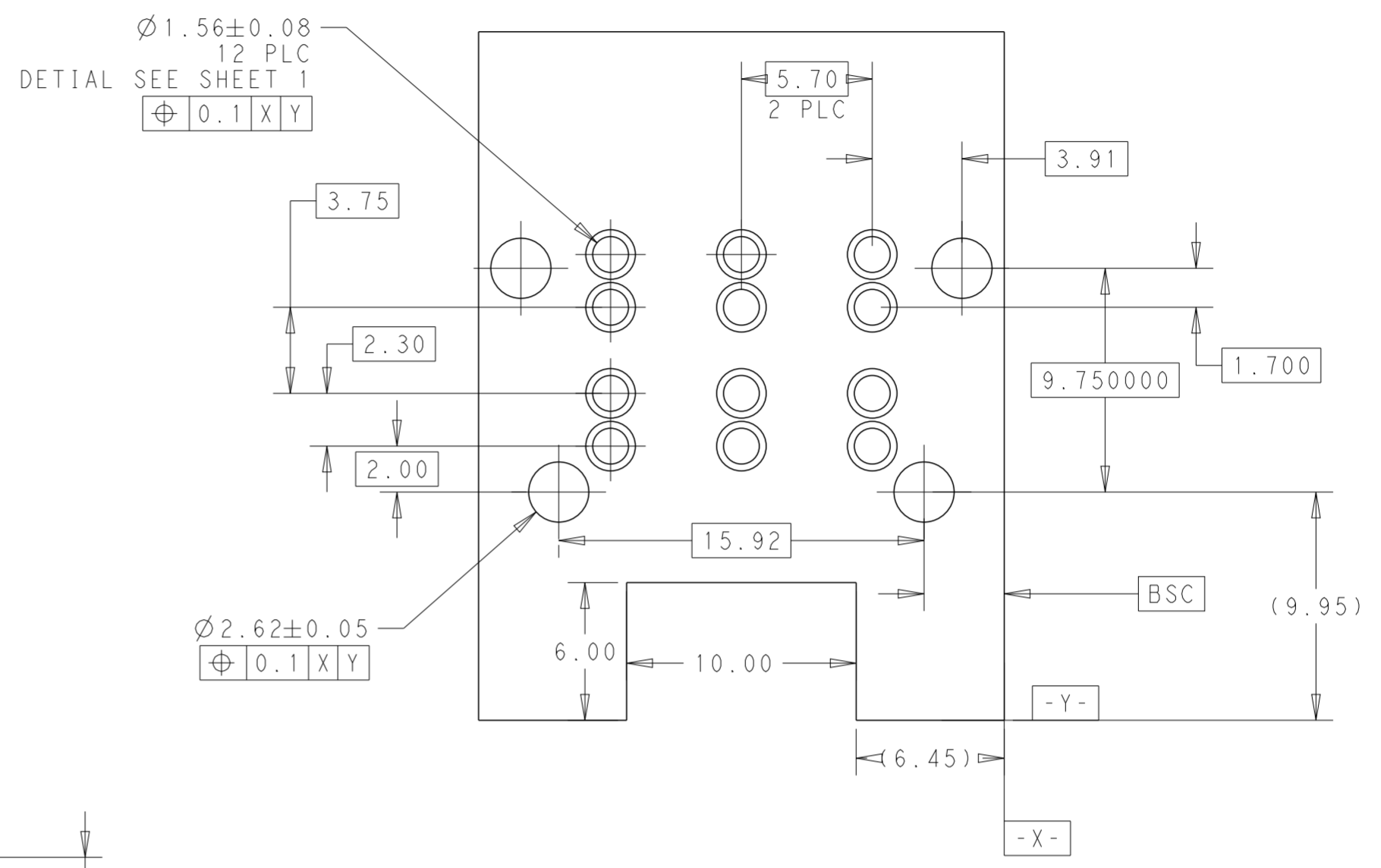
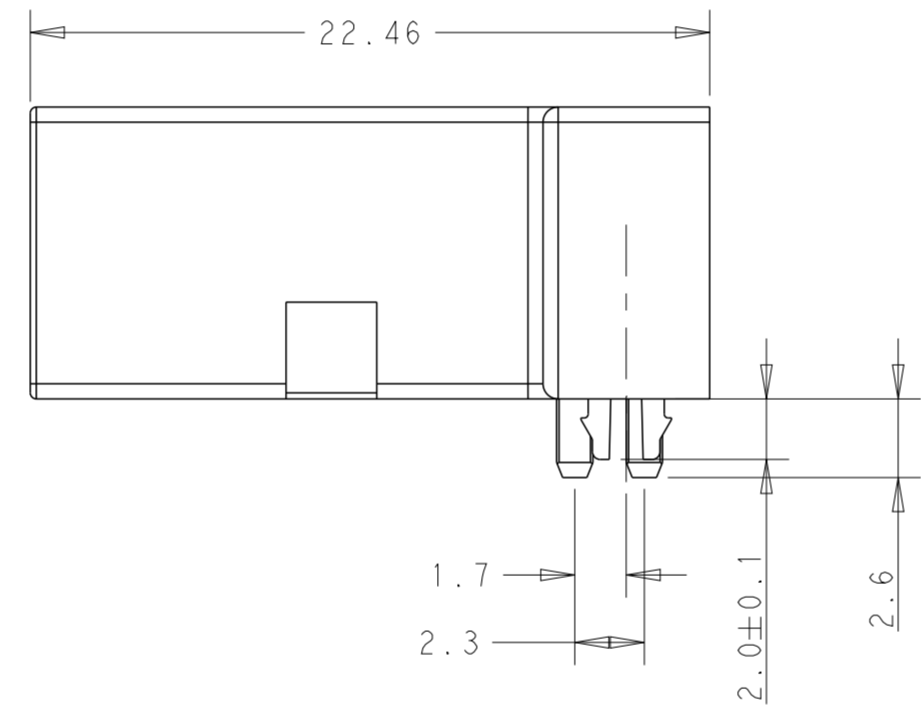
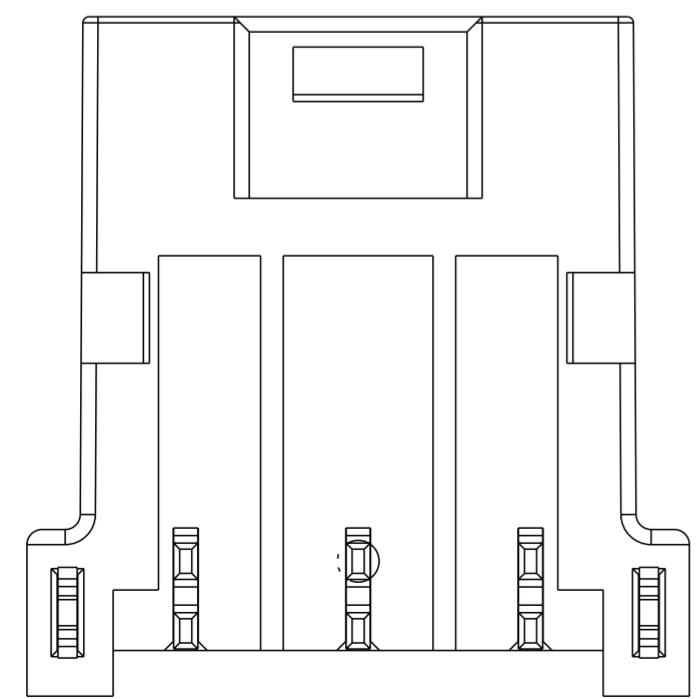
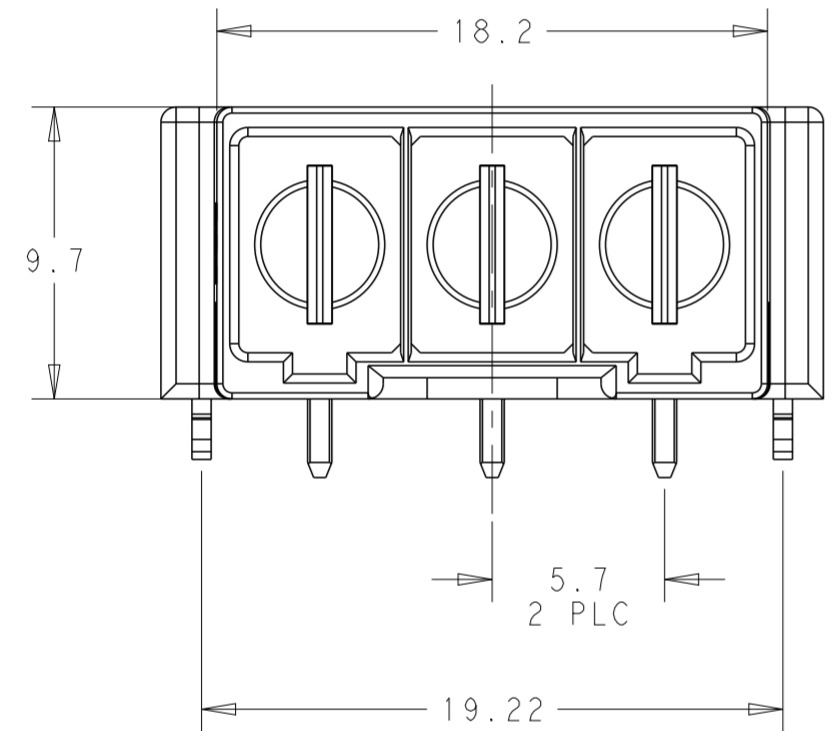
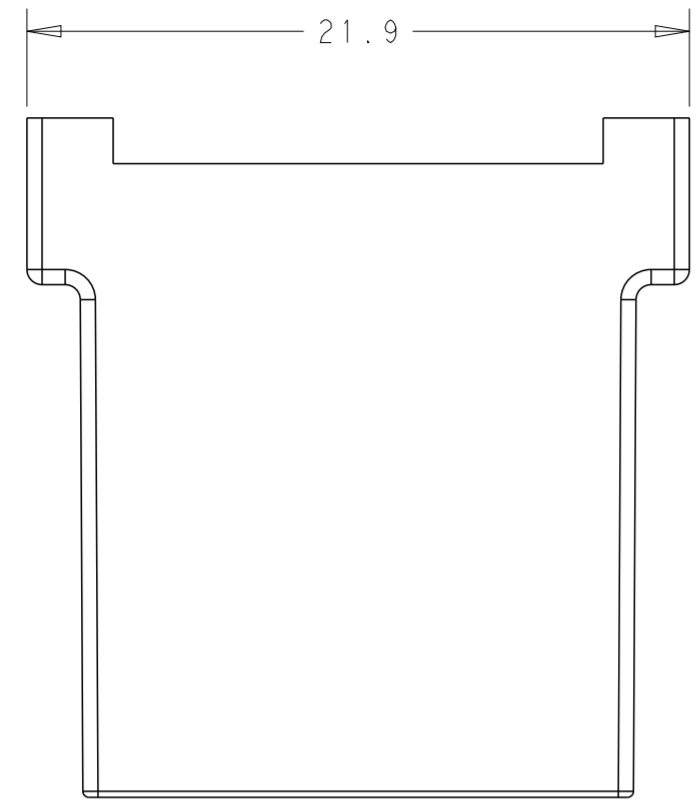
OTHER DIMENSIONS, PLEASE SEE SHEET 1

GROUND	PROBE PROOF	6	2204535-5
GROUND	PROBE PROOF	6	2204535-4
GROUND	PROBE PROOF	2	2204535-3
LOWER ROW	UPPER ROW	PLATING	PART NUMBER

THIS DRAWING IS A CONTROLLED DOCUMENT.		DWN ORANDO LI 03APR2015	STE TE Connectivity	
DIMENSIONS: mm		CHK ZHAO SUNY 03APR2015		
TOLERANCES UNLESS OTHERWISE SPECIFIED:		APVD SUNY ZHAO 03APR2015	NAME ELCON Mini, 2x3-position stacked header, right-angle	
0 PLC ±		PRODUCT SPEC 108-128027	SIZE A2	
1 PLC ±0.1		APPLICATION SPEC 114-128029	CAGE CODE -	DRAWING NO. C-2204535
2 PLC ±0.05		WEIGHT -	RESTRICTED TO -	SCALE 4:1
3 PLC ±		CUSTOMER DRAWING	SHEET 2 OF 4	REV B10
4 PLC ±				
ANGLES ±				
FINISH -				
MATERIAL TBD				

THIS DRAWING IS UNPUBLISHED. RELEASED FOR PUBLICATION 20
 © COPYRIGHT 20 BY - ALL RIGHTS RESERVED.

REVISIONS				
P	LTR	DESCRIPTION	DATE	APVD
-	-	SEE SHEET 1	-	-



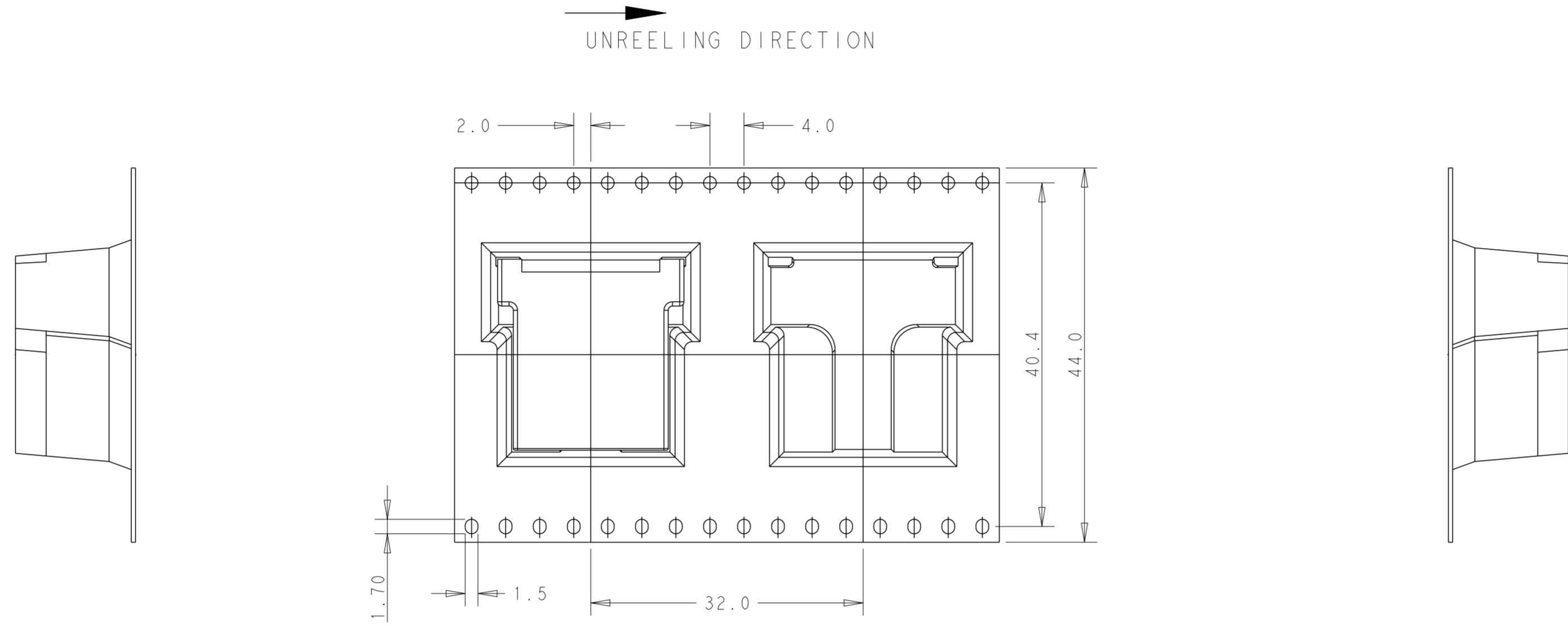
2204535-8 IS SHOWN

SOLDER	PROBE PROOF	GND	2	2204535-8
TAIL TYPE	SIDE PINS	MIDDLE PIN	PLATING	PART NUMBER


THIS DRAWING IS A CONTROLLED DOCUMENT.		DWN ORANDO LI 03APR2015	TE Connectivity	
DIMENSIONS: mm		CHK ZHAO SUNY 03APR2015		
TOLERANCES UNLESS OTHERWISE SPECIFIED:		APVD SUNY ZHAO 03APR2015	NAME ELCON Mini, 2x3-position stacked header, right-angle	
0 PLC ±	1 PLC ±0.1	PRODUCT SPEC 108-128027	SIZE A2	CAGE CODE -
2 PLC ±0.05	3 PLC ±	APPLICATION SPEC 114-128029	DRAWING NO C-2204535	RESTRICTED TO -
4 PLC ±	ANGLES ±	WEIGHT -	SCALE 4:1	SHEET 3 OF 4
MATERIAL TBD	FINISH -	CUSTOMER DRAWING	REV B10	

THIS DRAWING IS UNPUBLISHED. RELEASED FOR PUBLICATION 20
 © COPYRIGHT 20 BY - ALL RIGHTS RESERVED.

REVISIONS				
P	LTR	DESCRIPTION	DATE	APVD
-	-	SEE SHEET 1	-	-



PACKAGE FOR 2204538-8

THIS DRAWING IS A CONTROLLED DOCUMENT.		DWN 03APR2015 ORANDO LI	 TE Connectivity			
DIMENSIONS: mm		CHK 03APR2015 ZHAO SUNY				
TOLERANCES UNLESS OTHERWISE SPECIFIED:		APVD 03APR2015 SUNY ZHAO	NAME ELCON Mini, 2x3-position stacked header, right-angle			
0 PLC ±- 1 PLC ±0.1 2 PLC ±0.05 3 PLC ±- 4 PLC ±- ANGLES ±- FINISH -		PRODUCT SPEC 108-128027	SIZE A2	CAGE CODE -	DRAWING NO C-2204535	RESTRICTED TO -
MATERIAL TBD		APPLICATION SPEC 114-128029	SCALE 4:1		SHEET 4 OF 4	REV B10
CUSTOMER DRAWING		WEIGHT -				