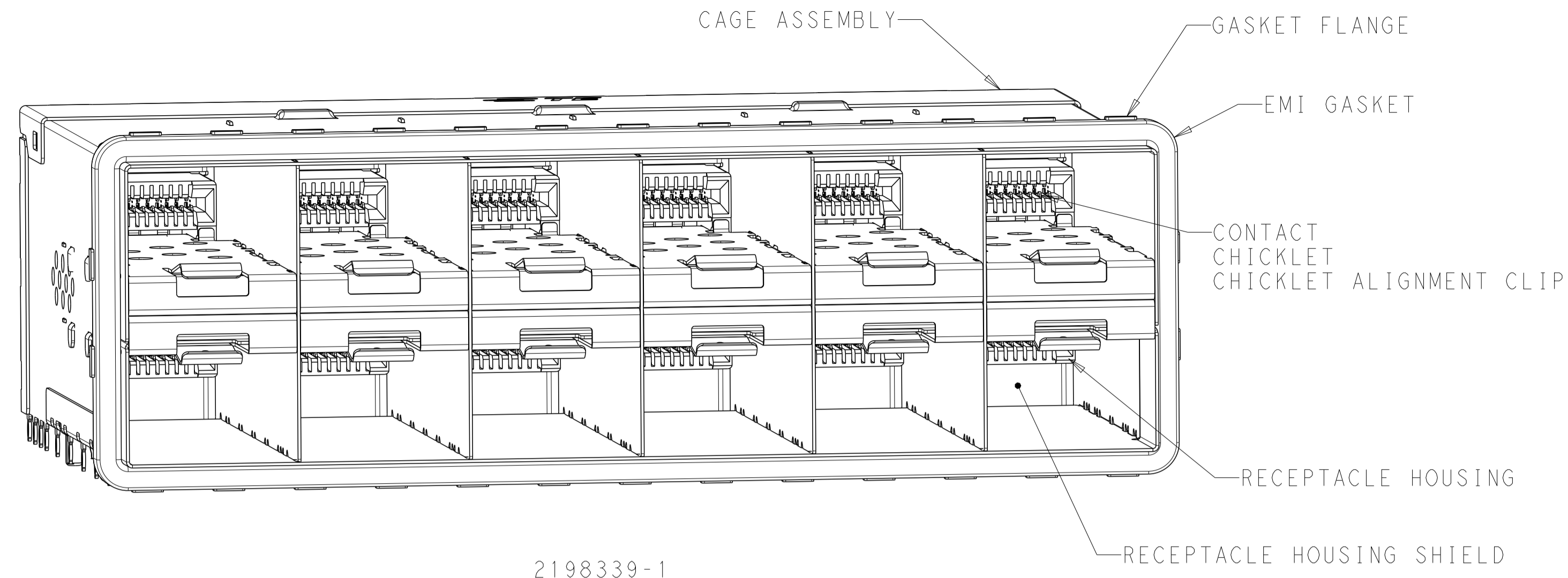


| LOC | DIST | REVISIONS                 |           |     |      |
|-----|------|---------------------------|-----------|-----|------|
| P   | LTN  | DESCRIPTION               | DATE      | OWN | APVD |
| B1  |      | REVISED PER ECO-16-004263 | 10AUG2015 | PP  | SH   |
| B1  |      | REVISED PER ECO-16-004263 | 17MAR2016 | KO  | SH   |
| B2  |      | REVISED PER ECO-16-013988 | 05SEP2016 | PP  | SH   |
| C   |      | REVISED PER ECN-22-166164 | 26JUL2022 | IT  | SZ   |



2198339-1  
 SCALE 3:1

- MATERIALS:  
 CAGE ASSEMBLY - NICKEL-SILVER ALLOY PER ASTM B 122  
 CONNECTOR HOUSING - LCP, BLACK, UL 94V-0 RATED  
 CONNECTOR HOUSING SHIELD - COPPER ALLOY  
 CHICKLET - LCP, BLACK, UL 94V-0 RATED  
 CHICKLET ALIGNMENT CLIP - PBT  
 CONTACT - COPPER ALLOY  
 EMI GASKET - ELASTOMERIC  
 GASKET FLANGE - STAINLESS STEEL  
 EMI SPRINGS - PHOSPHOR BRONZE PER ASTM B 103,  
 0.8µm MIN TIN PER ASTM B 545  
 LIGHT PIPE - POLYCARBONATE  
 LIGHT PIPE HOUSING - ZINC ALLOY

- CONTACT FINISH:  
 CONFORMS TO THE REQUIREMENTS OF PRODUCT SPECIFICATION 108-2481, BASED ON EIA/ECA-364-1000.01A, (CONTROLLED ENVIRONMENT APPLICATIONS) ON MATING INTERFACE, TIN ON NEEDLE EYE

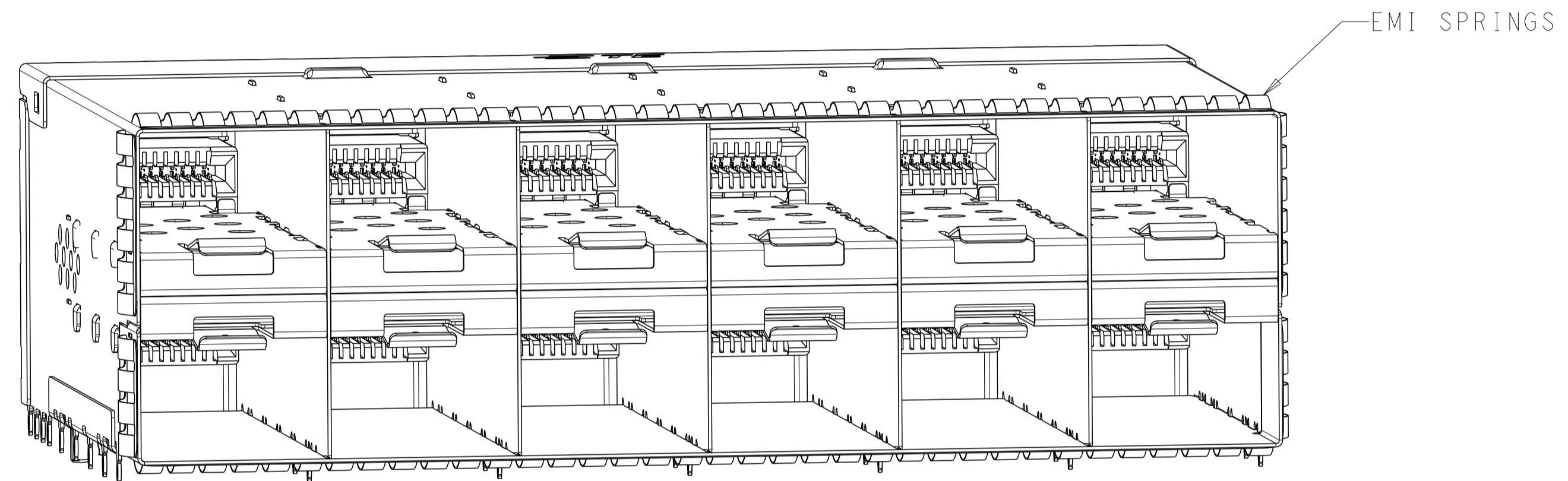
3. PCB MINIMUM THICKNESS = 1.5mm

⚠ FOR HOLE SIZE AND PLATINGS, SEE APPLICATION SPECIFICATION 114-13319

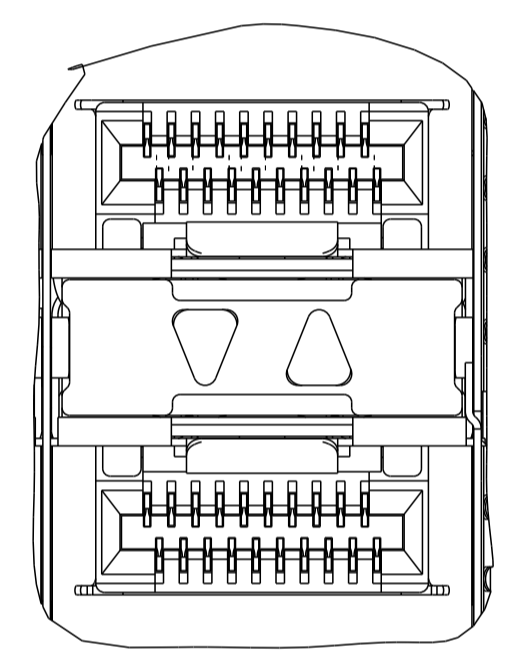
⚠ LIGHT PIPE PAD LAYOUT IS FOR 0805 LOW PROFILE LED PACKAGE WITH A HEIGHT OF 0.8mm

⚠ DIMENSIONS APPLY FOR EMI SPRINGS ONLY

⚠ THE ENTIRE AREA OF THE CONNECTOR FOOTPRINT, INDICATED BY THE DASHED LINE, TO BE CONSIDERED THE KEEPOUT AREA FOR COMPONENTS AND SIGNAL TRACES, TOP SIDE ONLY, TOP SIDE TRACES ALLOWED WITHIN CONNECTOR HOLE PATTERN

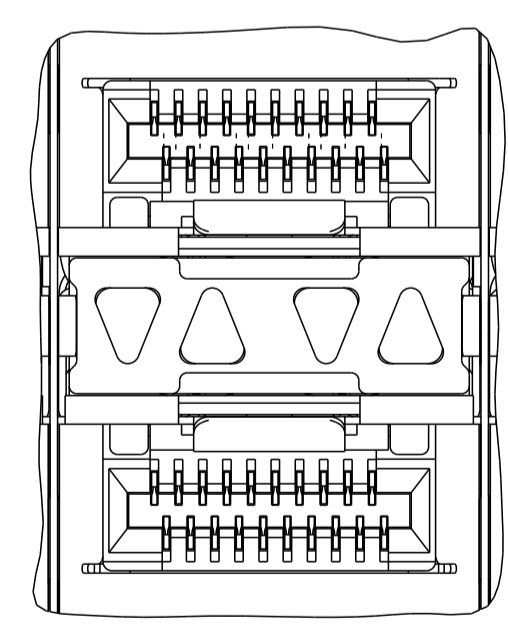


2198339-5  
 SCALE 3:1

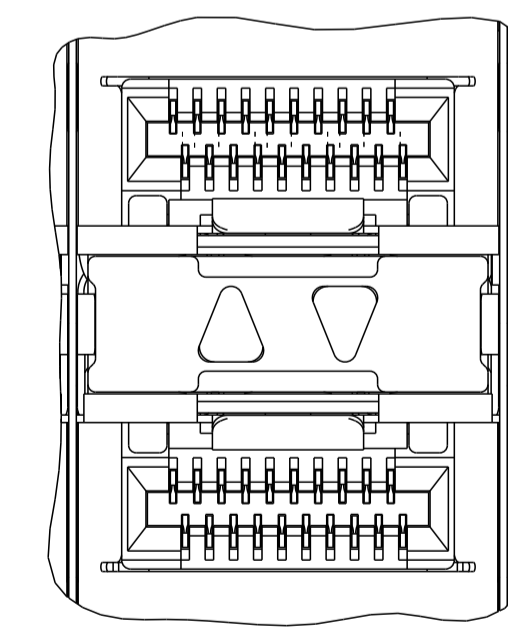


REVERSED INNER LIGHT PIPES  
 2-2198339-1  
 SCALE 4:1

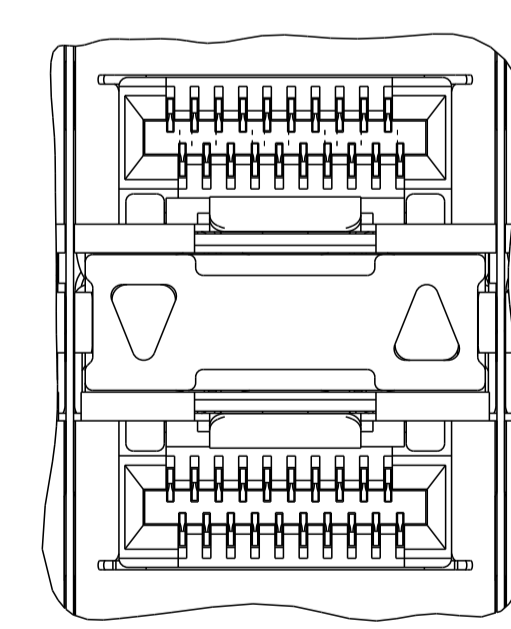
|       |                                 |                                 |             |
|-------|---------------------------------|---------------------------------|-------------|
| 88    | EMI SPRING AIRFLOW ENHANCE TYPE | NONE                            | 3-2198339-1 |
| 90.75 | EMI GASKET AIRFLOW ENHANCE TYPE | NONE                            | 3-2198339-0 |
| 88    | EMI SPRINGS                     | REVERSED INNER                  | 2-2198339-1 |
|       |                                 | REVERSED OUTER                  | 2-2198339-0 |
|       |                                 | CENTER/REVERSED OUTER           | 1-2198339-9 |
| 90.75 | EMI GASKET                      | REVERSED OUTER                  | 1-2198339-8 |
|       |                                 | CENTER/REVERSED OUTER           | 1-2198339-7 |
| 88    | NICKEL PLATED ONLY EMI SPRING   | 2 OUTER SLOTS<br>INNER REVERSED | 1-2198339-4 |
| 88    | EMI SPRINGS                     | OUTER                           | 2198339-8   |
|       |                                 | INNER                           | 2198339-7   |
|       |                                 | INNER/OUTER                     | 2198339-6   |
|       |                                 | NONE                            | 2198339-5   |
| 90.75 | EMI GASKET                      | OUTER                           | 2198339-4   |
|       |                                 | INNER                           | 2198339-3   |
|       |                                 | INNER/OUTER                     | 2198339-2   |
|       |                                 | NONE                            | 2198339-1   |
| (E)   | CAGE TYPE                       | LIGHT PIPE CONFIGURATION        | PART NUMBER |



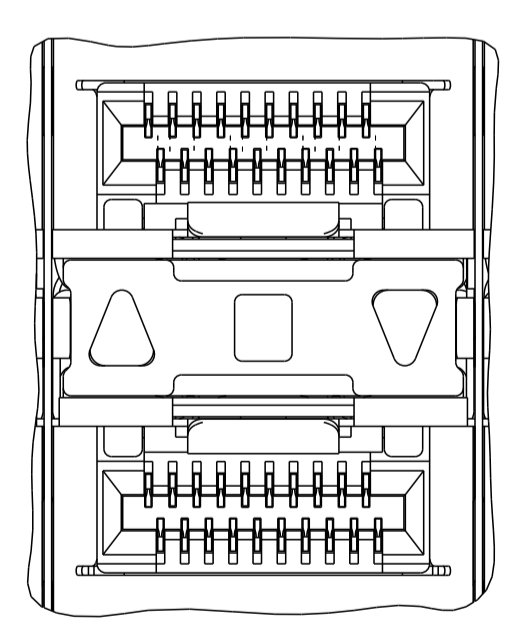
INNER/OUTER LIGHT PIPES  
 2198339-2, 2198339-6  
 SCALE 4:1



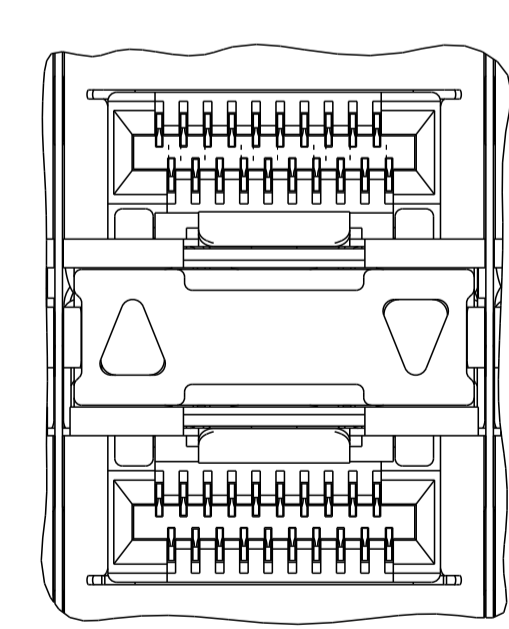
INNER LIGHT PIPES  
 2198339-3, 2198339-7  
 SCALE 4:1



OUTER LIGHT PIPES  
 2198339-4, 2198339-8  
 SCALE 4:1



CENTER/REVERSED OUTER  
 1-2198339-7, 1-2198339-9  
 SCALE 4:1



REVERSED OUTER  
 1-2198339-8, 2-2198339-0  
 SCALE 4:1

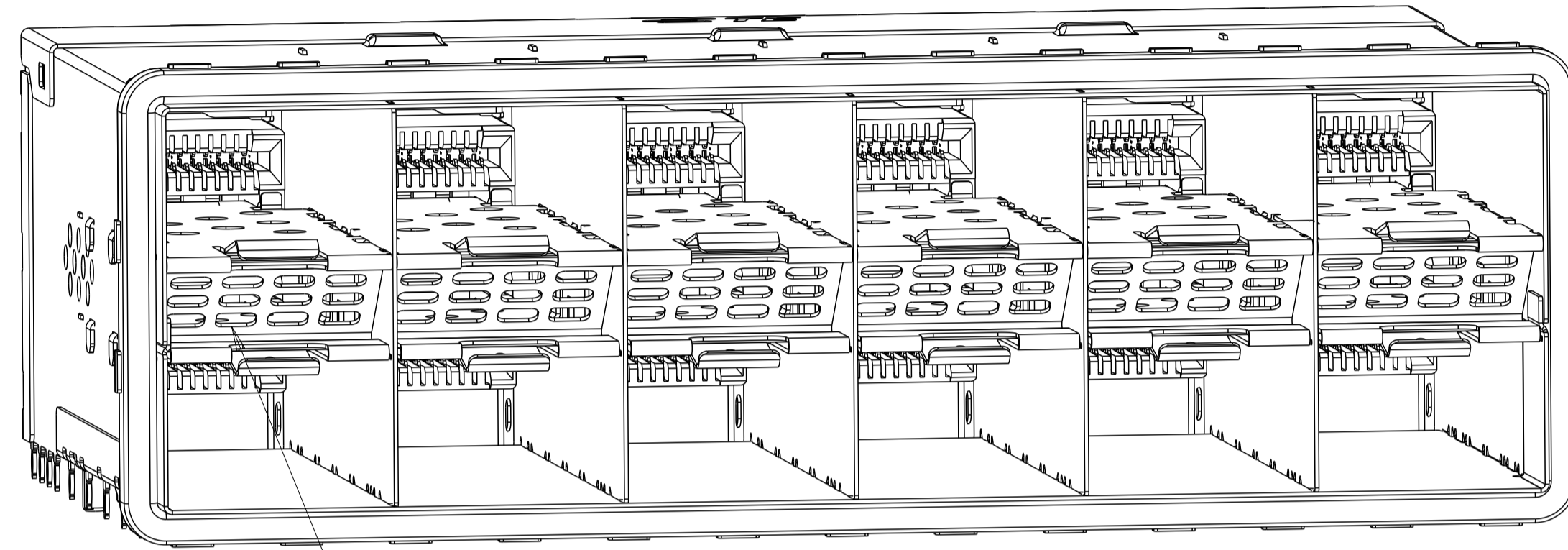
THIS DRAWING IS A CONTROLLED DOCUMENT.

|                       |   |  |   |
|-----------------------|---|--|---|
| DIMENSIONS:<br>mm<br> | TOLERANCES UNLESS OTHERWISE SPECIFIED:<br>0 PLC ±<br>1 PLC ±0.20<br>2 PLC ±0.15<br>3 PLC ±0.10<br>4 PLC ±<br>ANGLES ±°<br>FINISH ±* | DWG: M.E. CONNER 07DEC2011<br>CHK: M.D. MORRISON 13DEC2011<br>APVD: M.D. MORRISON 13DEC2011<br>NAME: M.D. MORRISON<br>PRODUCT SPEC: 108-2481<br>APPLICATION SPEC: 114-13319<br>WEIGHT: -<br>CUSTOMER DRAWING | RECEPTACLE ASSEMBLY ,2X6 STACKED, 2SFP+<br>SIZE: A1<br>CAGE CODE: 00779<br>DRAWING NO: 2198339<br>SCALE: 4:1<br>SHEET: 1 OF 6<br>REV: C |
|-----------------------|---|--|---|

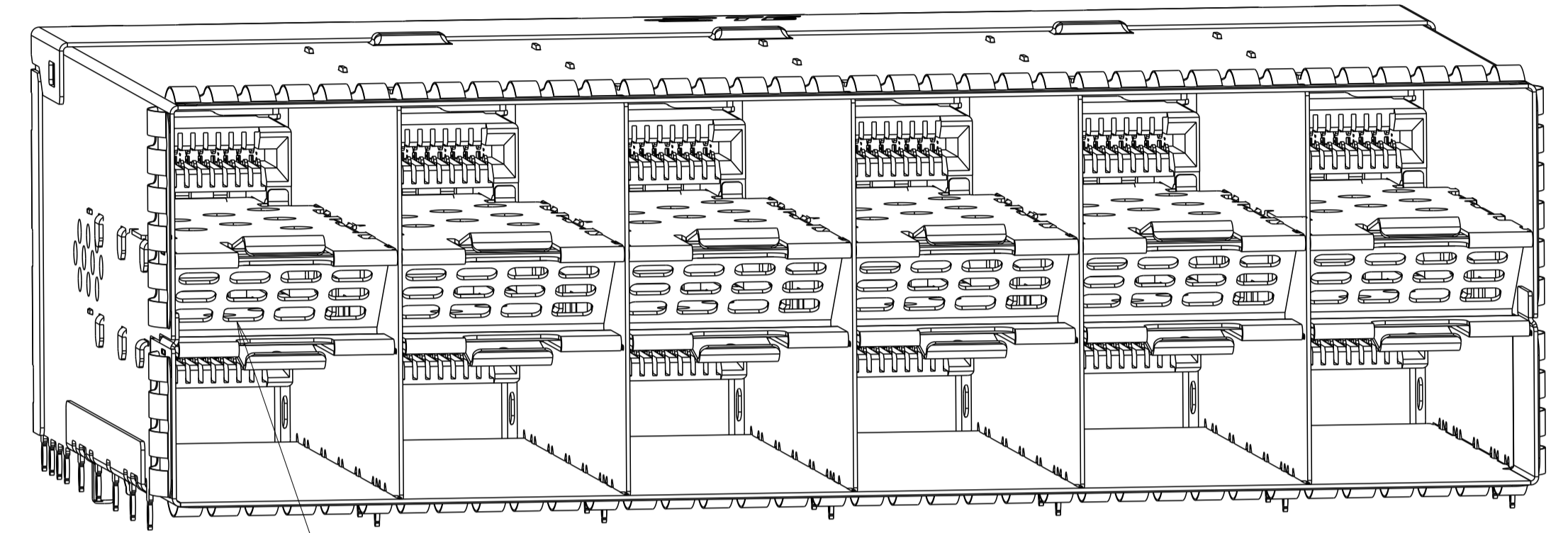
STE TE Connectivity

| LOC |     | DIST        |      | REVISIONS |      |  |  |
|-----|-----|-------------|------|-----------|------|--|--|
| P   | LTN | DESCRIPTION | DATE | DMN       | APVD |  |  |
| -   |     | SEE SHEET 1 |      |           |      |  |  |
|     |     |             |      |           |      |  |  |
|     |     |             |      |           |      |  |  |

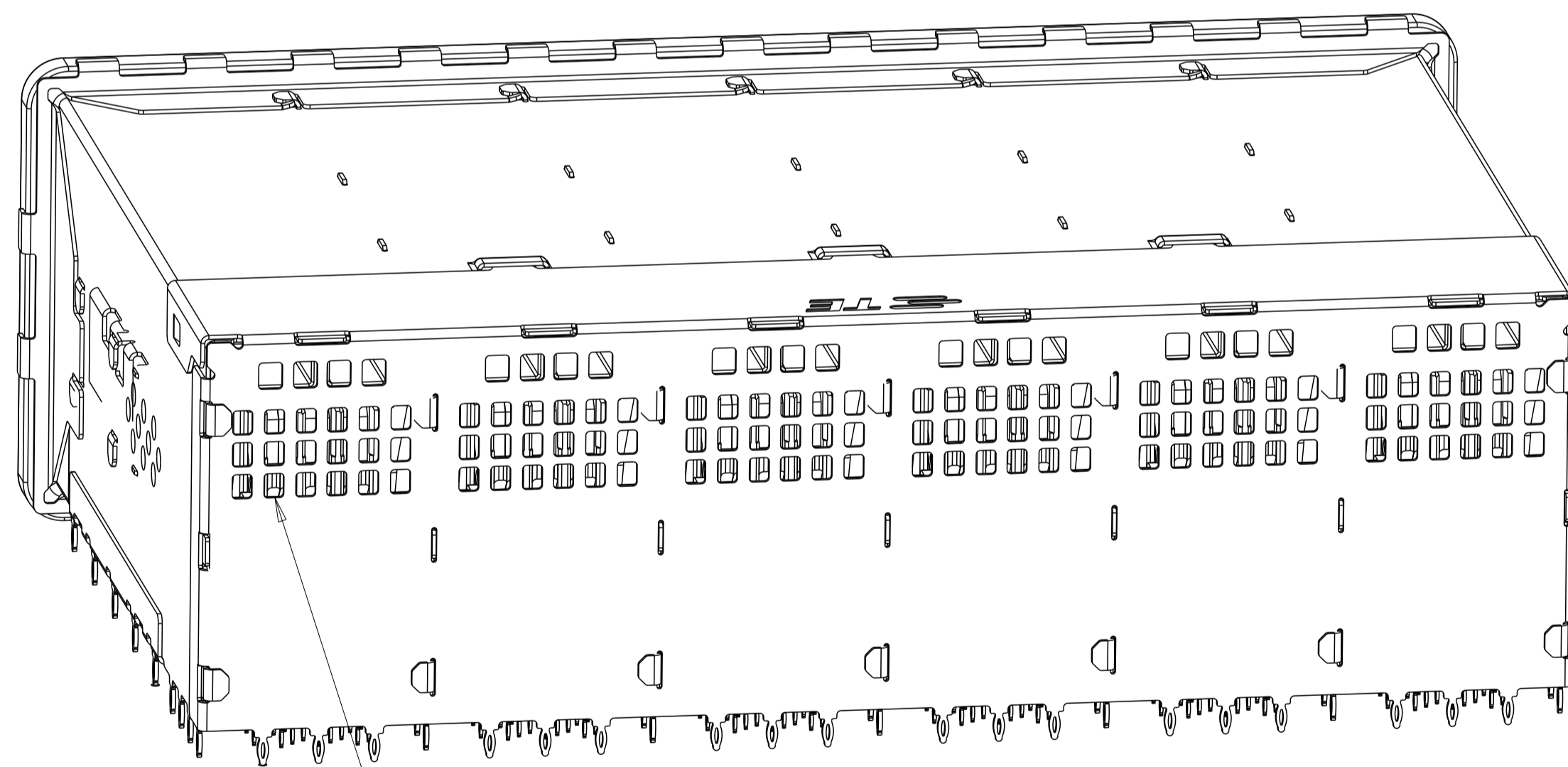
# AIRFOLW ENHANCE TYPE



AIR VENTS

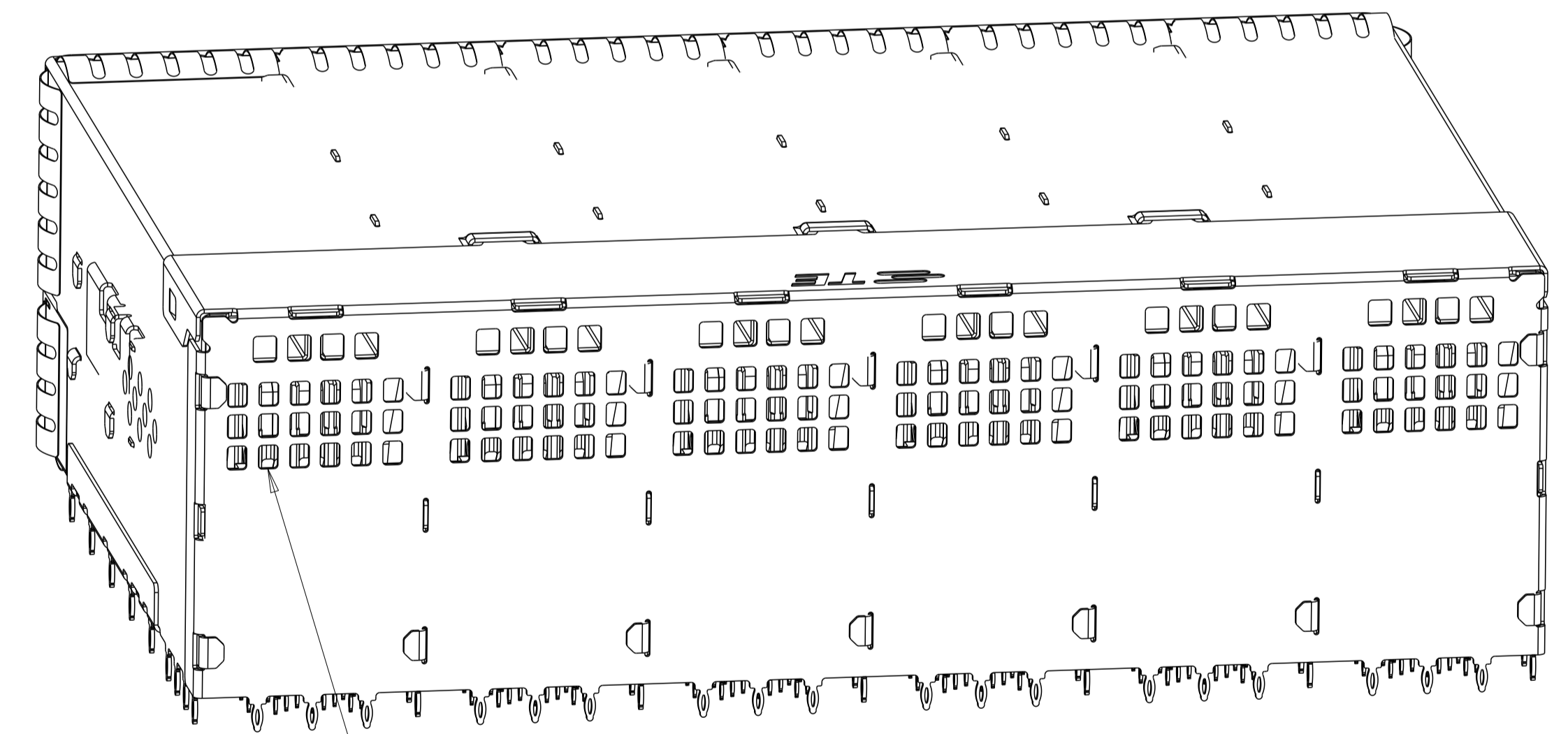


AIR VENTS



AIR VENTS

3-2198339-0  
EMI GASKET TYPE

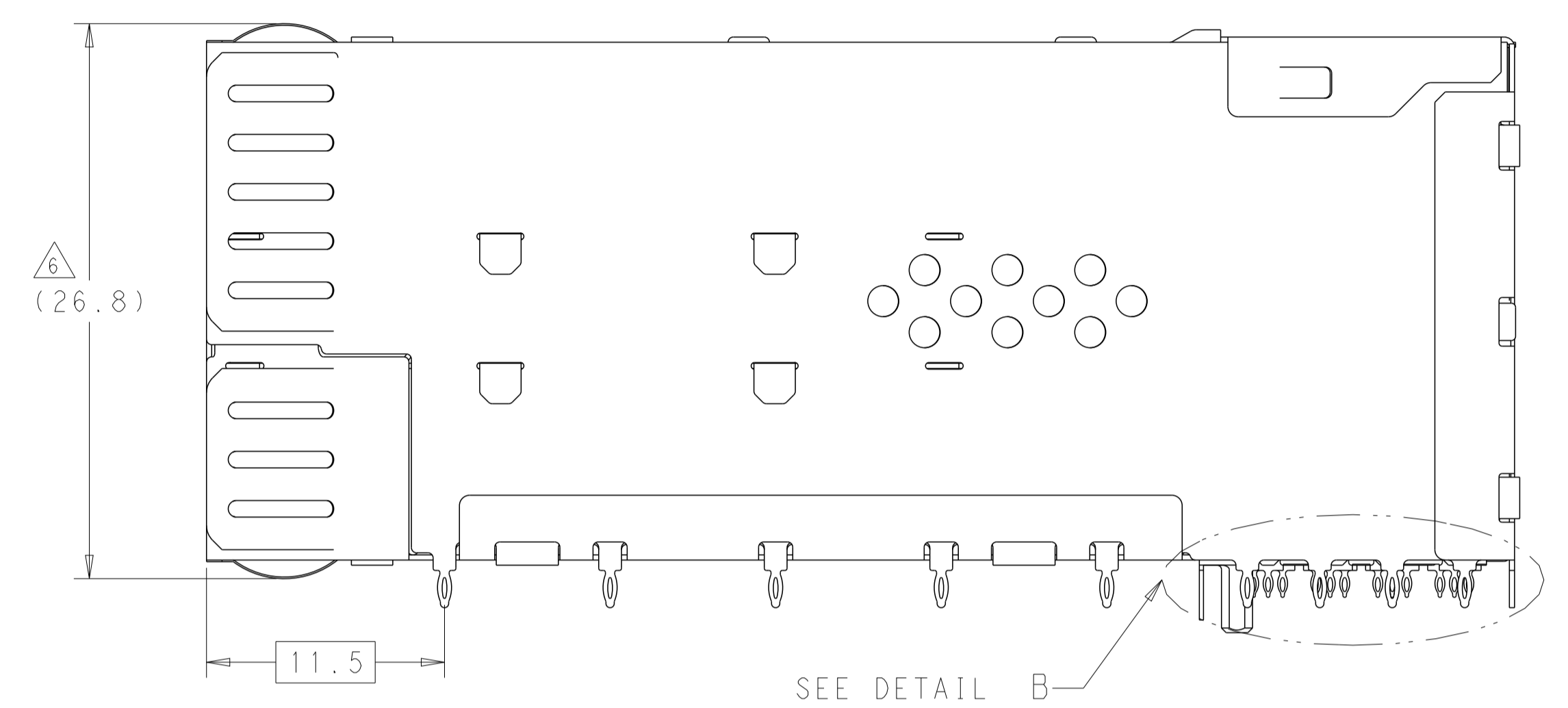
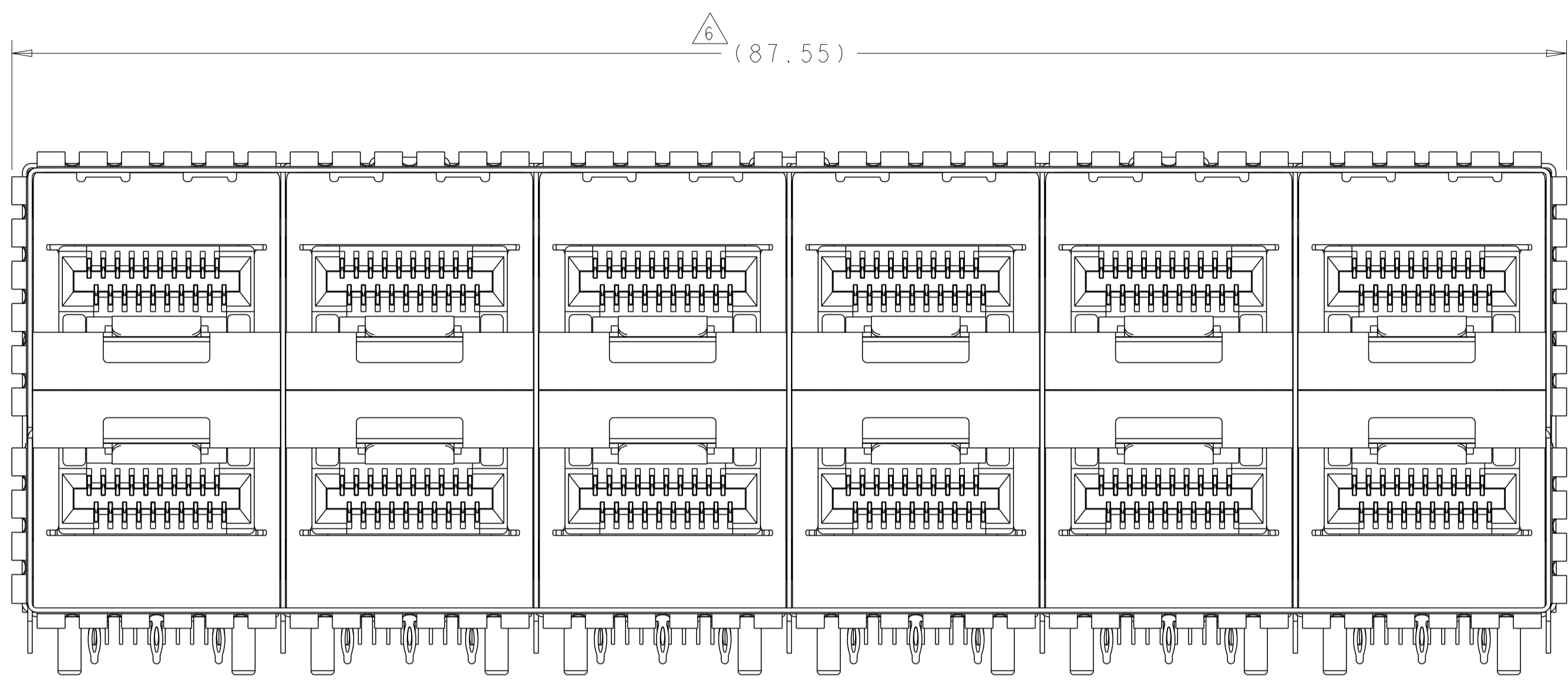


AIR VENTS

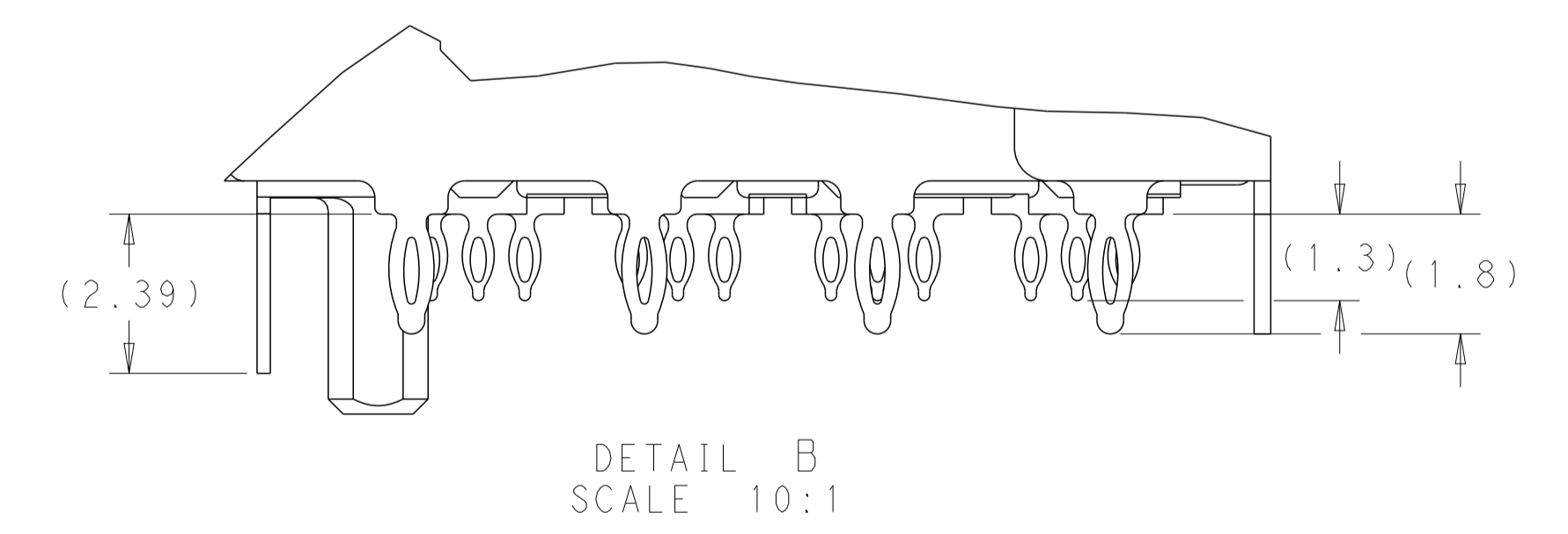
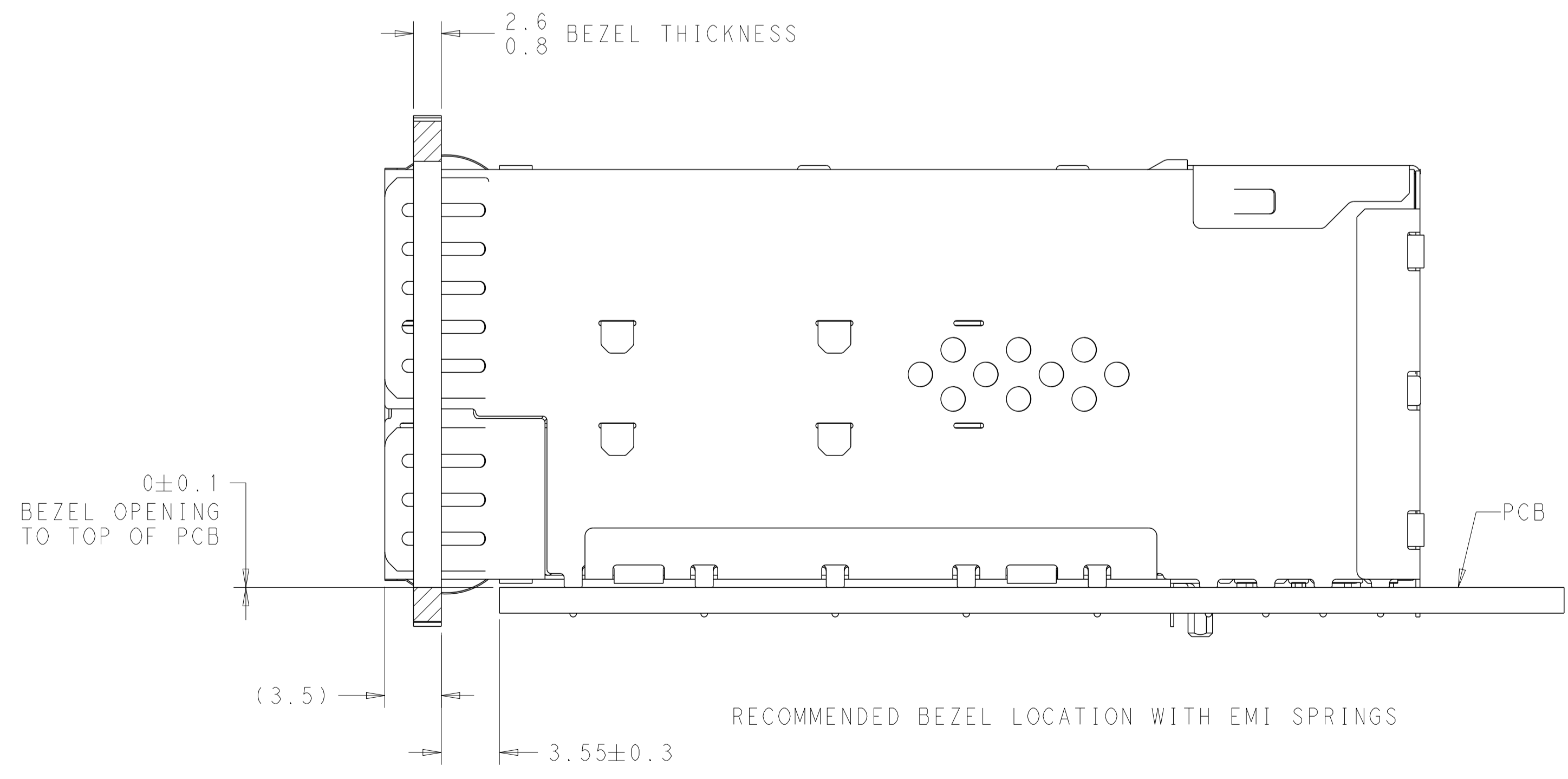
3-2198339-1  
EMI SPRING TYPE

|  |   |                                     |  |
|--|---|-------------------------------------|--|
| THIS DRAWING IS A CONTROLLED DOCUMENT. |   | DMN<br>M. E. CONNER<br>07DEC2011    |  |
| DIMENSIONS:                            |   | CHK<br>M. D. MORRISON<br>13DEC2011  |  |
| mm                                     | 0 PLC ±<br>1 PLC ±0.20<br>2 PLC ±0.15<br>3 PLC ±0.10<br>4 PLC ±<br>ANGLES ±°<br>FINISH ±* | APVD<br>M. D. MORRISON<br>13DEC2011 | NAME<br>RECEPTACLE ASSEMBLY ,2X6<br>STACKED, zSFP+ |
| MATERIAL<br>SEE NOTES                  | SEE NOTES   | PRODUCT SPEC<br>108-2481            | SIZE<br>A100779                                    |
|  |   | APPLICATION SPEC<br>114-13319       | CAGE CODE<br>C=2198339                             |
|  |   | WEIGHT<br>Customer Drawing          | RESTRICTED TO<br>-                                 |
|  |   | SCALE<br>1:1                        | SHEET<br>2 OF 6                                    |
|  |   |                                     | REV<br>C   |

| LOC |     | DIST        |      | REVISIONS |      |  |  |
|-----|-----|-------------|------|-----------|------|--|--|
| P   | LTN | DESCRIPTION | DATE | DMN       | APVD |  |  |
| -   | -   | SEE SHEET 1 | -    | -         | -    |  |  |
|     |     |             |      |           |      |  |  |
|     |     |             |      |           |      |  |  |



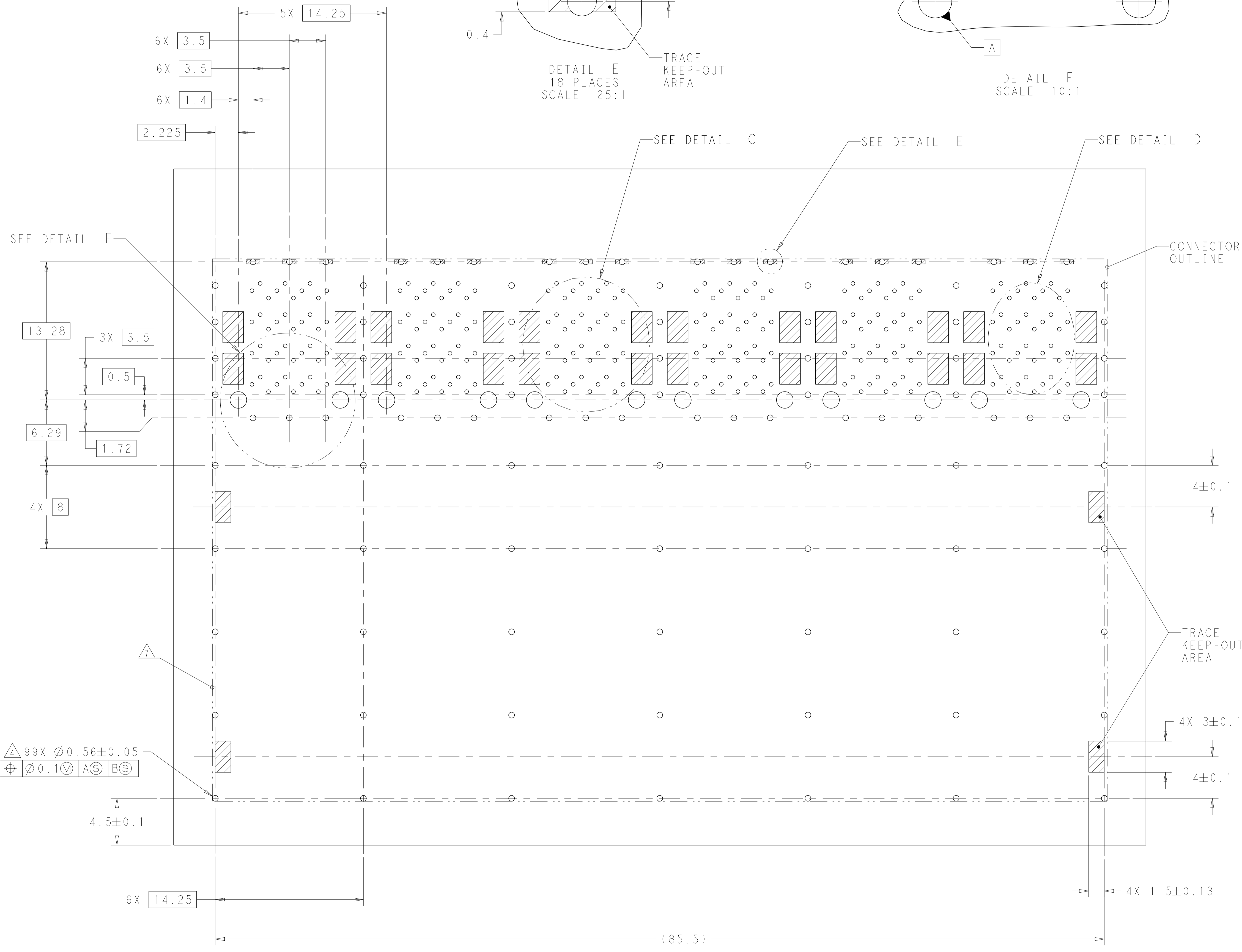
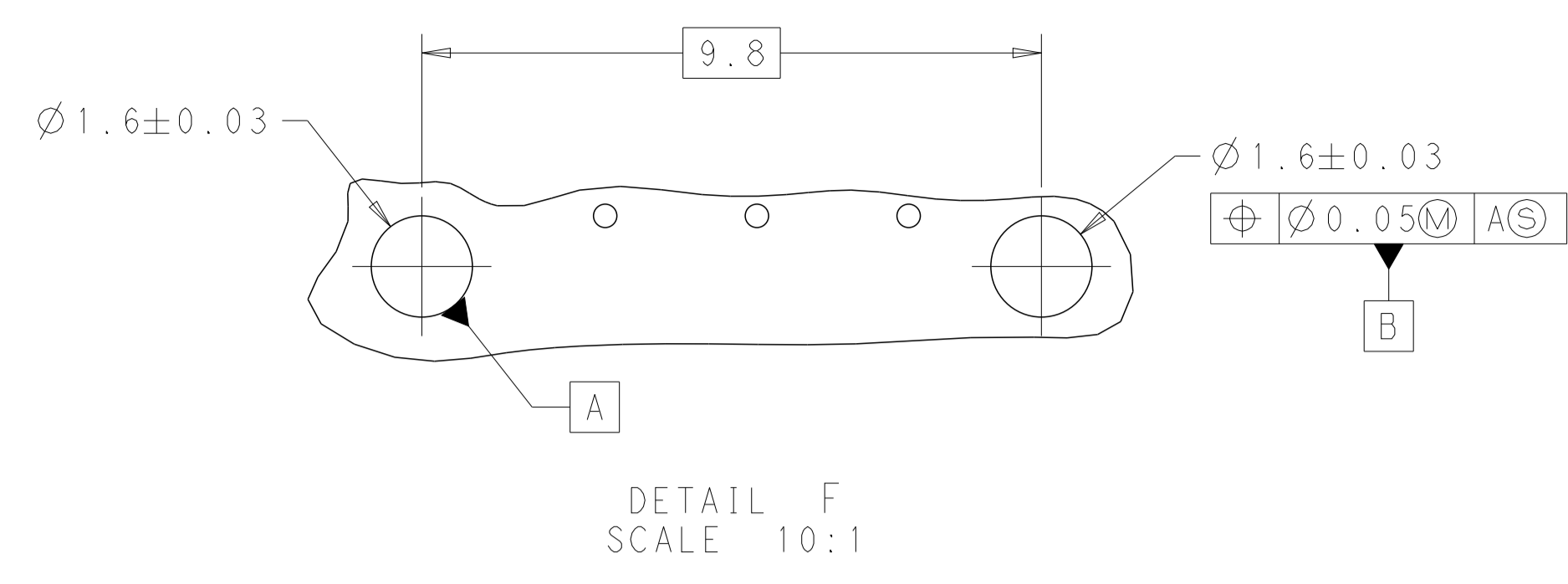
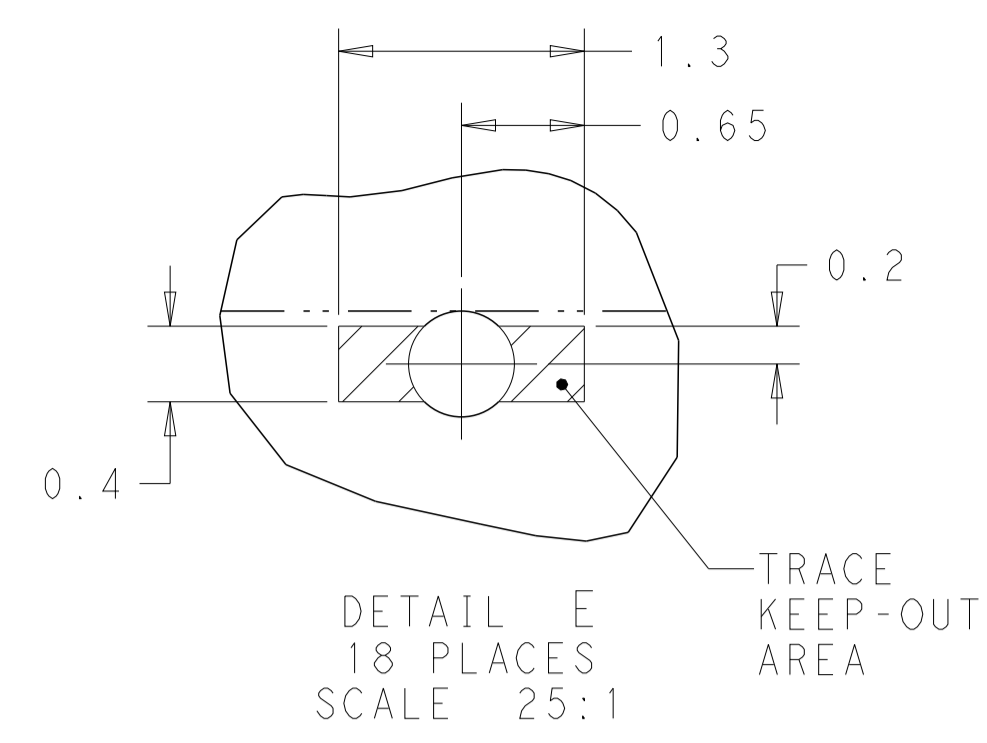
2198339-5 THRU 2198339-8, 1-2198339-9, 2-2198339-0, 2-2198339-1  
 EMI SPRINGS ONLY  
 SCALE 4:1



|  |  |                                     |  |
|--|--|-------------------------------------|--|
| THIS DRAWING IS A CONTROLLED DOCUMENT.                                       |  | DMN<br>M. E. CONNER<br>07DEC2011    | TE Connectivity                                    |
| DIMENSIONS:<br>mm  |  | CHK<br>M. D. MORRISON<br>13DEC2011  |  |
| TOLERANCES UNLESS OTHERWISE SPECIFIED:                                       |  | APVD<br>M. D. MORRISON<br>13DEC2011 | NAME<br>RECEPTACLE ASSEMBLY ,2X6<br>STACKED, zSFP+ |
| 0 PLC ±<br>1 PLC ±0.20<br>2 PLC ±0.15<br>3 PLC ±0.10<br>4 PLC ±<br>ANGLES ±° |  | PRODUCT SPEC<br>108-2481            | SIZE<br>A100779                                    |
| MATERIAL<br>SEE NOTES  |  | APPLICATION SPEC<br>114-13319       | CAGE CODE<br>C=2198339                             |
| FINISH<br>SEE NOTES  |  | WEIGHT<br>-                         | RESTRICTED TO<br>-                                 |
| Customer Drawing   |  | SCALE 1:1                           | SHEET 3 OF 6 REV C                                 |

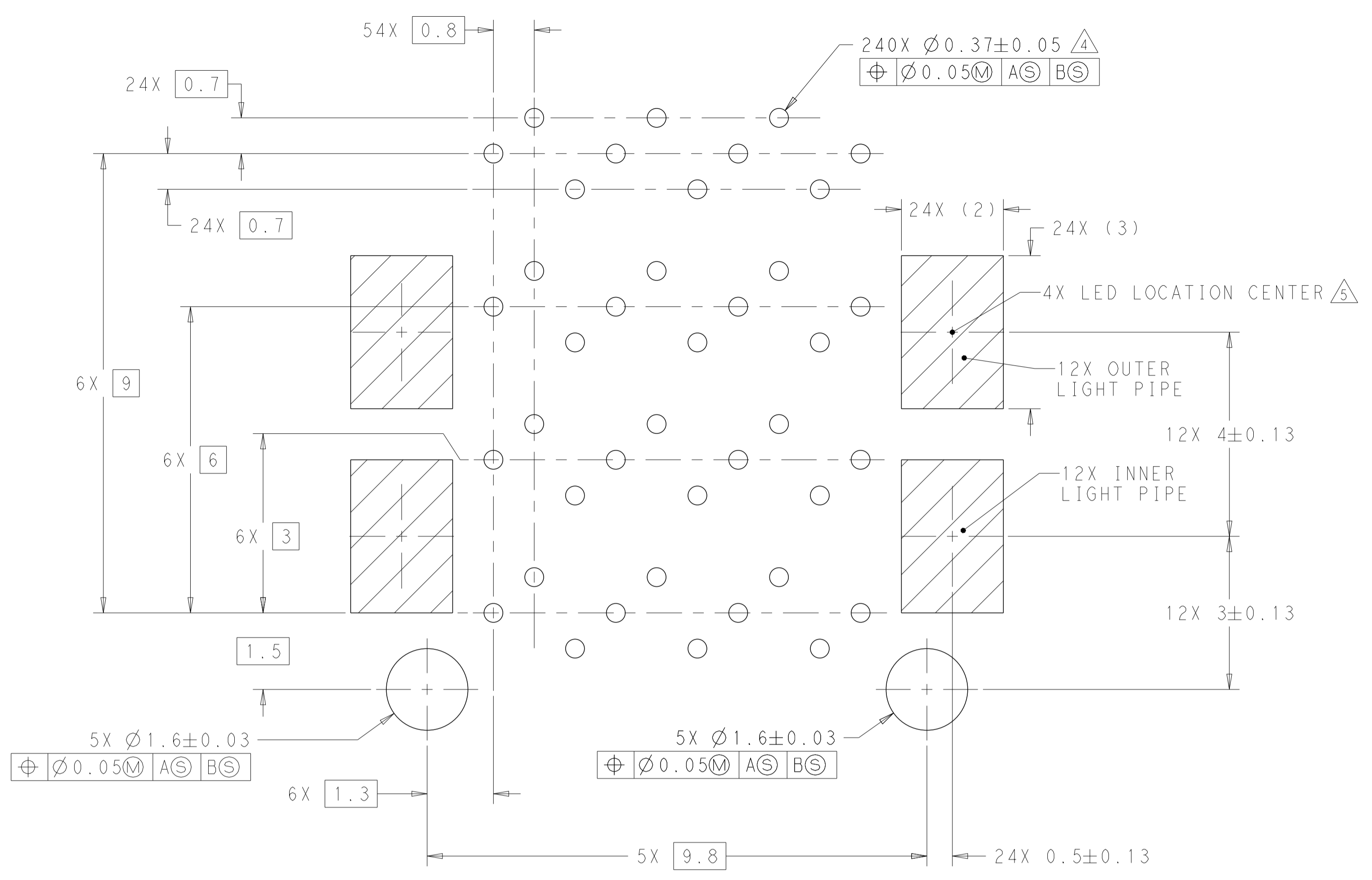


| LOC |     | DIST        |      | REVISIONS |      |  |  |
|-----|-----|-------------|------|-----------|------|--|--|
| P   | LTN | DESCRIPTION | DATE | DWN       | APVD |  |  |
| -   | -   | SEE SHEET 1 | -    | -         | -    |  |  |

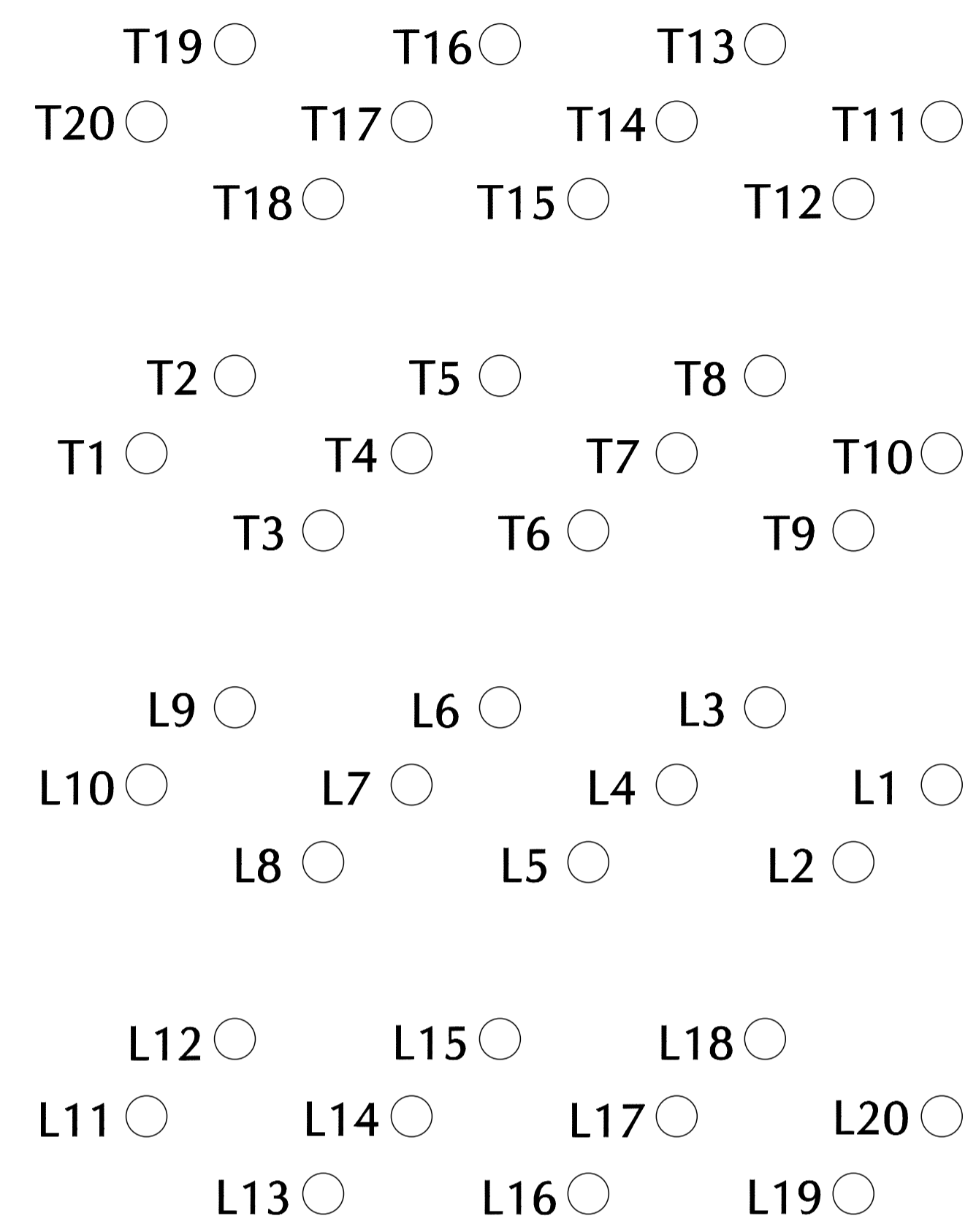


|  |  |                               |   |
|--|--|-------------------------------|---|
| THIS DRAWING IS A CONTROLLED DOCUMENT.                                       |  | DWN: M.E. CONNER 07DEC2011    | TE Connectivity                               |
| DIMENSIONS: mm   |  | CHK: M.D. MORRISON 13DEC2011  |   |
| TOLERANCES UNLESS OTHERWISE SPECIFIED:                                       |  | APVD: M.D. MORRISON 13DEC2011 | NAME: RECEPTACLE ASSEMBLY, 2X6 STACKED, zSFP+ |
| 0 PLC ±<br>1 PLC ±0.20<br>2 PLC ±0.15<br>3 PLC ±0.10<br>4 PLC ±<br>ANGLES ±° |  | PRODUCT SPEC: 108-2481        | SIZE: A1                                      |
| MATERIAL: SEE NOTES  |  | APPLICATION SPEC: 114-13319   | CAGE CODE: C=2198339                          |
| FINISH: SEE NOTES  |  | WEIGHT: -                     | RESTRICTED TO: -                              |
| Customer Drawing   |  | SCALE: 1:1                    | SHEET 5 OF 6 REV C                            |

| LOC | DIST | REVISIONS   |      |     |      |
|-----|------|-------------|------|-----|------|
| P   | LTN  | DESCRIPTION | DATE | OWN | APVD |
| -   | -    | SEE SHEET 1 | -    | -   | -    |

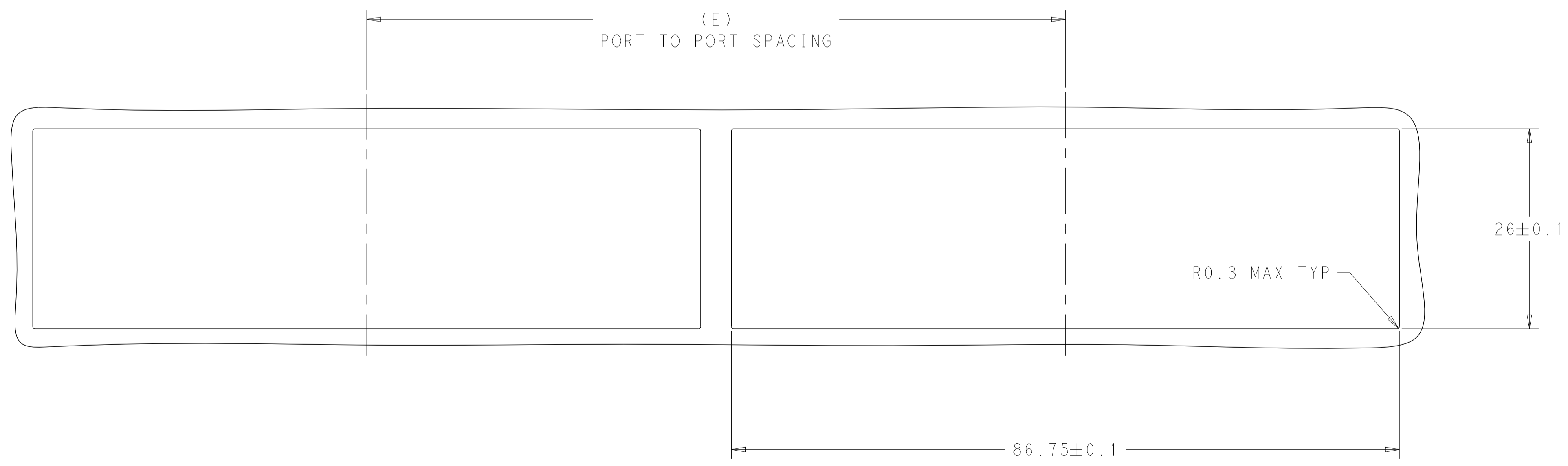


DETAIL C  
 RECOMMENDED PIN AND LIGHT PIPE LAYOUT  
 SCALE 15:1

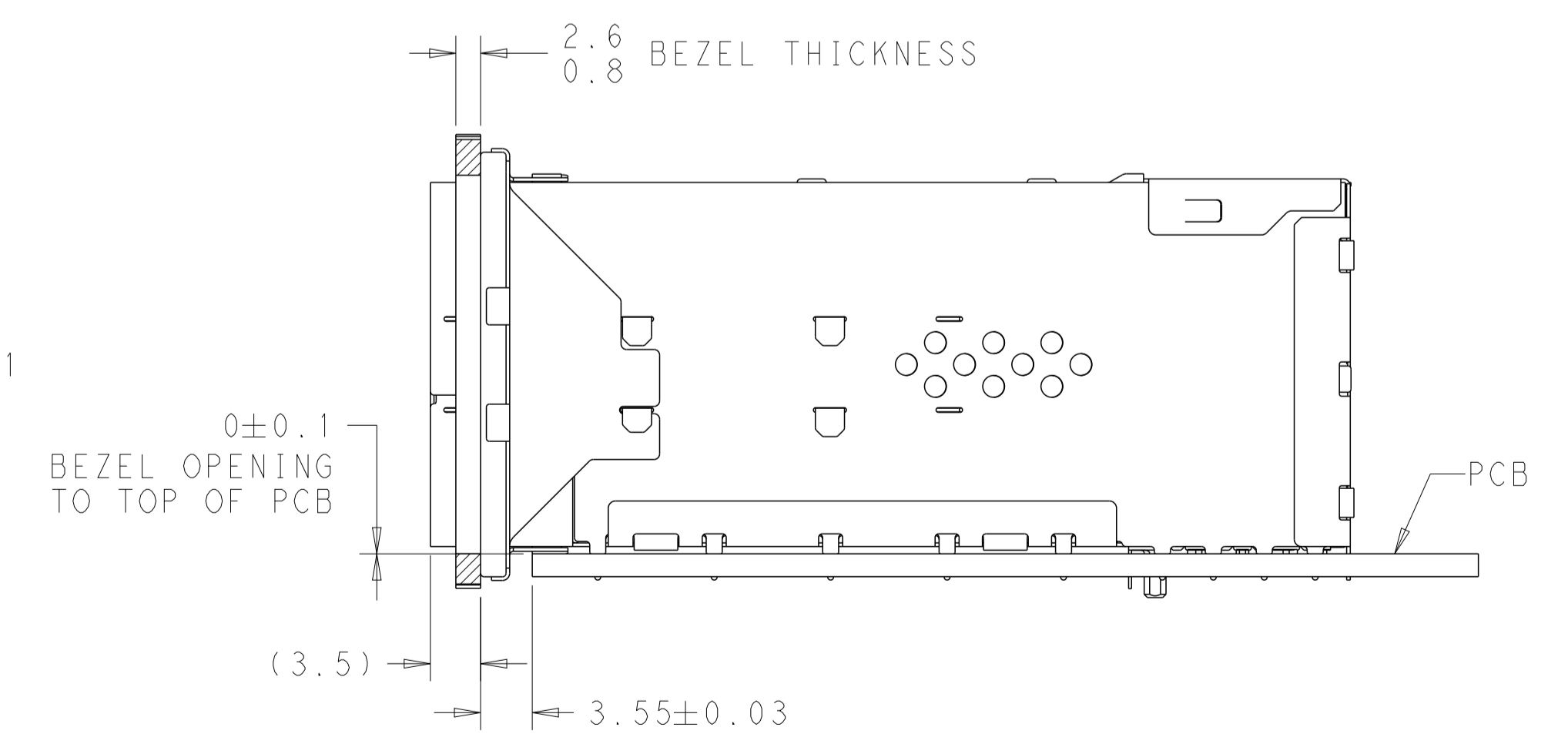


DETAIL D  
 PIN MAP  
 6 PLACES  
 SCALE 20:1

| PIN MAP LEGEND |            |
|----------------|------------|
| PIN NUMBER     | FUNCTION   |
| L1/T1          | VEET       |
| L2/T2          | TX-FAULT   |
| L3/T3          | TX-DISABLE |
| L4/T4          | SDA        |
| L5/T5          | SCL        |
| L6/T6          | MOD_ABS    |
| L7/T7          | RSO        |
| L8/T8          | RX_LOS     |
| L9/T9          | RS1        |
| L10/T10        | VEER       |
| L11/T11        | VEER       |
| L12/T12        | RD-        |
| L13/T13        | RD+        |
| L14/T14        | VEER       |
| L15/T15        | VCCR       |
| L16/T16        | VCCT       |
| L17/T17        | VEET       |
| L18/T18        | TD+        |
| L19/T19        | TD-        |
| L20/T20        | VEET       |



RECOMMENDED BEZEL CUT-OUT DETAIL  
 SCALE 5:2



RECOMMENDED BEZEL LOCATION WITH EMI GASKET  
 SCALE 5:2

|  |  |                               |   |
|--|--|-------------------------------|---|
| THIS DRAWING IS A CONTROLLED DOCUMENT. |  | OWN: M.E. CONNER 07DEC2011    | TE Connectivity                               |
| DIMENSIONS: mm                         |  | CHK: M.D. MORRISON 13DEC2011  |   |
| TOLERANCES UNLESS OTHERWISE SPECIFIED: |  | APVD: M.D. MORRISON 13DEC2011 | NAME: RECEPTACLE ASSEMBLY ,2X6 STACKED, zSFP+ |
| 0 PLC ±.20                             |  | PRODUCT SPEC: 108-2481        |   |
| 1 PLC ±0.15                            |  | APPLICATION SPEC: 114-13319   | SIZE: A100779 C=2198339                       |
| 2 PLC ±0.10                            |  | WEIGHT: -                     |   |
| 3 PLC ±.08                             |  | Customer Drawing              | RESTRICTED TO: -                              |
| 4 PLC ±.05                             |  | SCALE: 1:1                    | SHEET: 6 OF 6                                 |
| ANGLES: ±.5°                           |  | REV: C                        |   |
| FINISH: SEE NOTES                      |  |                               |   |