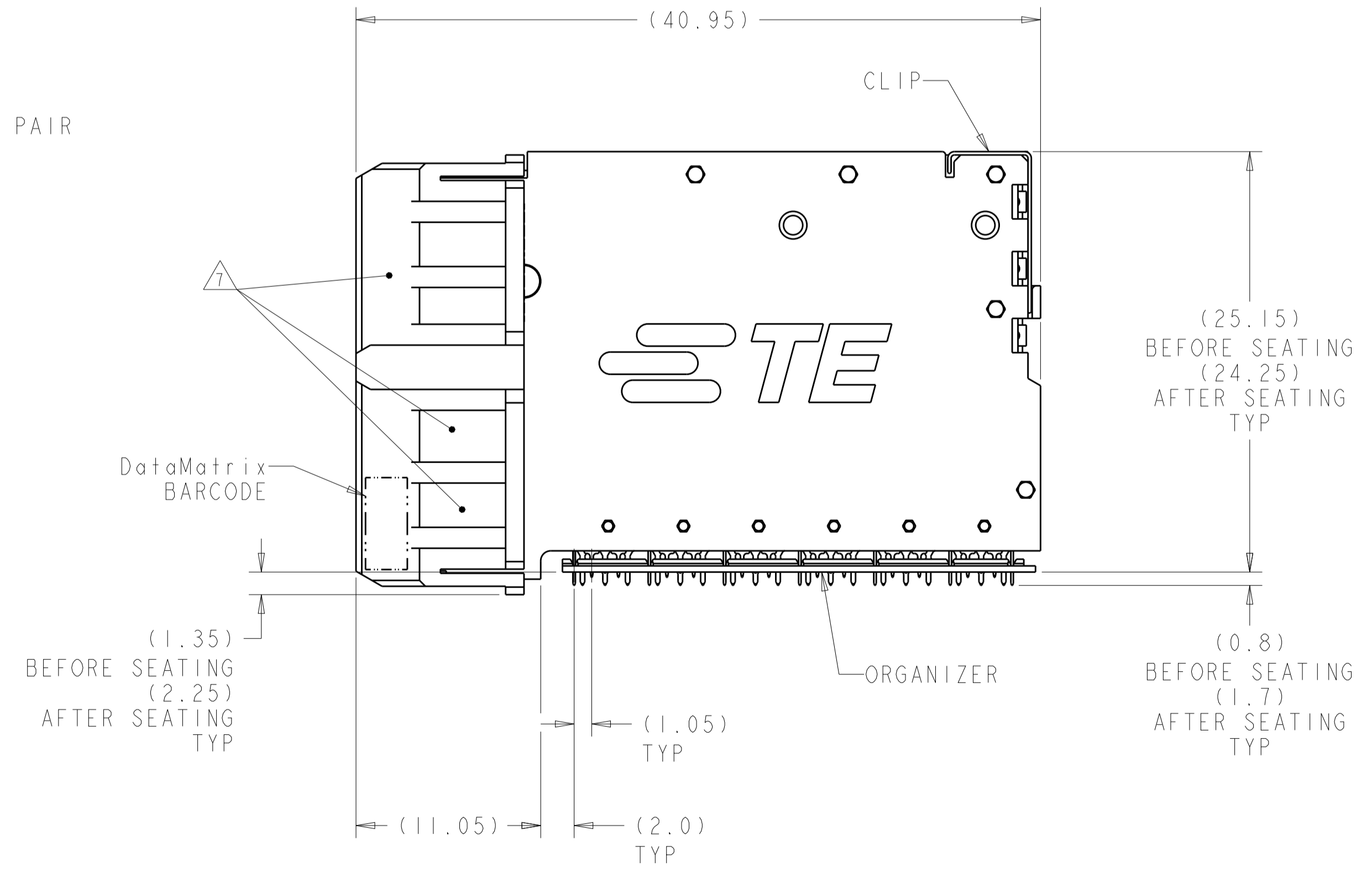
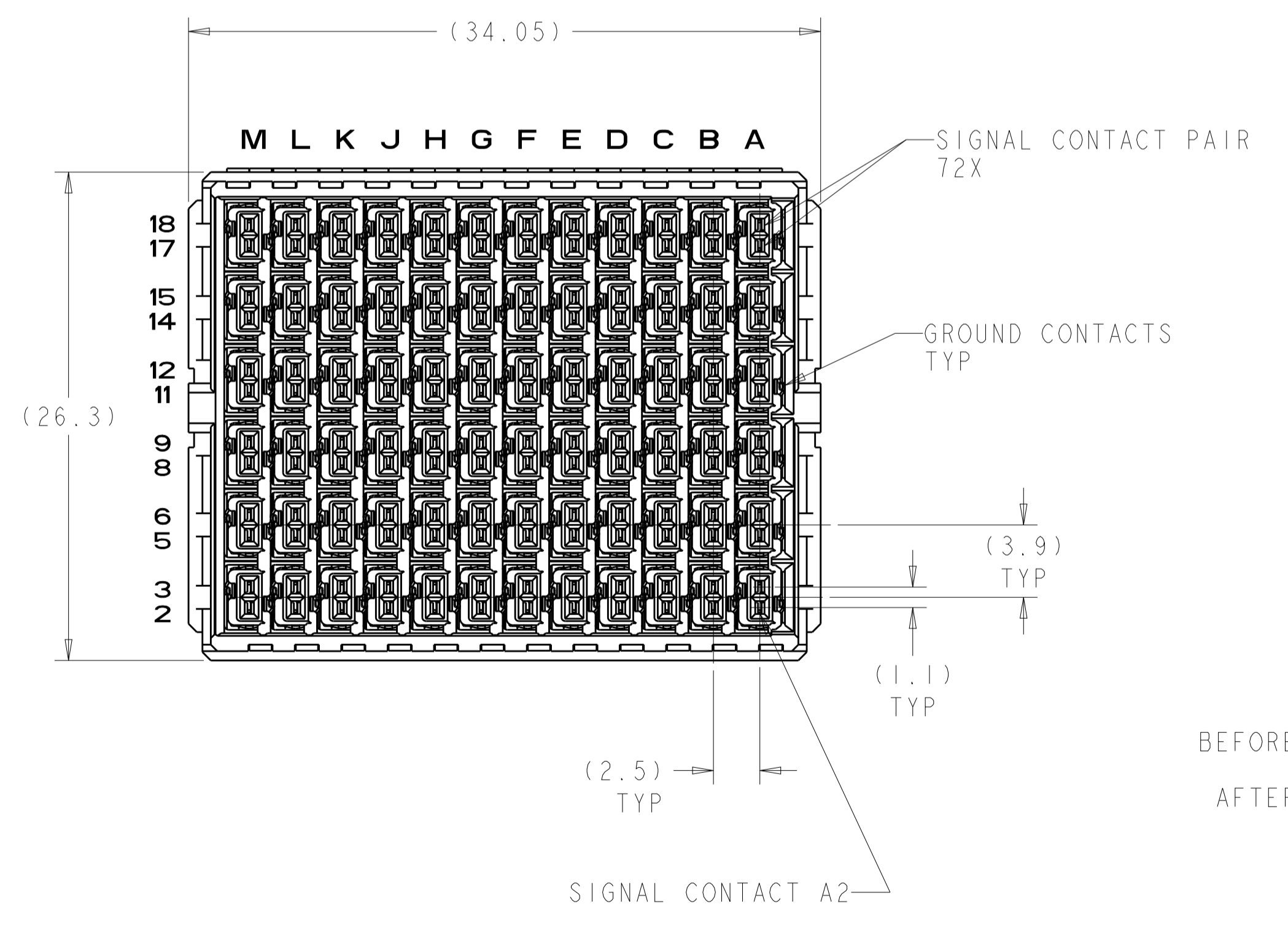
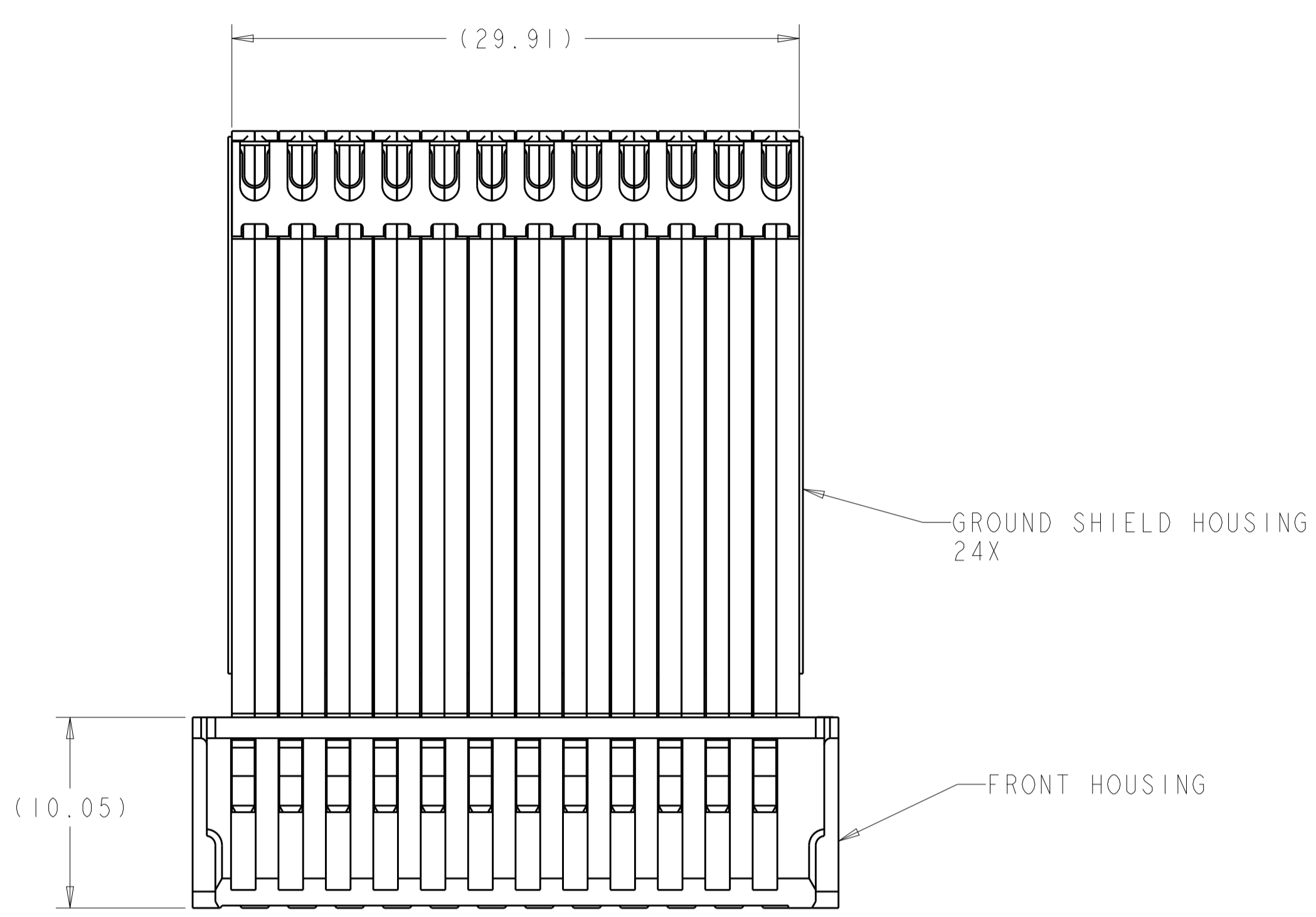


LOC		DIST		REVISIONS					
GP		00		P	LTN	DESCRIPTION	DATE	DWN	APVD
		A				RELEASED PER ECO-17-009578	05JUL2017	JM	DT
		B				REVISED PER ECO-19-011912	05AUG2019	AP	RP

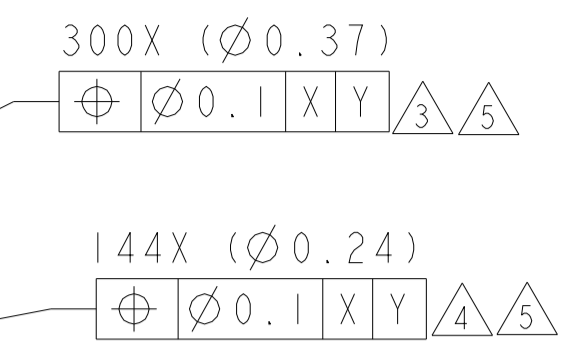
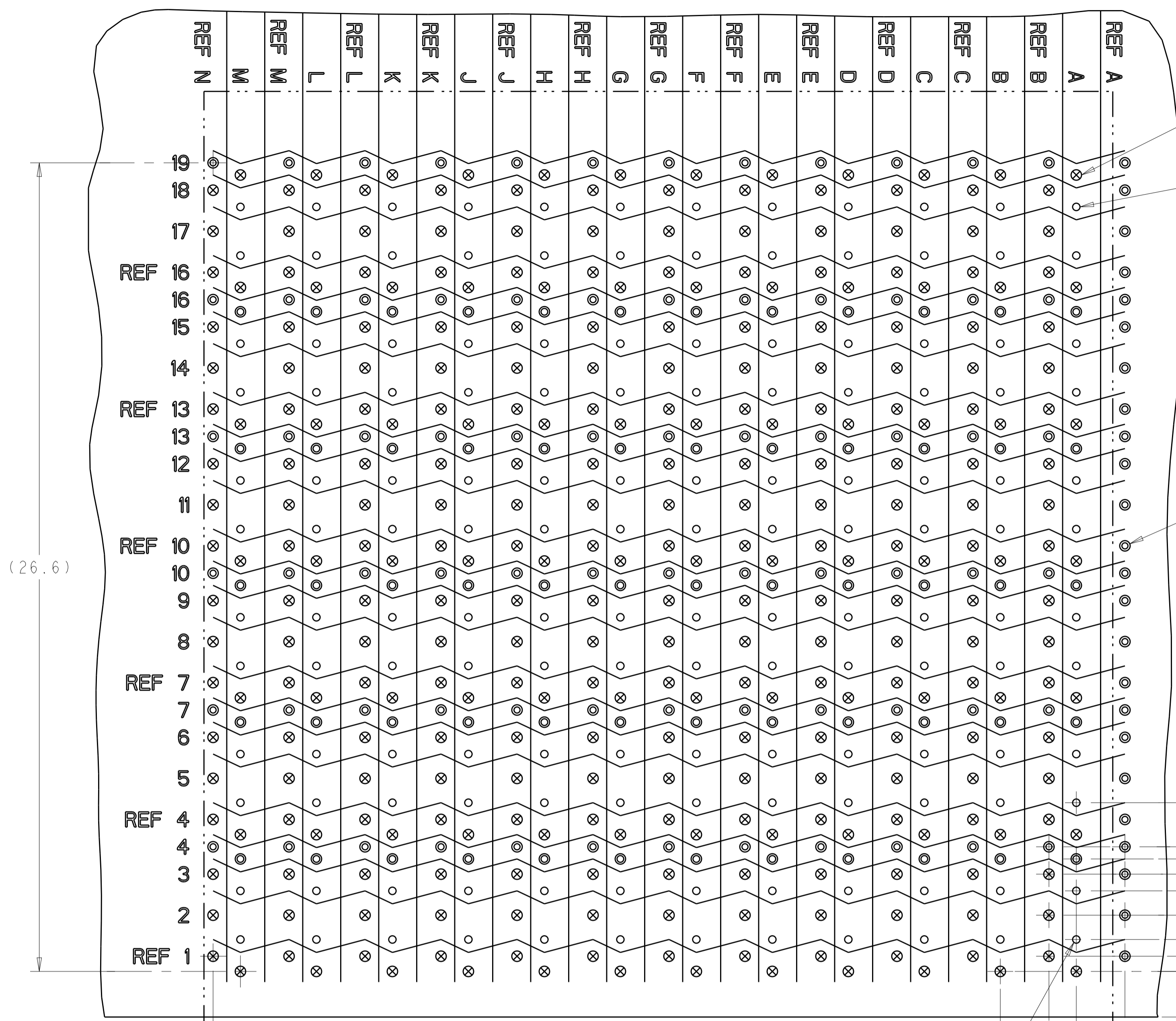


- 1 CONTACTS - COPPER ALLOY. CLIP - STAINLESS STEEL, HOUSINGS AND ORGANIZER - THERMOPLASTIC, UL 94V-0, BLACK.
- 2 CONFORMS TO REQUIREMENTS OF TE PRODUCT SPECIFICATION 108-32021, BASED ON TELCORDIA GR-1217-CORE FOR SYSTEM QUALITY LEVEL III APPLICATIONS IN CONTROLLED ENVIRONMENTS (CENTRAL OFFICE).
- 3 PLATED THRU HOLE REQUIREMENTS -GROUND AND S1:  
 FINISHED HOLE =  $\varnothing 0.37 \pm 0.05$   
 DRILLED HOLE =  $\varnothing 0.450 \pm 0.025$   
 COPPER THICKNESS = 0.025 MIN  
 IMMERSION TIN IF APPLICABLE = (0.00095)
- 4 PLATED THRU HOLE REQUIREMENTS -SIGNAL:  
 FINISHED HOLE =  $\varnothing 0.24 \pm 0.04$   
 DRILLED HOLE =  $\varnothing 0.320 \pm 0.025$   
 COPPER THICKNESS = 0.025 MIN  
 IMMERSION TIN IF APPLICABLE = (0.00095)
- 5 SIGNAL HOLES:  
 PLATED THRU HOLE DIMENSIONS APPLY TO THE TOP 1.00 MOUNTING SIDE OF PCB THICKNESS FROM THE CONNECTOR MOUNTING SIDE.  
 GROUND HOLES:  
 PLATED THRU HOLE DIMENSIONS APPLY TO THE TOP 1.25 MOUNTING SIDE OF PCB THICKNESS FROM THE CONNECTOR MOUNTING SIDE.
- 6 DATUMS AND BASIC DIMENSIONS ESTABLISHED BY CUSTOMER.
- 7 CONNECTOR MARKED ON EITHER SIDE OF HOUSING WITH PART NUMBER, DATE CODE, AND "100 OHM" IN APPROXIMATE AREA SHOWN.

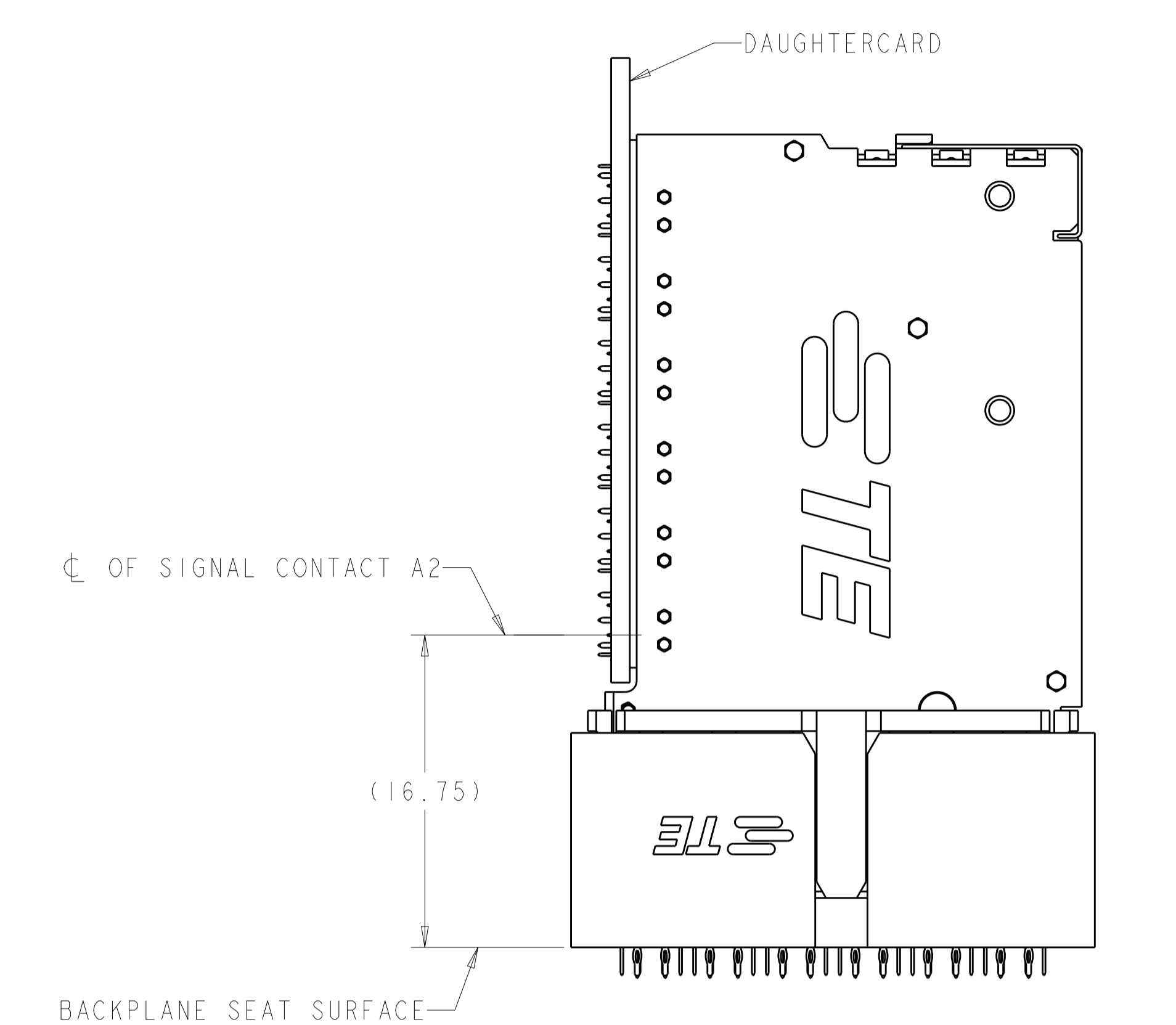
TIN	2198174-1
PRESS-FIT TAIL PLATING	PART NO

THIS DRAWING IS A CONTROLLED DOCUMENT.		DWN	J. McCLINTON	2AUG2011
DIMENSIONS:		CHK	J. McCLELLAN	12AUG2011
mm	0 PLC ±	APVD	J. McCLELLAN	12AUG2011
	1 PLC ±0.25	NAME		
	2 PLC ±0.20	RECEPTACLE ASSEMBLY, RIGHT ANGLE,		
	3 PLC ±	6 PAIR 12 COLUMN,		
	4 PLC ±	100 OHM PiC, STRADA WHISPER		
	ANGLES ±	PRODUCT SPEC	2	
MATERIAL	FINISH	APPLICATION SPEC	SIZE	
		114-32029	CAGE CODE DRAWING NO	
		WEIGHT	RESTRICTED TO	
			A1 00779 C=2198174	
		CUSTOMER DRAWING	SCALE	4:1
			SHEET	1 OF 2
			REV	B

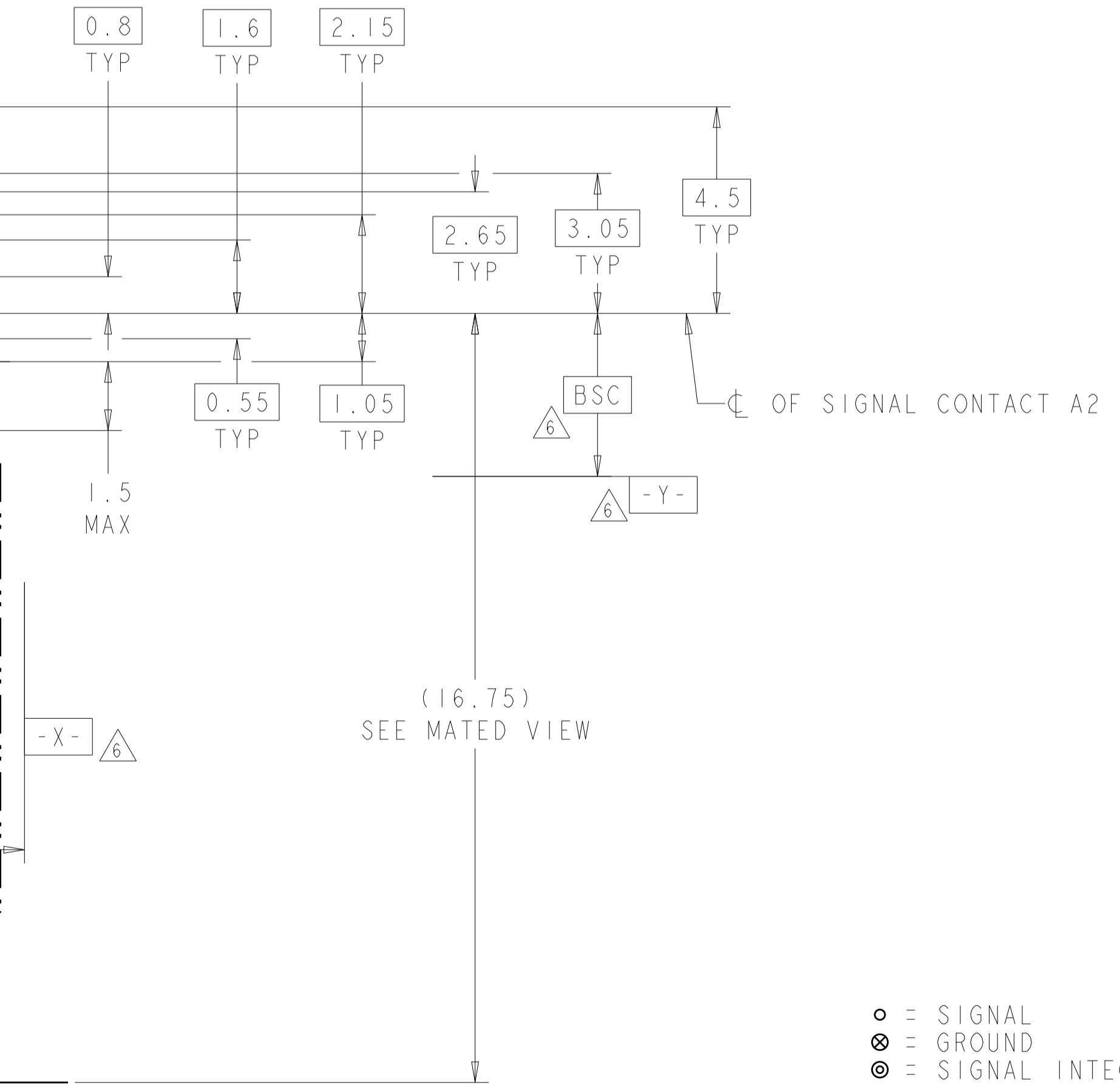
LOC	DIST	REVISIONS					
GP	00	P	LTN	DESCRIPTION	DATE	OWN	APVD
		-	-	SEE SHEET 1	-	-	-



SI VIAS ARE NOT USED FOR CONTACT INSERTION



MATED VIEW



- = SIGNAL
- ⊗ = GROUND
- ⊙ = SIGNAL INTEGRITY VIA TO GROUND

PCB LAYOUT  
COMPONENT SIDE  
SCALE 10:1

THIS DRAWING IS A CONTROLLED DOCUMENT.		OWN J. McCLELLAN	2AUG2011		TE Connectivity	
DIMENSIONS:		CHK J. McCLELLAN	12AUG2011		NAME RECEPTACLE ASSEMBLY, RIGHT ANGLE, 6 PAIR 12 COLUMN, 100 OHM PiC, STRADA WHISPER	
mm	TOLERANCES UNLESS OTHERWISE SPECIFIED:	APVD J. McCLELLAN	12AUG2011	PRODUCT SPEC		
0 PLC	±	APPLICATION SPEC		SIZE CAGE CODE DRAWING NO RESTRICTED TO		
2 PLC	±0.25	WEIGHT		A1 00779 C=2198174		
3 PLC	±0.20	CUSTOMER DRAWING		SCALE 4:1 SHEET 2 OF 2 REV B		
4 PLC	±					
ANGLES	±					
MATERIAL	FINISH					