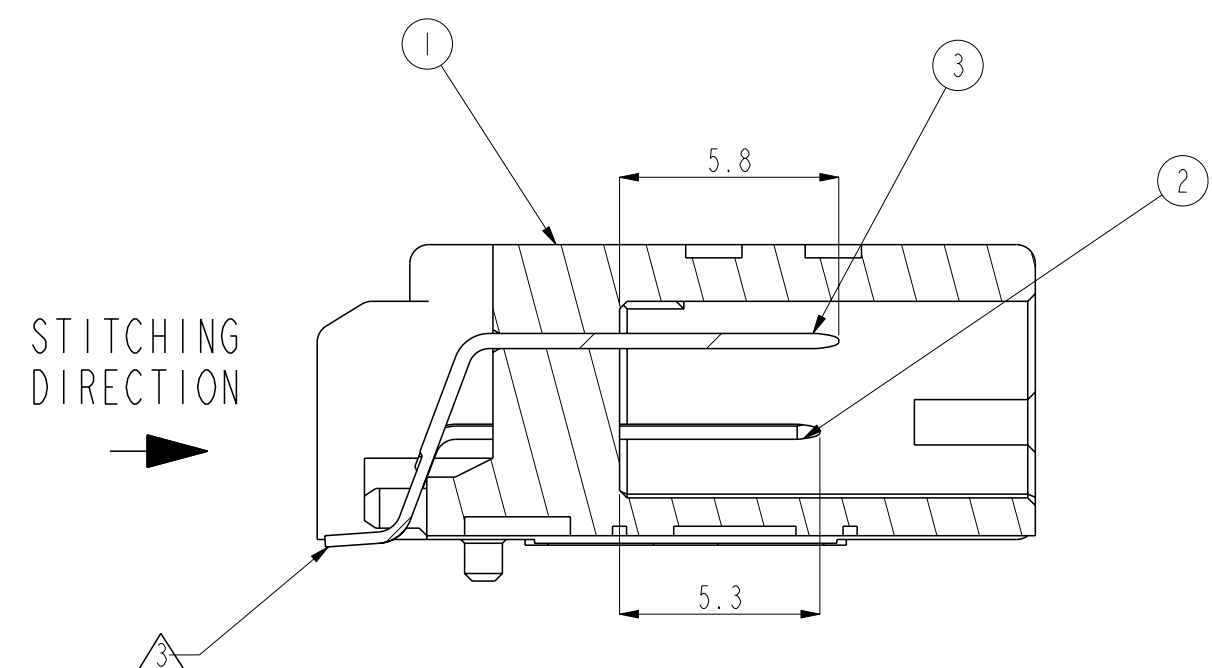
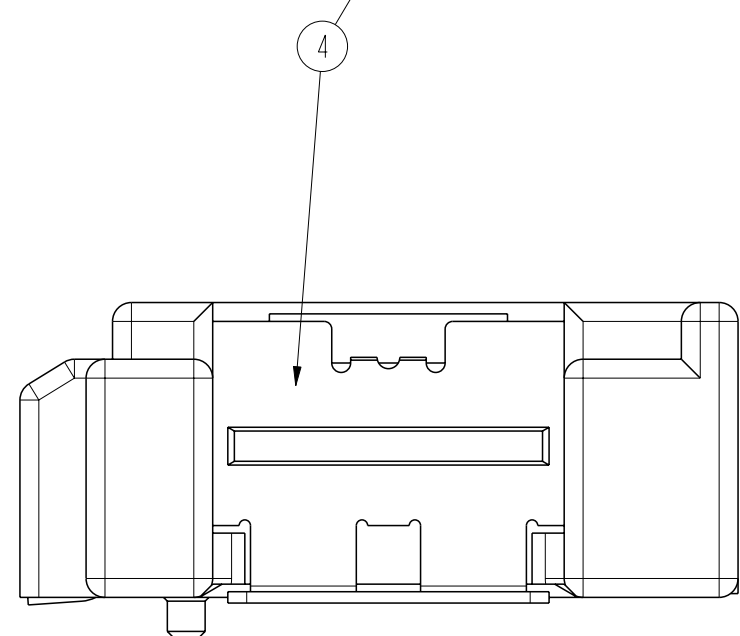
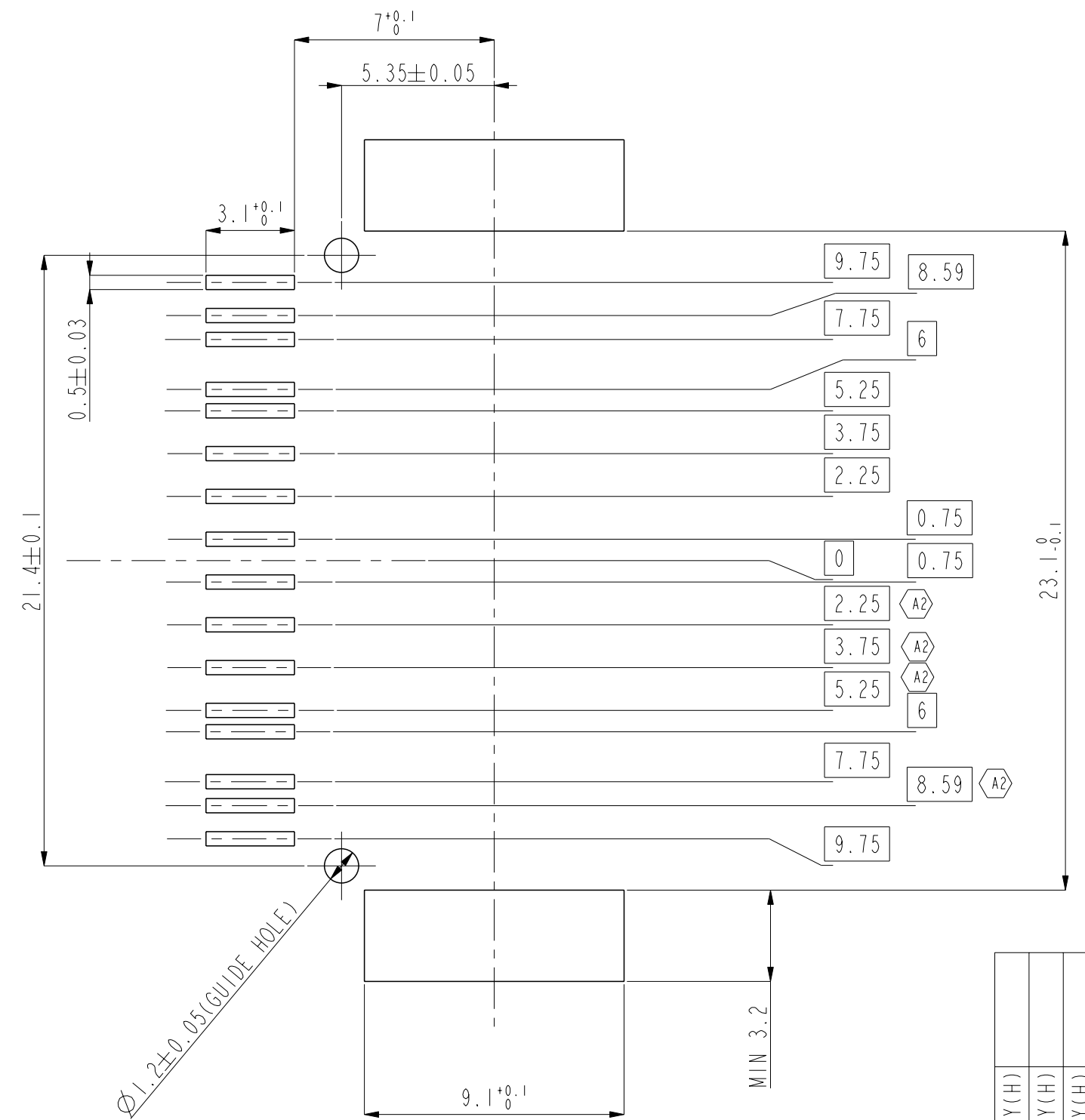
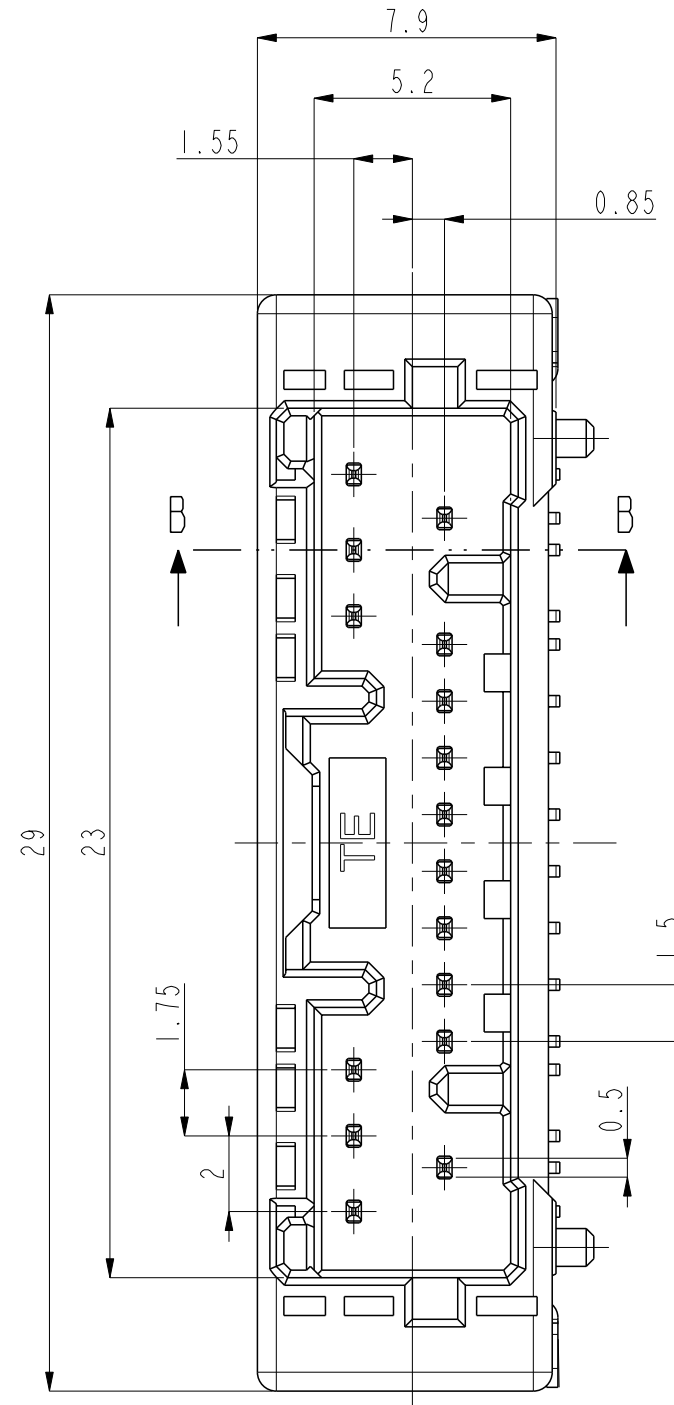
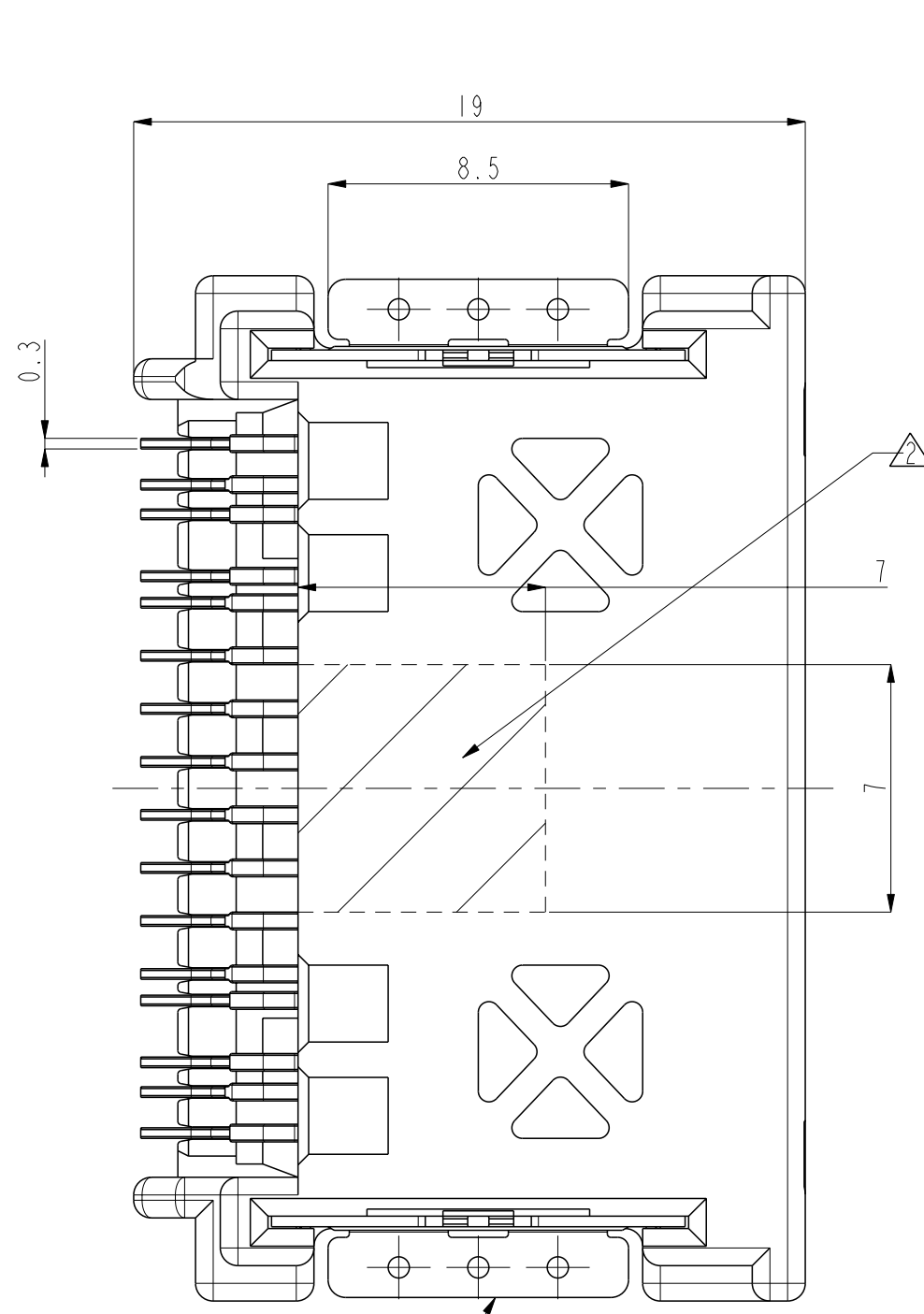


THIS DRAWING IS UNPUBLISHED. RELEASED FOR PUBLICATION 20  
 © COPYRIGHT 20 BY - ALL RIGHTS RESERVED.

REVISIONS				
P	LTR	DESCRIPTION	DATE	APVD
A2		REVISED (ECR-18-002611)	22FEB'18	YJ



NOTE  
 1. GENERAL TOLERANCE: ±0.3, ±2.0°  
 2. ATTACHMENT SURFACE  
 3. COPLANARITY: 0.1MAX.  
 4. THE MATING PLUG ASS'Y P/N: X-2188276-X  
 5. DIELECTRIC WITHSTANDING VOLTAGE : 500V(AC)

NO	COLOR/FINISH	MATERIAL	DESCRIPTION	QTY
4	POST-TIN	COPPER ALLOY	SOLDER PEG	2 2 2
3	SELECTIVE GOLD TIN	COPPER ALLOY	0.5mm TAB(L)	6 6 6
2	SELECTIVE GOLD TIN	COPPER ALLOY	0.5mm TAB(S)	10 10 10
1	BLACK NATURAL	LCP-GF40	16P HEADER HSG	1 1 1

REV.	DESCRIPTION	REMARK
1	020 16P HEADER ASS'Y(H)	
2	020 16P HEADER ASS'Y(H)	
3	020 16P HEADER ASS'Y(H)	

THIS DRAWING IS A CONTROLLED DOCUMENT.

DIMENSIONS: mm	TOLERANCES UNLESS OTHERWISE SPECIFIED: 0 PLC ± 1 PLC ±0.3 2 PLC ±0.10 3 PLC ±0.001 4 PLC ±0.0001 ANGLES ± FINISH	DWN: CH HEO CHK: KT LIM APVD: HG CHO PRODUCT SPEC: 108-61191 APPLICATION SPEC: 114-5379 WEIGHT: -	NAME: 020 16P HEADER ASSEMBLY HORIZONTAL TYPE SIZE: A2 CAGE CODE: - DRAWING NO: C-2188274 RESTRICTED TO: -
----------------	---	--	--

STE TE Connectivity

CUSTOMER DRAWING SCALE 1:1 SHEET 1 OF 1 REV A2