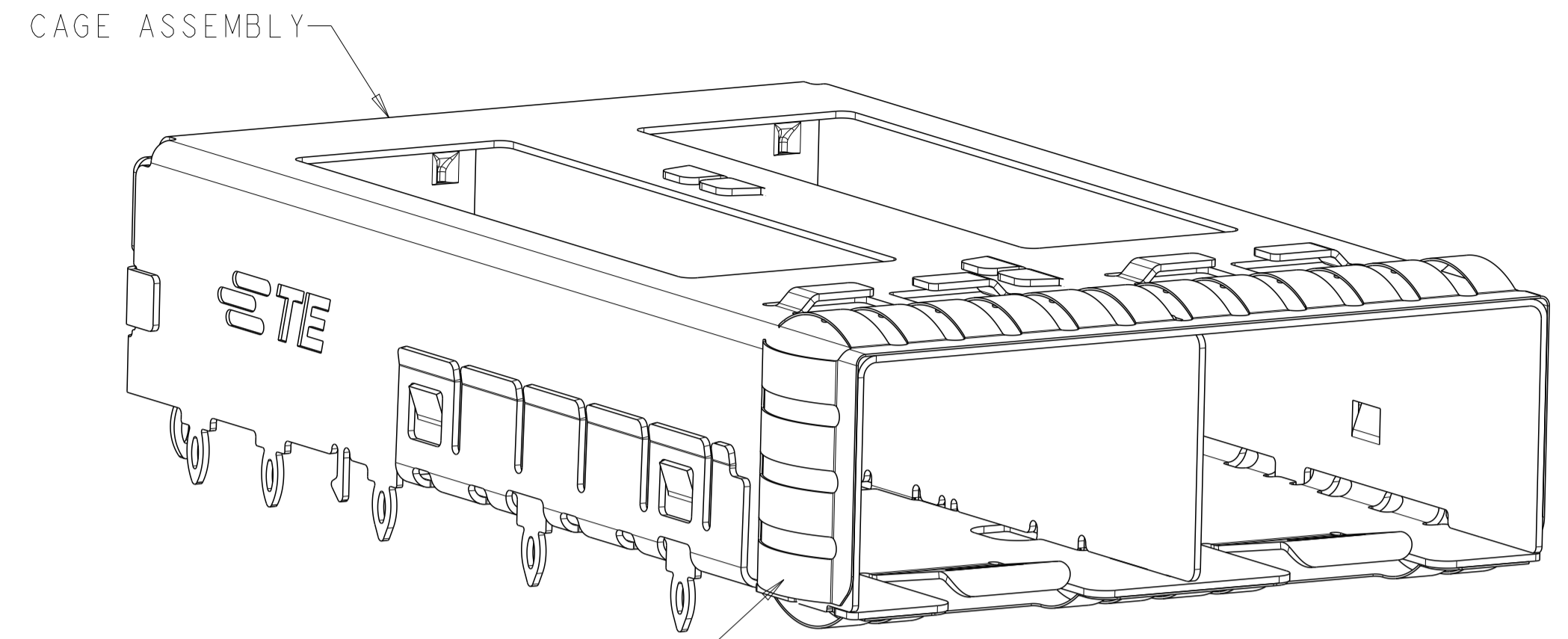
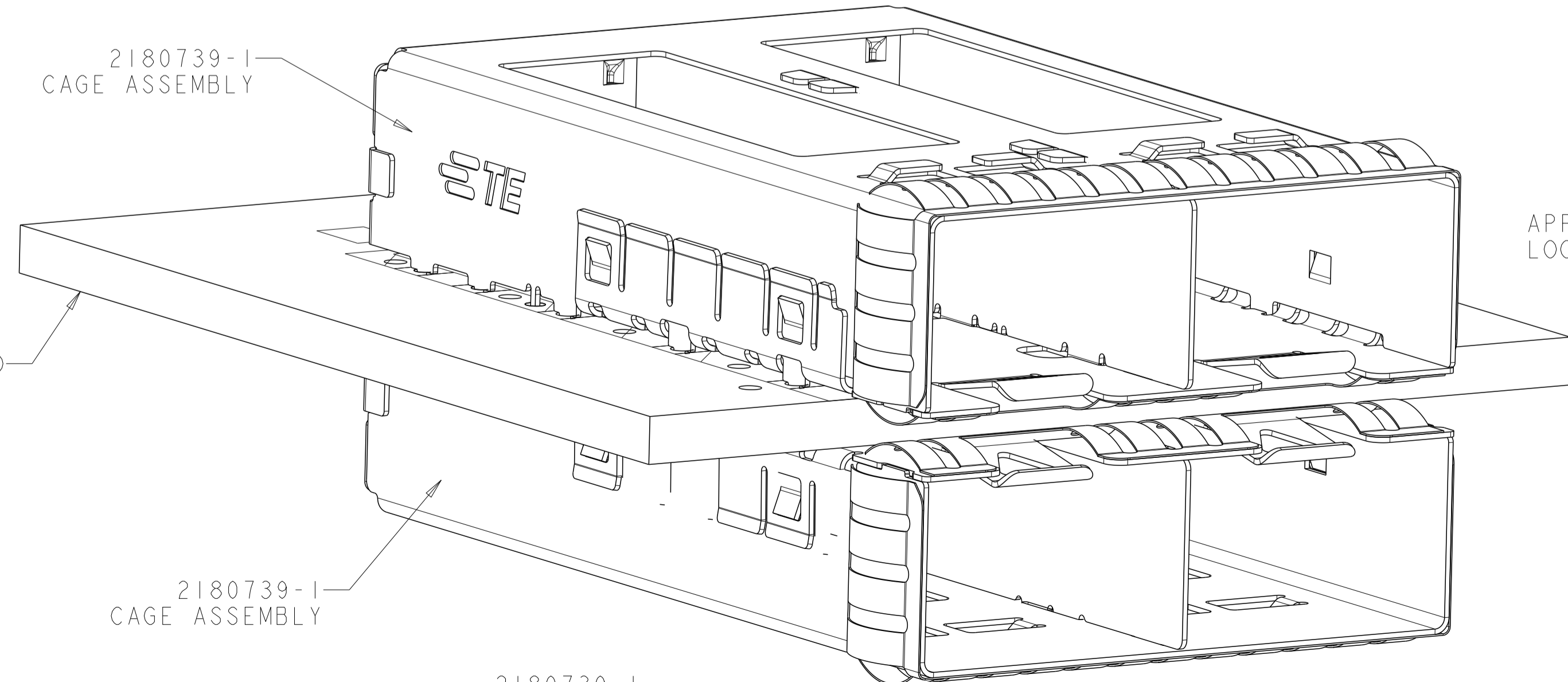
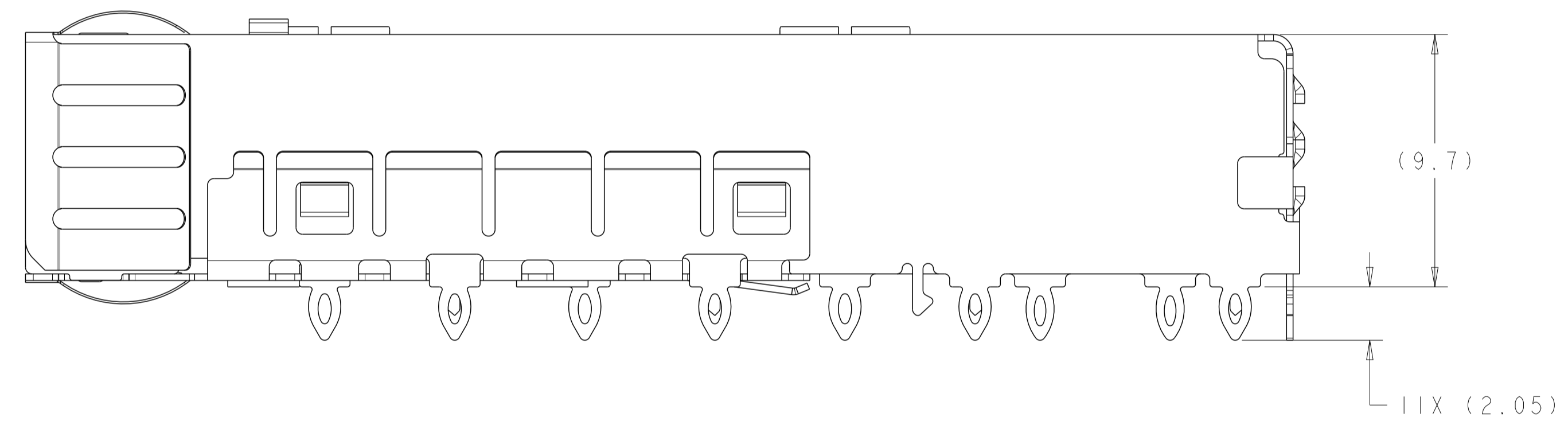
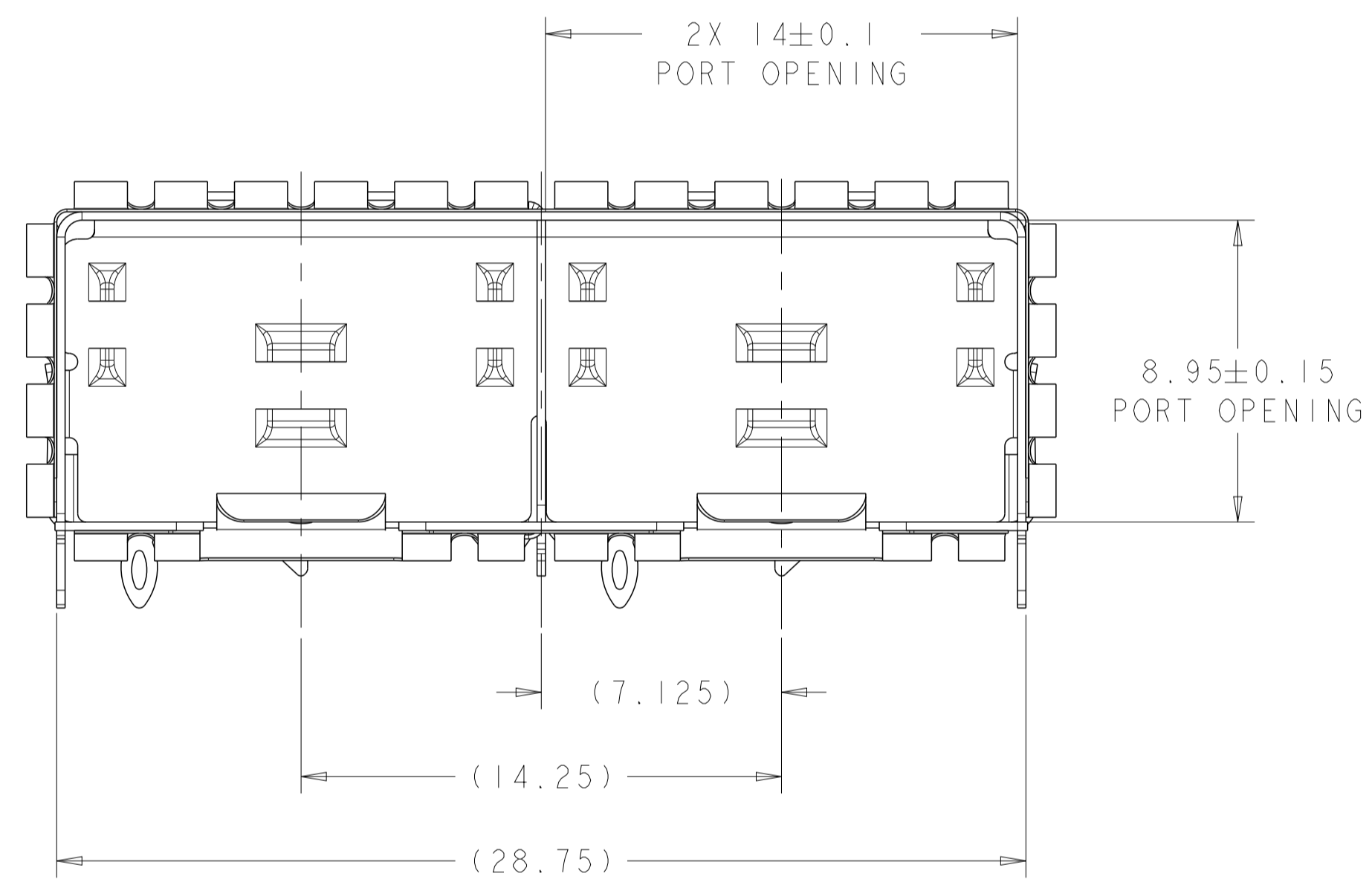


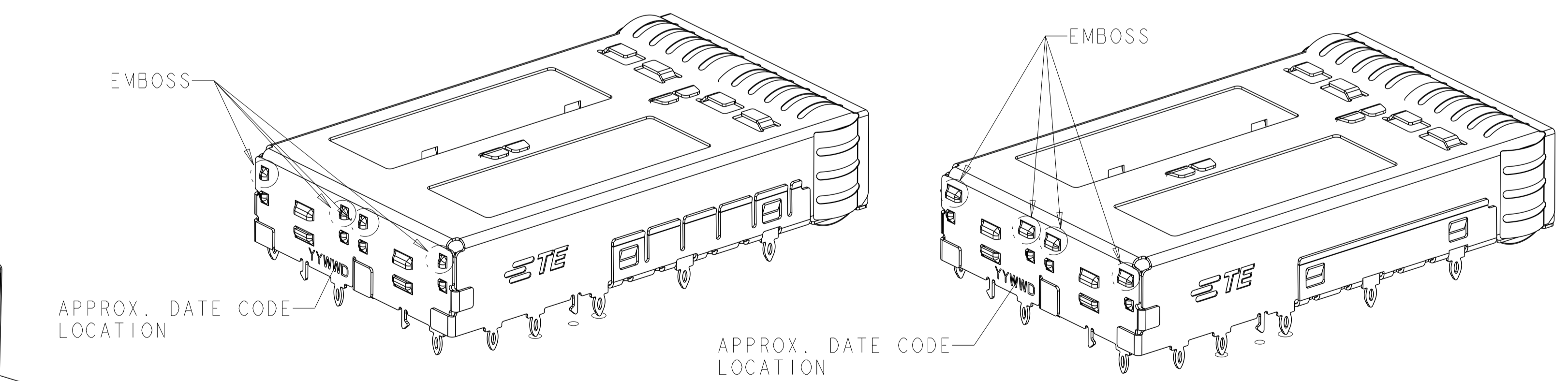
LOC	DIST	REVISIONS					
GP	00	P	LTN	DESCRIPTION	DATE	DWN	APVD
		A		RELEASED PER ECO-12-013192	09OCT2012	BMM	MRS
		A1		RELEASED PER ECO-14-005063	16DEC2013	JZ	SH
		A2		REVISED PER ECR-18-016039	19OCT2018	IT	SH
		A3		REVISED PER ECN-23-233023	27SEP2023	KH	SZ



2180739-1  
SCALE 5:1



2180739-1  
MOUNTED BELLY TO BELLY  
SCALE 5:1



- △ MATERIAL:  
CAGE ASSEMBLY: 0.25mm THICK NICKEL SILVER ALLOY  
EMI SPRINGS: COPPER ALLOY
- △ FINISH:  
SPRINGS: MINIMUM OF 0.8mm MATTE TIN PLATED OVER MINIMUM OF 0.8um NICKEL UNDERPLATE.  
NON-PLATED EDGES PERMISSIBLE.
- △ DATUM AND BASIC DIMENSIONS ESTABLISHED BY CUSTOMER.
- 4. MATES WITH SFP MSA COMPLIANT RECIEVERS.
- △ PADS AND VIAS CHASSIS GROUND.
- 6. INTERPRETATION OF DATUM REFERENCE FRAME IN ACCORDANCE WITH SECT 4.4.1.1 OR ASME Y14.5M-1994.
- △ MINIMUM PC BOARD THICKNESS:  
SINGLE SIDED: 1.5mm  
DOUBLE SIDED: 2.25mm
- △ HOLE PATTERN REPEATS FOR EACH PORT, SPACING BETWEEN PORTS IS 14.25mm.
- △ REFERENCE APPLICATION SPEC. 114-13120, HOLE A, FOR RECOMMENDED DRILL HOLE DIAMETER AND PLATING THICKNESS.
- △ REFERENCE APPLICATION SPEC. 114-13120, HOLE B, FOR RECOMMENDED DRILL HOLE DIAMETER AND PLATING THICKNESS.
- 11. CERTAIN MATING TRANCEIVERS MAY REQUIRE ADDITIONAL PCB THICKNESS THAT WOULD NEED TO BE DETERMINED BY THE CUSTOMER.
- △ PRODUCT COMPLIES WITH SPECIFICATION SFF-8433, IMPROVED PLUGGABLE FORM FACTOR FOR SFP+ GANGED CAGES.

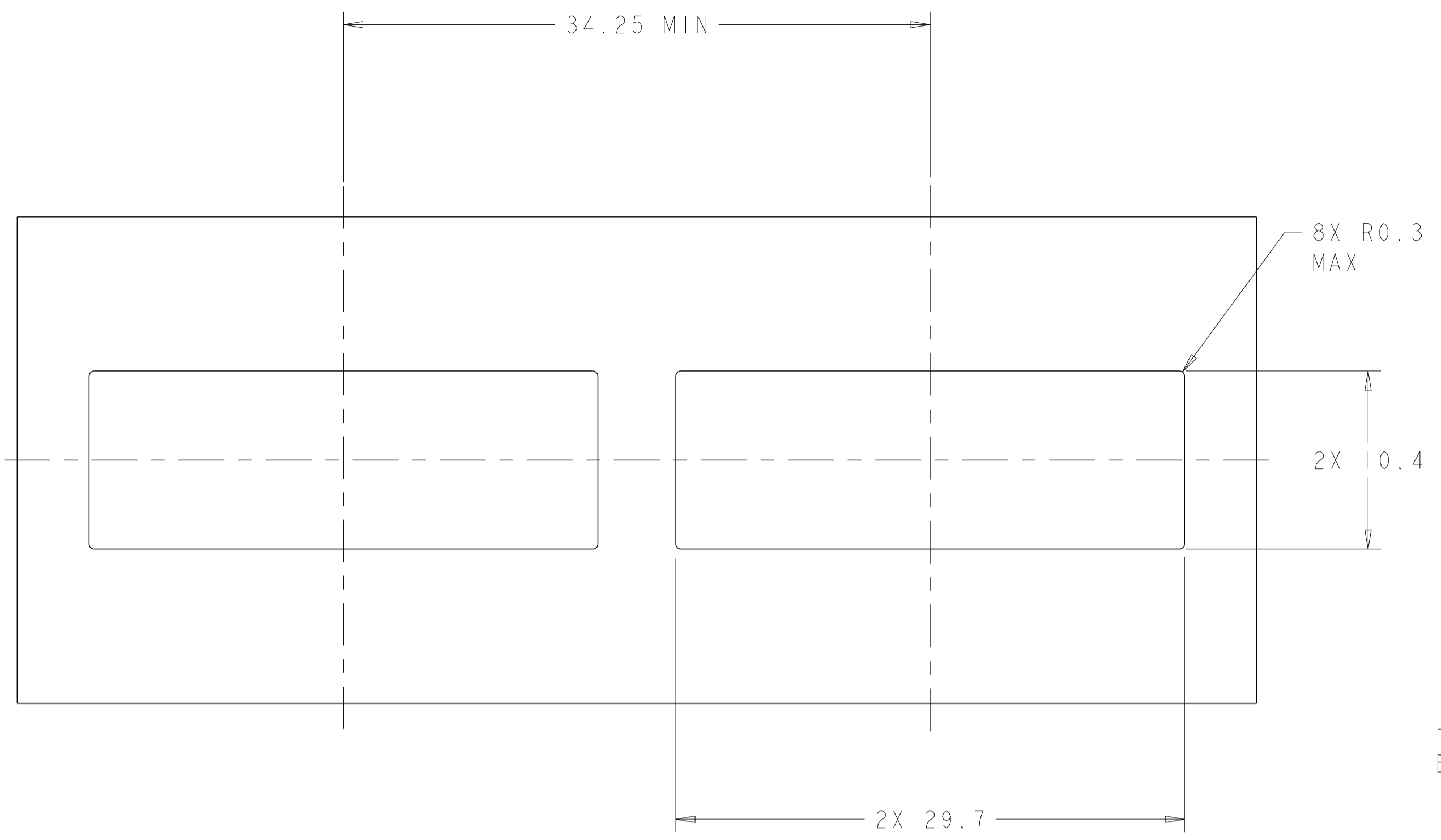
2180739-1

2180739-3  
SAME AS 2180739-1,  
EXCEPT FOUR EMBOSS AND SIDE TABS

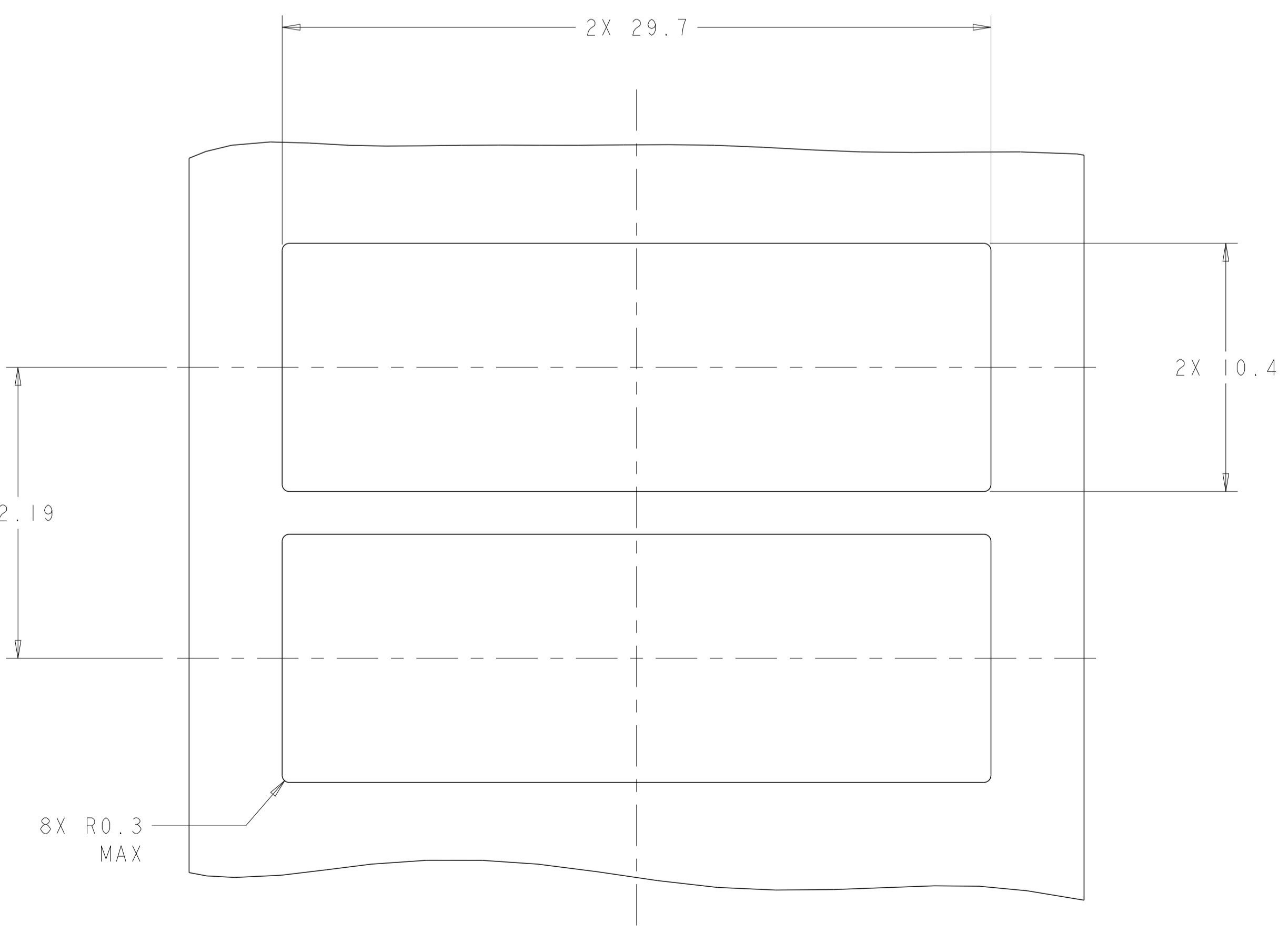
2180739-3
2180739-1
PART NUMBER

THIS DRAWING IS A CONTROLLED DOCUMENT.		DWN B. MATTHEWS 24MAY2011	TE Connectivity
DIMENSIONS:		CHK M. SCHMITT 24MAY2011	
TOLERANCES UNLESS OTHERWISE SPECIFIED:		APVD M. SCHMITT 24MAY2011	
0 PLC ±0.13 1 PLC ±0.1 2 PLC ±0.08 3 PLC ±0.05 4 PLC ±0.05 ANGLES ±0.1		NAME SFP+ ENHANCED 1X2 CAGE ASSEMBLY, PRESS-FIT, EMI SPRINGS PRODUCT SPEC 108-2364 APPLICATION SPEC 114-13120 SIZE CAGE CODE DRAWING NO RESTRICTED TO WEIGHT A100779C=2180739	
MATERIAL	FINISH	Customer Drawing	SCALE 6:1 SHEET 1 OF 4 REV A3

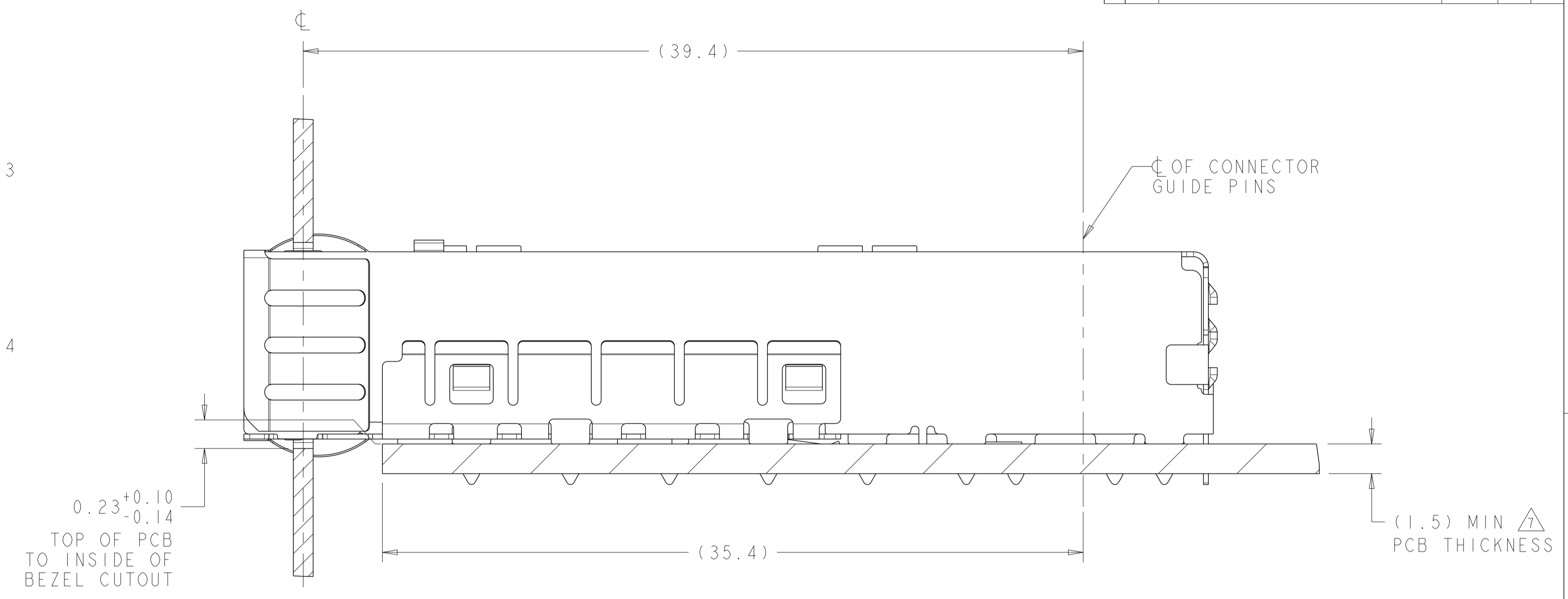
LOC		DIST		REVISIONS			
GP	00	P	LTN	DESCRIPTION	DATE	DMN	APVD
-	-	-	-	SEE SHEET 1	-	-	-



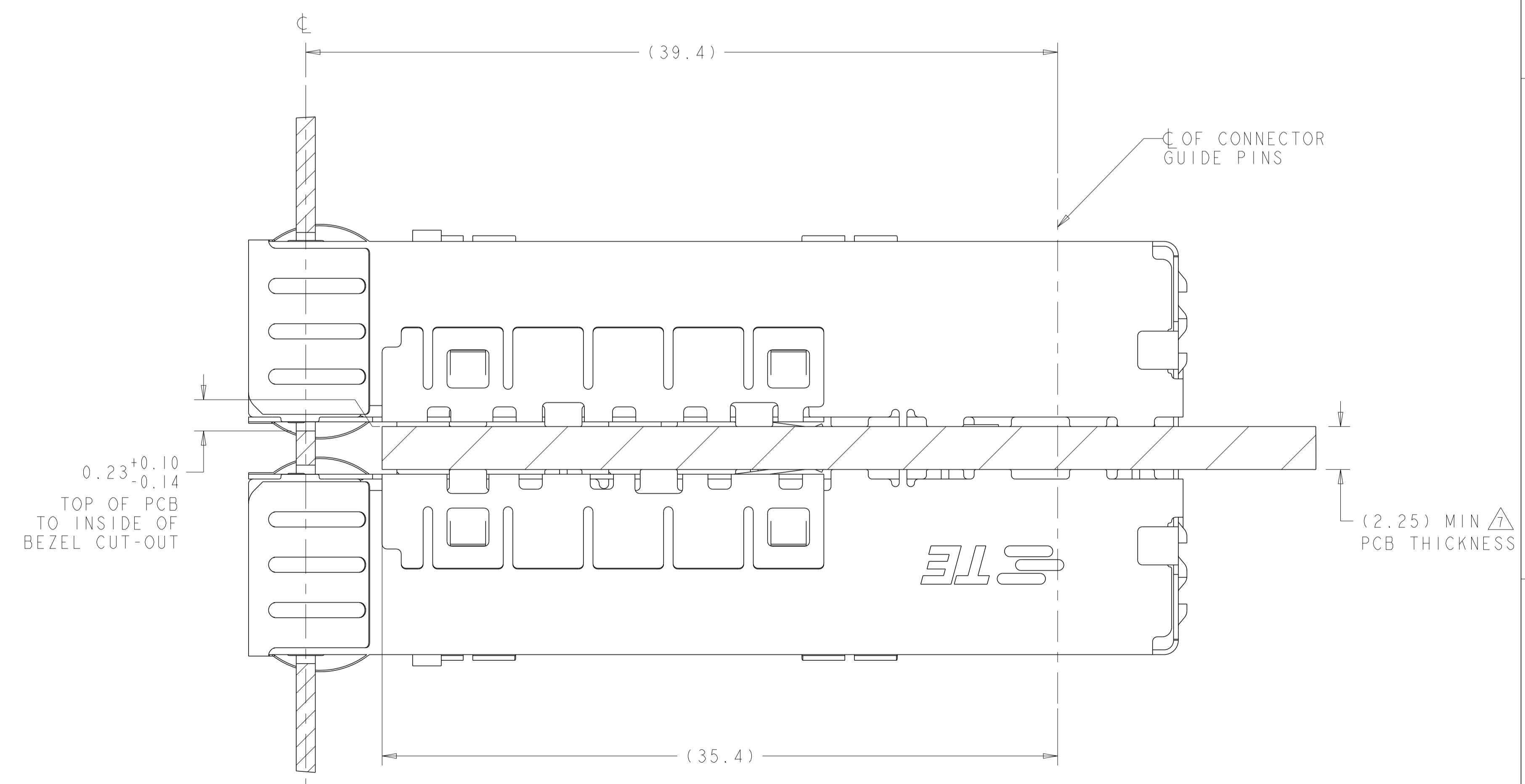
RECOMMENDED BEZEL CUT-OUT  
 SINGLE SIDED APPLICATIONS  
 SCALE 4:1



RECOMMENDED BEZEL CUT-OUT  
 BELLY TO BELLY APPLICATIONS



2180739-1  
 MOUNTED ON PC BOARD  
 SHOWN THRU RECOMMENDED BEZEL



2180739-1  
 MOUNTED BELLY TO BELLY ON PC BOARD  
 SHOWN THRU RECOMMENDED BEZEL

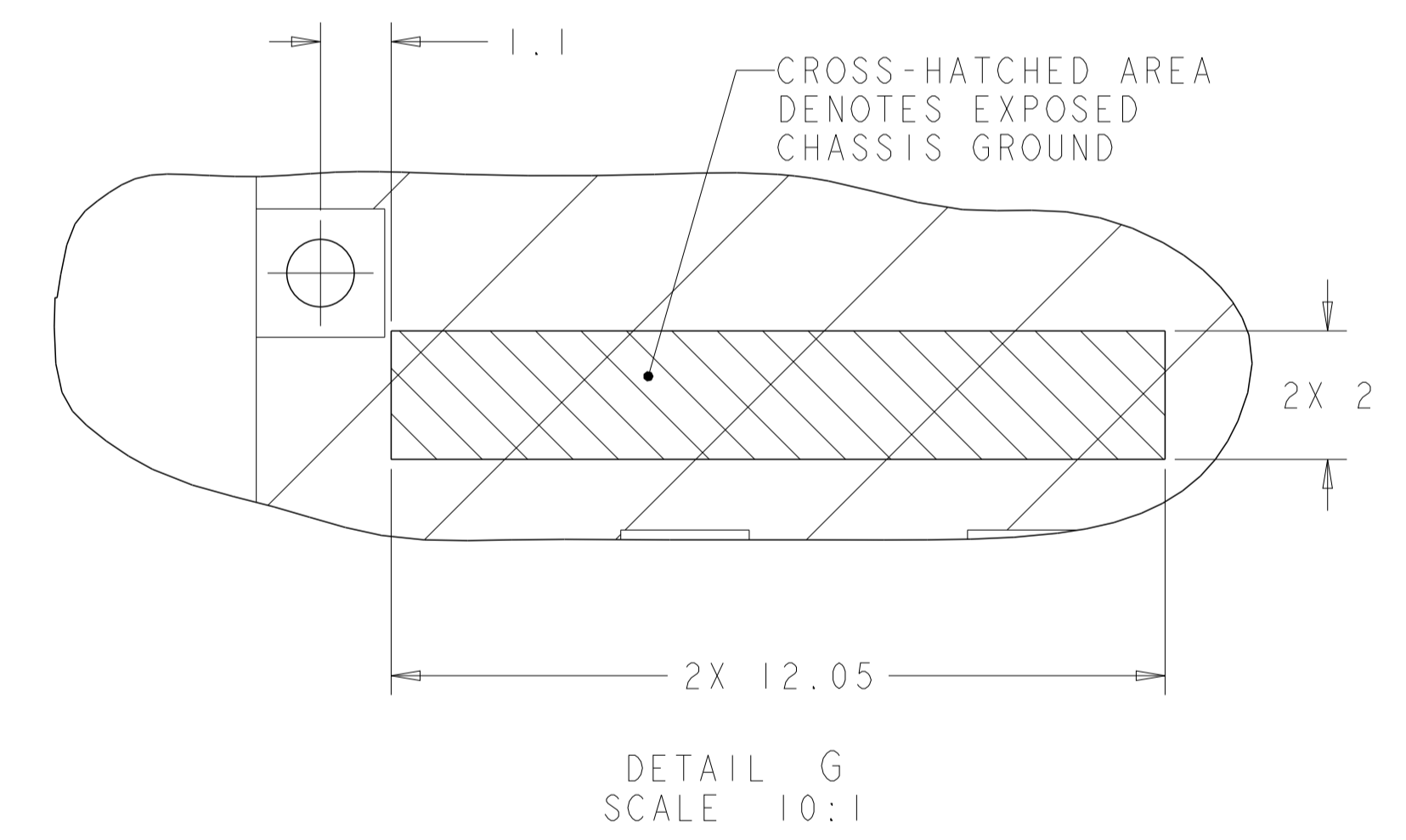
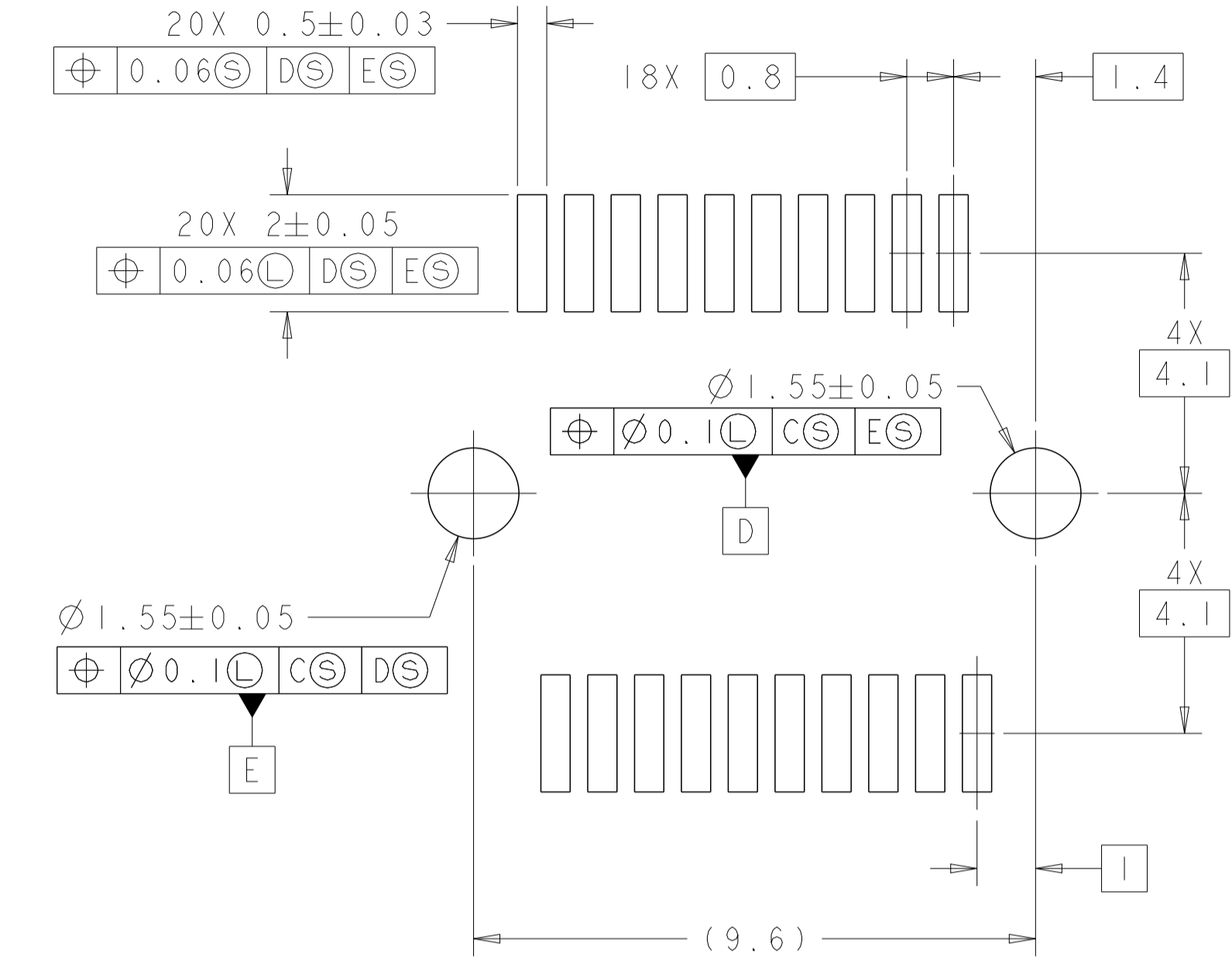
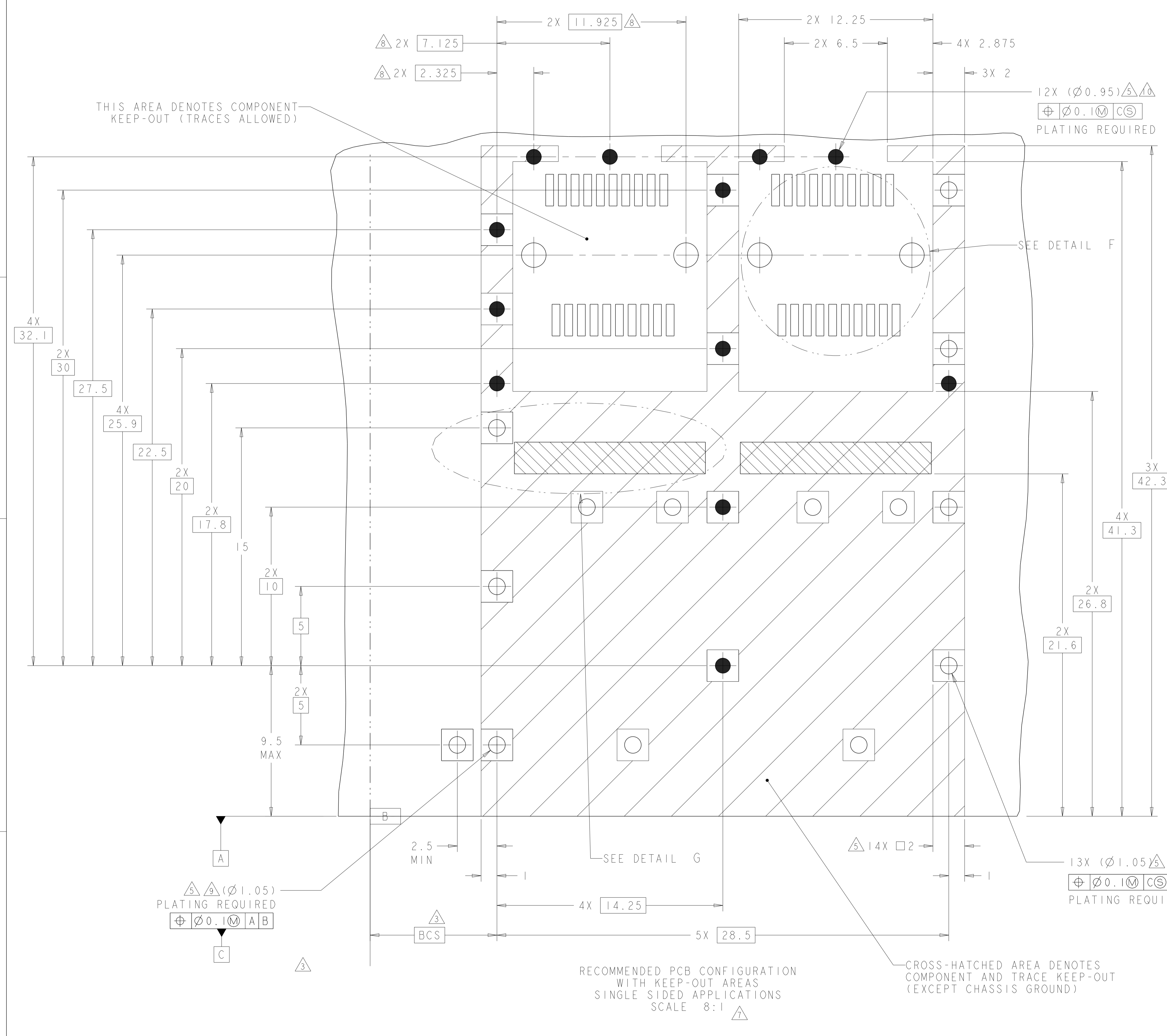
THIS DRAWING IS A CONTROLLED DOCUMENT.

DIMENSIONS:	TOLERANCES UNLESS OTHERWISE SPECIFIED:	DMN B. MATTHEWS 24MAY2011	CHK M. SCHMITT 24MAY2011	APVD M. SCHMITT 24MAY2011	NAME SFP+ ENHANCED 1X2 CAGE ASSEMBLY, PRESS-FIT, EMI SPRINGS
mm	0 PLC ±0.13 1 PLC ±0.1 2 PLC ±0.08 3 PLC ±0.05 4 PLC ±0.05	PRODUCT SPEC 108-2364	APPLICATION SPEC 114-13120	SIZE 114-13120	RESTRICTED TO
MATERIAL	FINISH	WEIGHT	Customer Drawing	SCALE 6:1	SHEET 2 OF 4

STE TE Connectivity

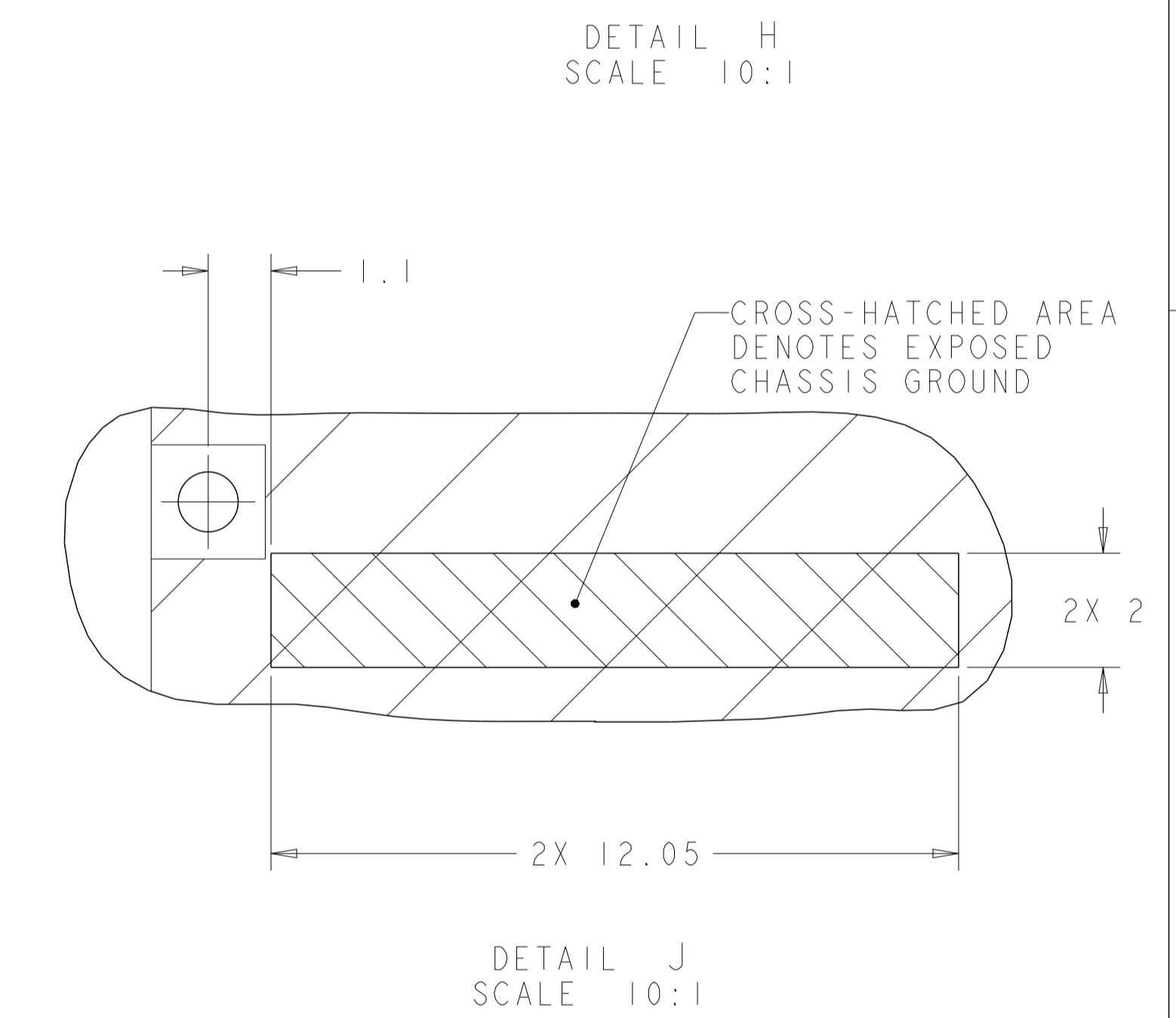
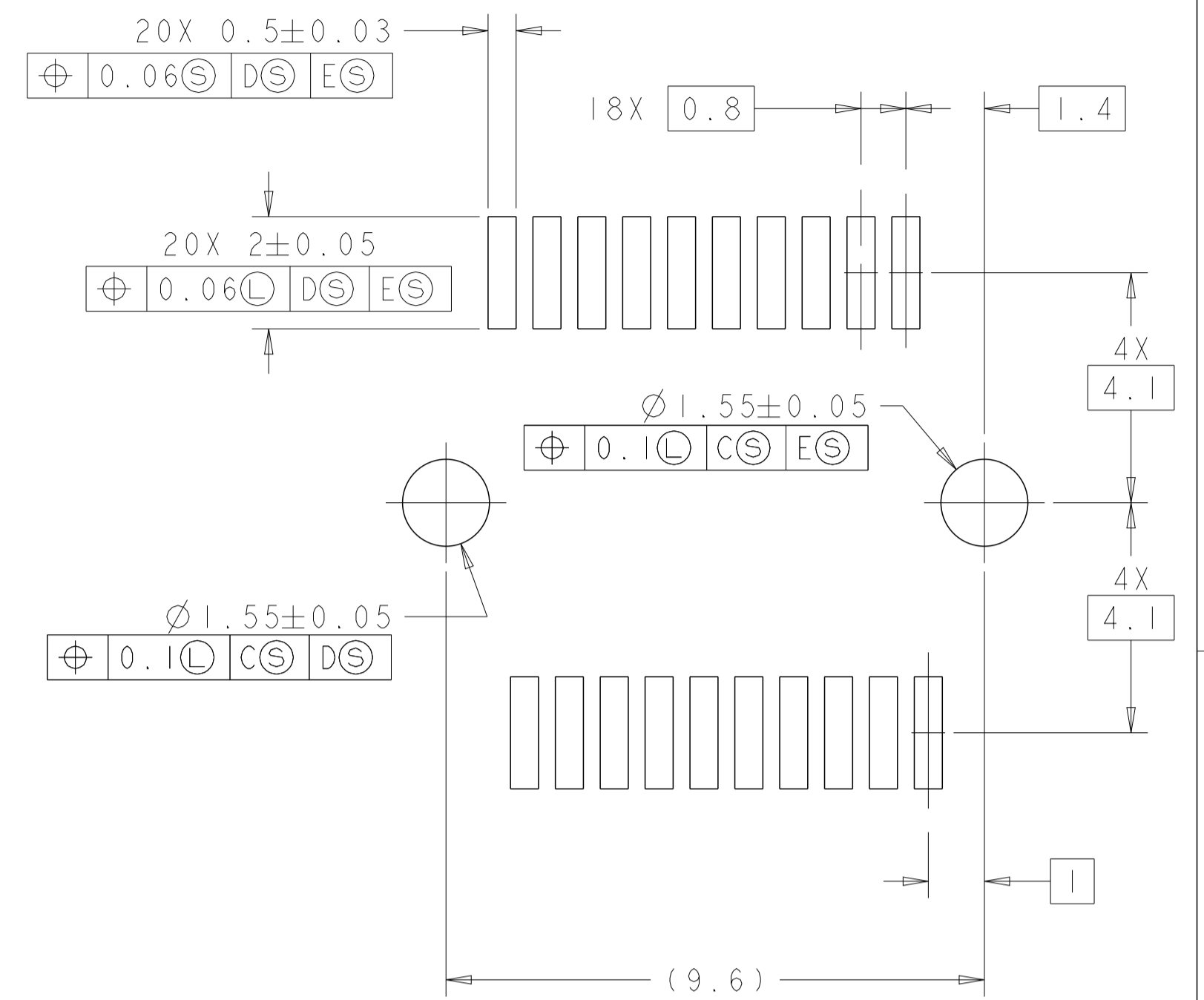
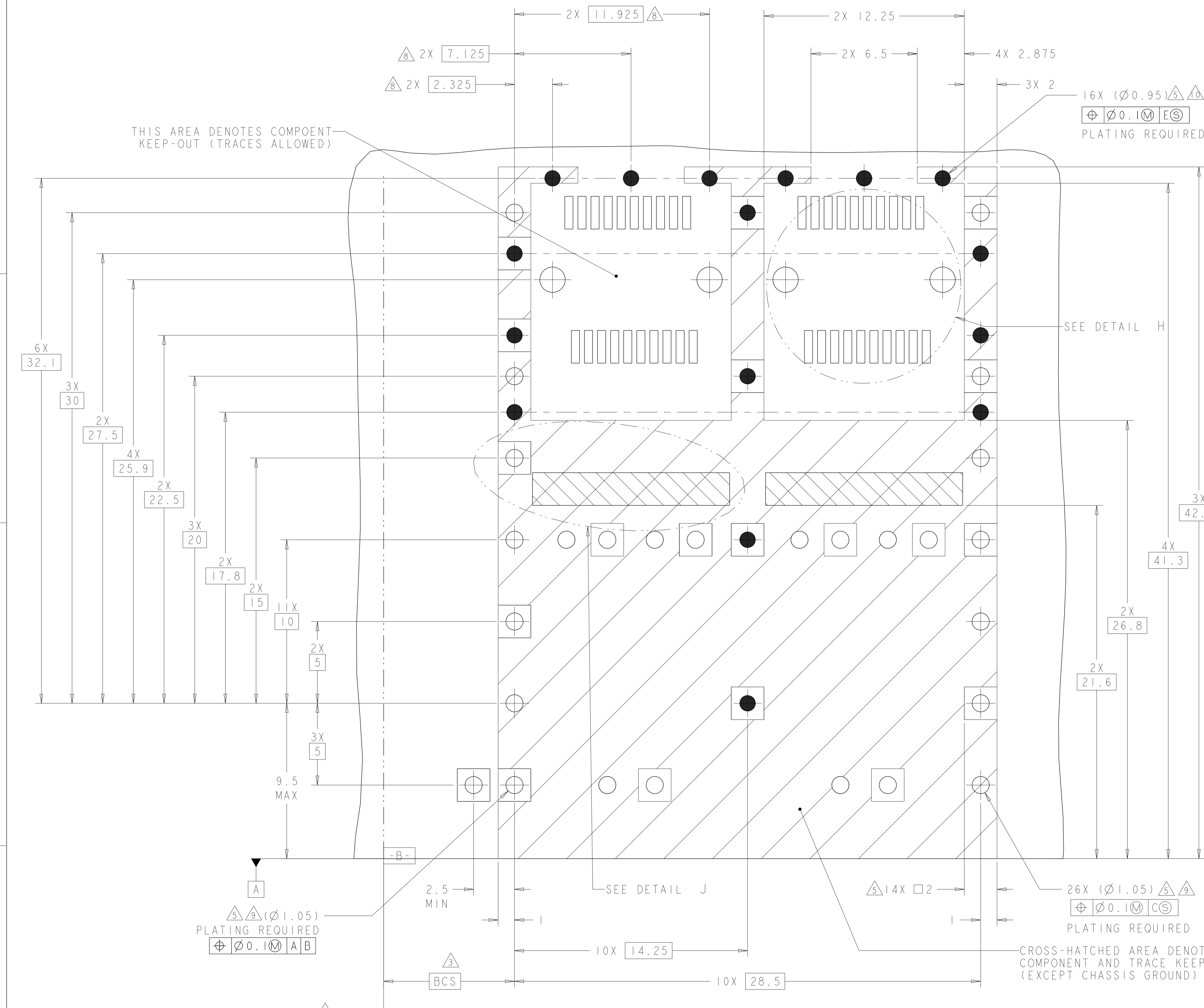
Customer Drawing

LOC	DIST	REV	DESCRIPTION	DATE	OWN	APVD
GP	00		SEE SHEET 1			



THIS DRAWING IS A CONTROLLED DOCUMENT.		OWN: B. MATTHEWS 24MAY2011	TE Connectivity NAME: SFP+ ENHANCED 1X2 CAGE ASSEMBLY, PRESS-FIT, EMI SPRINGS
DIMENSIONS: mm		CHK: M. SCHMITT 24MAY2011	
TOLERANCES UNLESS OTHERWISE SPECIFIED:		APVD: M. SCHMITT 24MAY2011	PRODUCT SPEC
0 PLC	±0.13	108-2364	APPLICATION SPEC
1 PLC	±0.1	114-13120	WEIGHT
2 PLC	±0.08		SCALE 6:1 SHEET 3 OF 4 REV A3
3 PLC	±0.05		
4 PLC	±0.05		
ANGLES	±0.5		
MATERIAL	FINISH		

LOC	DIST	REVISIONS					
GP	00	P	LTN	DESCRIPTION	DATE	DMN	APVD
		-	-	SEE SHEET 1	-	-	-



THIS AREA DENOTES COMPONENT KEEP-OUT (TRACES ALLOWED)

SEE DETAIL H

SEE DETAIL J

CROSS-HATCHED AREA DENOTES COMPONENT AND TRACE KEEP-OUT (EXCEPT CHASSIS GROUND)

RECOMMENDED PCB CONFIGURATION WITH KEEP-OUT AREAS BELLY TO BELLY APPLICATIONS SCALE 8:1

THIS DRAWING IS A CONTROLLED DOCUMENT.		DMN: B. MATTHEWS 24MAY2011	TE Connectivity
DIMENSIONS: mm		CHK: M. SCHMITT 24MAY2011	
TOLERANCES UNLESS OTHERWISE SPECIFIED:		APVD: M. SCHMITT 24MAY2011	NAME: SFP+ ENHANCED 1X2 CAGE ASSEMBLY, PRESS-FIT, EMI SPRINGS PRODUCT SPEC: 108-2364 APPLICATION SPEC: 114-13120 WEIGHT: - SCALE: 6:1 SHEET 4 OF 4 REV: A3
0 PLC ±0.13		PRODUCT SPEC: 108-2364	
1 PLC ±0.1		APPLICATION SPEC: 114-13120	
2 PLC ±0.08		WEIGHT: -	
3 PLC ±0.05		SIZE: CAGE CODE DRAWING NO: A100779C=2180739	RESTRICTED TO: -
4 PLC ±0.05		Customer Drawing	SCALE: 6:1 SHEET 4 OF 4 REV: A3
ANGLES ±1			
FINISH			