

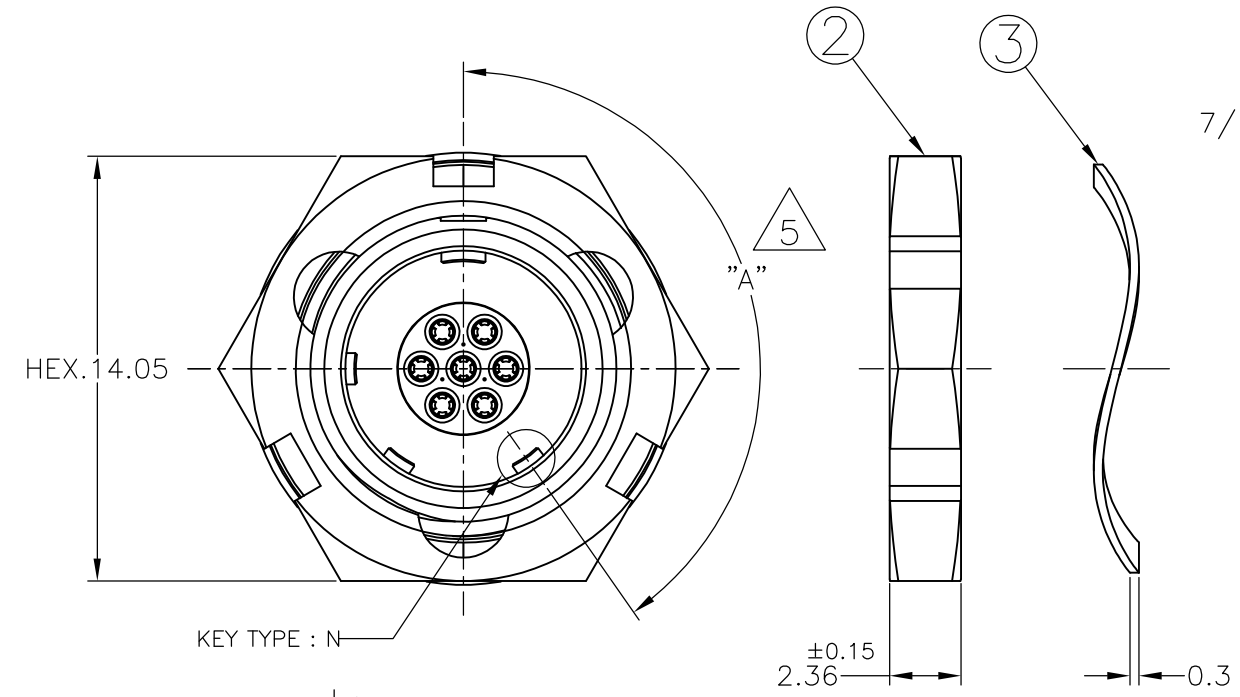
THIS DRAWING IS UNPUBLISHED. RELEASED FOR PUBLICATION FEB. 2012.
 © COPYRIGHT 2012 By Tyco Electronics Japan G.K. ALL RIGHTS RESERVED.

LOC	DIST	P	LTR	DESCRIPTION	DATE	DWN	APVD
-	-		A3	REVISED	17MAY2015	T.K	C.O

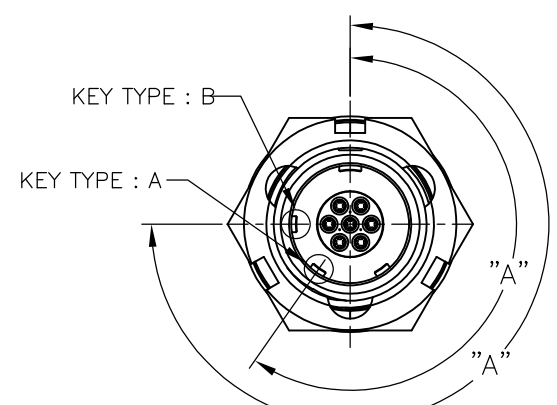
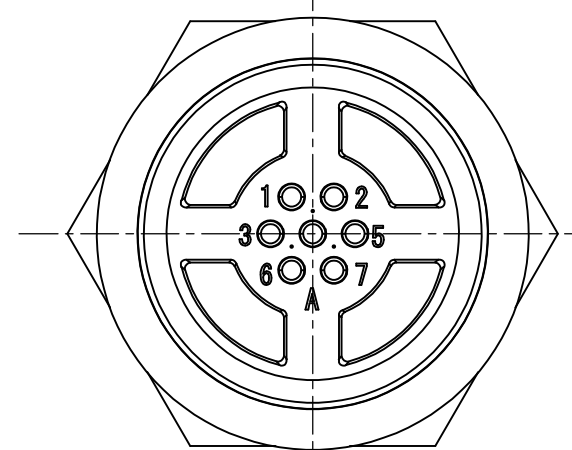
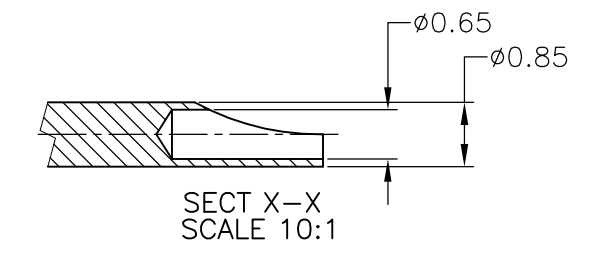
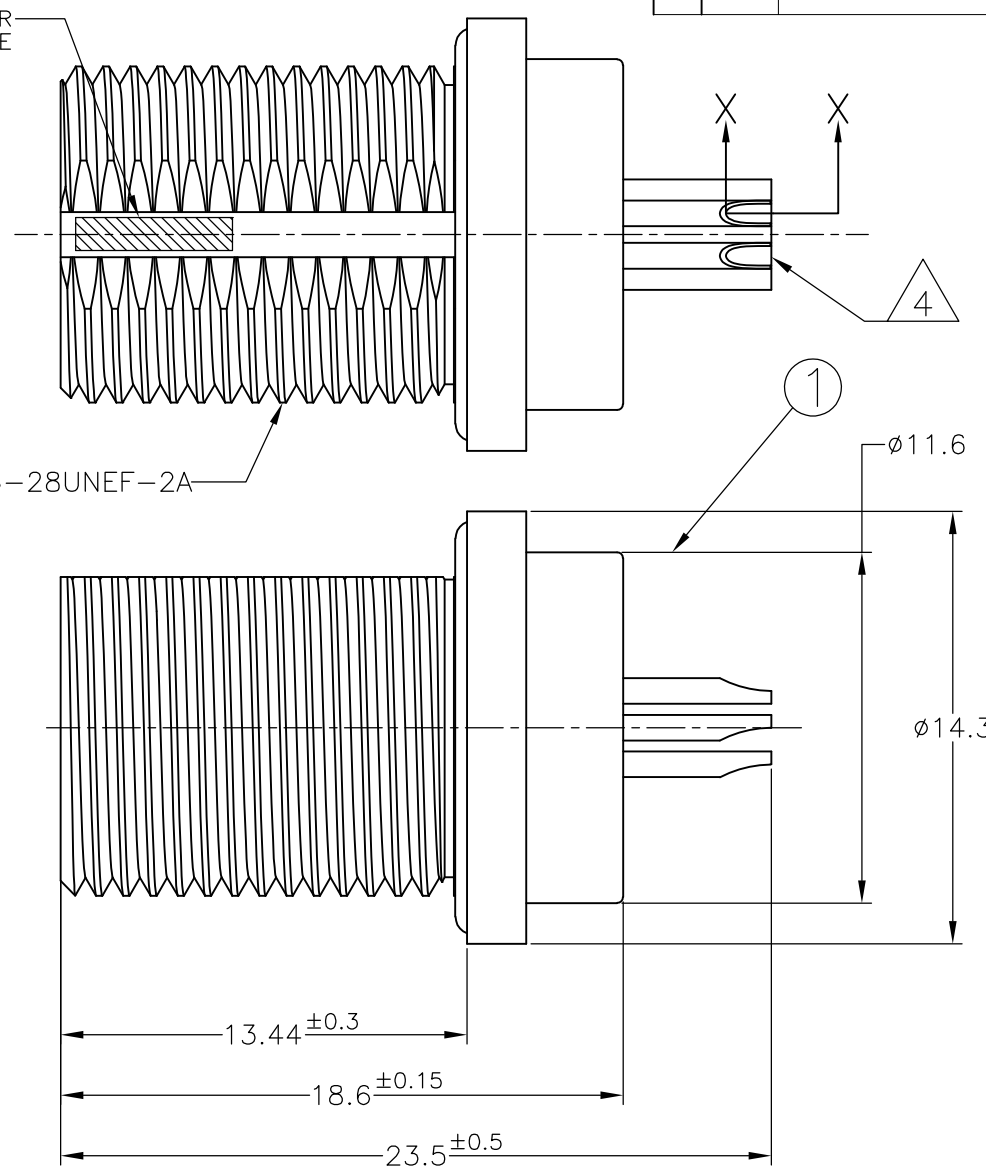
本図：2174224-1
 AS SHOWN:2174224-1

- ① MATERIAL: BRASS
- ② FINISH : BLACK Sn-Ni, OVER Ni (9 ~ 10um)
- ③ FINISH : Ni PLATING (3 ~ 6um)
- ④ FINISH : Au PLATING (1.0um), Ni PLATING (2um MIN.)
- ⑤ KEY OPTION : TYPE N IS NORMAL POSITION.
 OPTION KEY IS TYPE A(-2) AND TYPE B(-3).

ALIGNMENT INDICATOR
 COLOR : WHITE



7/16-28UNEF-2A

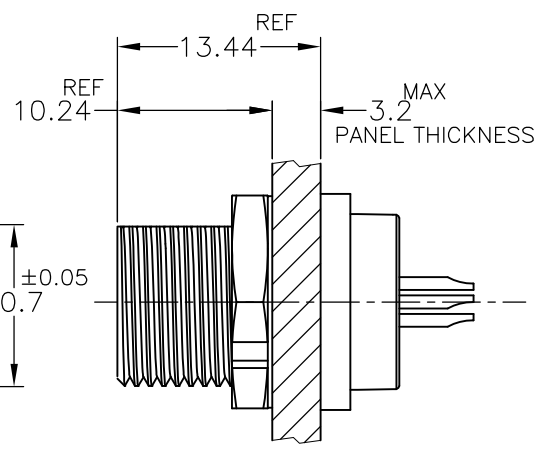
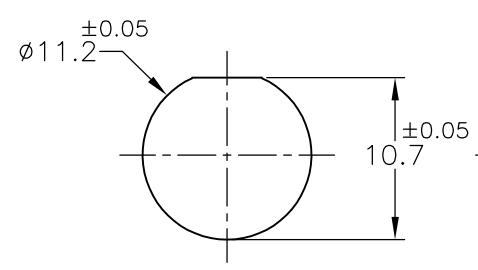


③ KEY POSITION

270°	TYPE B	2174224-3
215°	TYPE A	2174224-2
145°	TYPE N	2174224-1
DIM "A"	KEY TYPE	PART NUMBER

-3	-2	-1	PART NUMBER	ITEM
1	1	1	②	HEX. NUT
1	1	1	③	WAVE SPRING WASHER
1			④	CONNECTOR ASSEMBLY KEY-B
	1		⑤	CONNECTOR ASSEMBLY KEY-A
		1	⑥	CONNECTOR ASSEMBLY KEY-N
QTY			FINISH	ITEM

⑤ KEY POSITION OPTION
 SCALE 2:1



PANEL MOUNT REFERENCE DIMENSION
 SCALE 2:1

THIS DRAWING IS A CONTROLLED DOCUMENT.

DIMENSIONS:	TOLERANCES UNLESS OTHERWISE SPECIFIED:
mm	±0.1
①-PLC	±
②-PLC	±
③-PLC	±
④-PLC	±
ANGLES	±5°
MATERIAL	FINISH
①	-

DWN	T.SUGIYAMA	19FEB2012
CHK	T.TONOBÉ	07MAY2012
APVD	T.SUGIYAMA	07MAY2012
PRODUCT SPEC	108-78938	
APPLICATION SPEC	114-5503	
WEIGHT	11.000g	
CUSTOMER DRAWING		



NMSMC 7P THREAD RECE
 PIN SOCKET / SOLDER CUP
 CONNECTOR KIT

SIZE	CAGE CODE	DRAWING NO	RESTRICTED TO
A3	00779	C=2174224	-
SCALE	4:1	SHEET	1 OF 1
REV	A3		