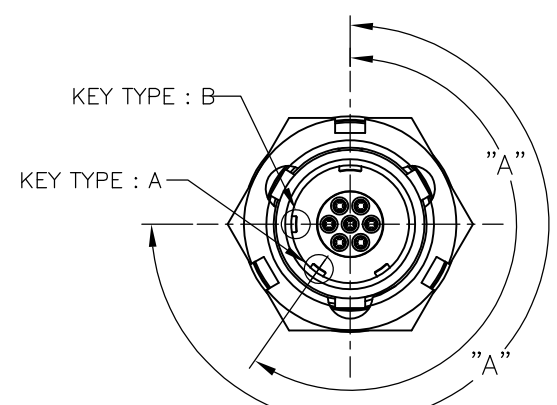
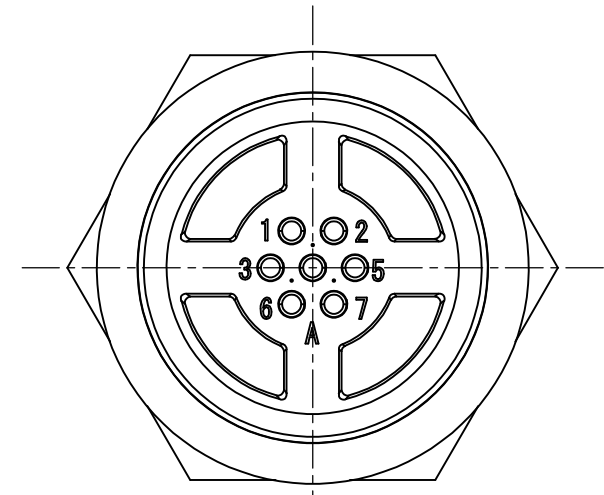
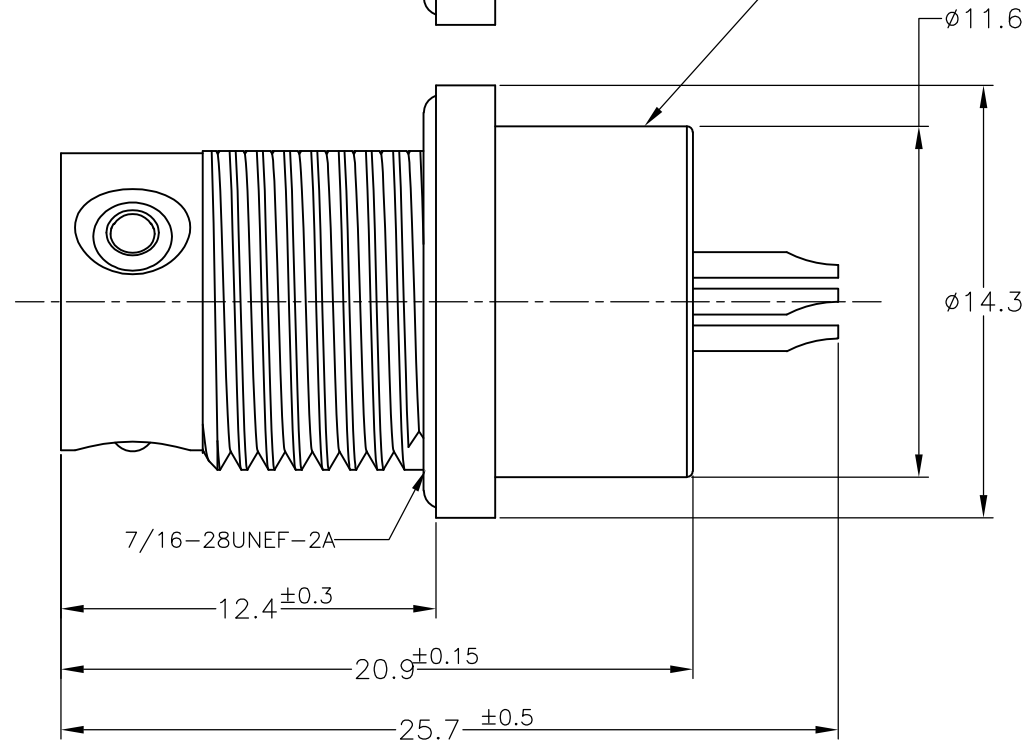
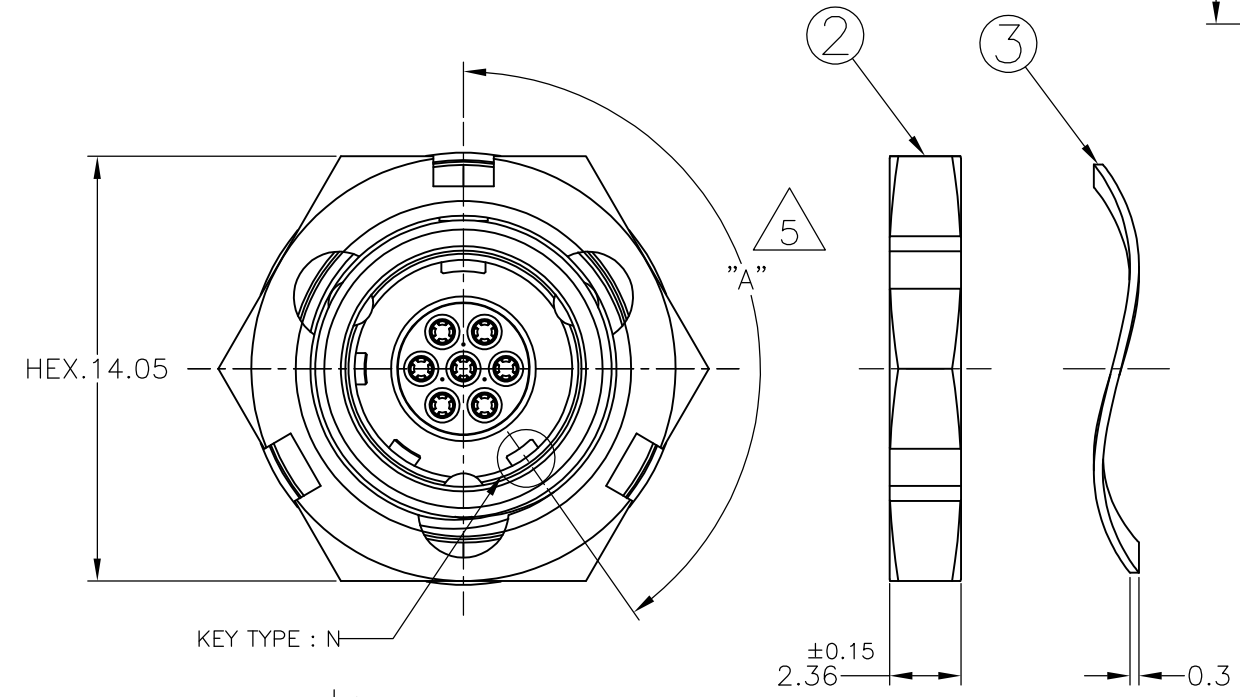
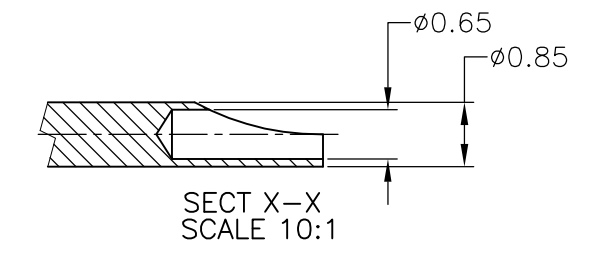
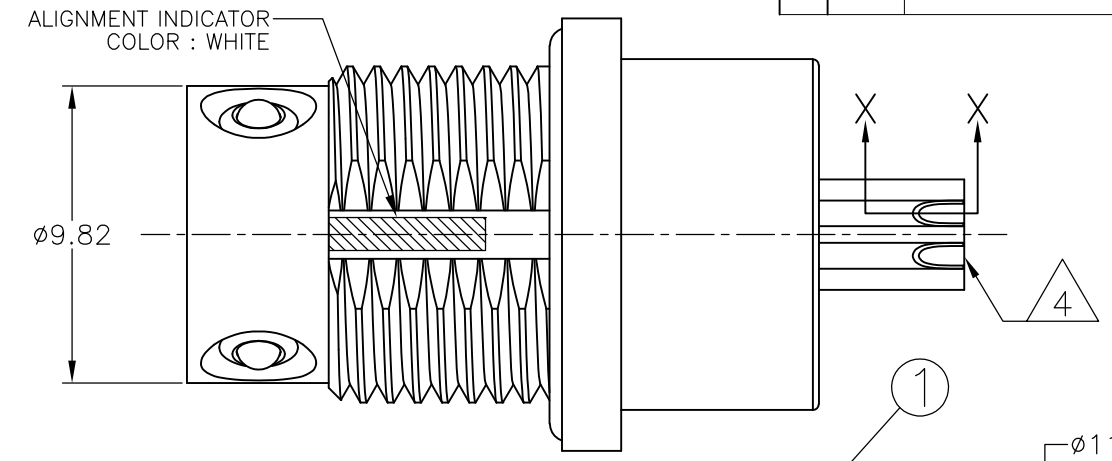


本図：2174222-1
AS SHOWN:2174222-1

P	LTR	DESCRIPTION	DATE	DWN	APVD
	A3	REVISED	24JUL2015	T.K	C.O

- ① MATERIAL: BRASS
- ② FINISH : BLACK Sn-Ni, OVER Ni (9 ~ 10um)
- ③ FINISH : Ni PLATING (3 ~ 6um)
- ④ FINISH : Au PLATING (1.0um), Ni PLATING (2um MIN.)
- ⑤ KEY OPTION : TYPE N IS NORMAL POSITION.
OPTION KEY IS TYPE A(-2) AND TYPE B(-3).

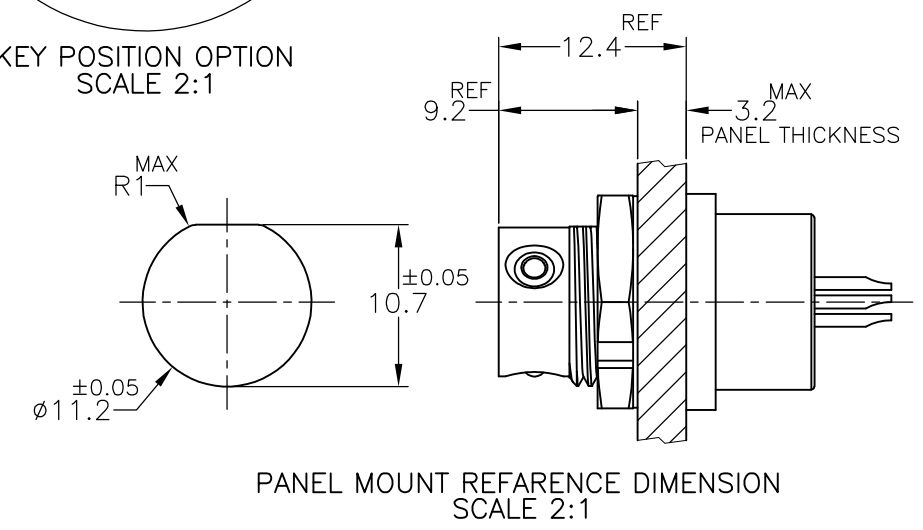


③ KEY POSITION

270°	TYPE B	2174222-3
215°	TYPE A	2174222-2
145°	TYPE N	2174222-1
DIM "A"	KEY TYPE	PART NUMBER

-3	-2	-1	PART NUMBER	ITEM
1	1	1	②	HEX. NUT
1	1	1	③	WAVE SPRING WASHER
1			④	CONNECTOR ASSEMBLY KEY-B
	1		⑤	CONNECTOR ASSEMBLY KEY-A
		1		CONNECTOR ASSEMBLY KEY-N
QTY			FINISH	ITEM

⑤ KEY POSITION OPTION SCALE 2:1



THIS DRAWING IS A CONTROLLED DOCUMENT.

DWN	T.SUGIYAMA	19FEB2012	TE Connectivity
CHK	T.TONOBE	07MAY2012	
APVD	T.SUGIYAMA	07MAY2012	
PRODUCT SPEC	108-78938		
APPLICATION SPEC	114-5503		NAME
MATERIAL	①	-	NMSMC 7P PUSH-PULL RECE PIN SOCKET / SOLDER CUP CONNECTOR KIT
WEIGHT			10.795g
CUSTOMER DRAWING			SIZE CAGE CODE DRAWING NO RESTRICTED TO
			A3 00779 C-2174222
			SCALE 4:1 SHEET 1 OF 1 REV A3