

THIS DRAWING IS UNPUBLISHED. RELEASED FOR PUBLICATION FEB. 2012.  
 © COPYRIGHT 2012 By Tyco Electronics Japan G.K. ALL RIGHTS RESERVED.

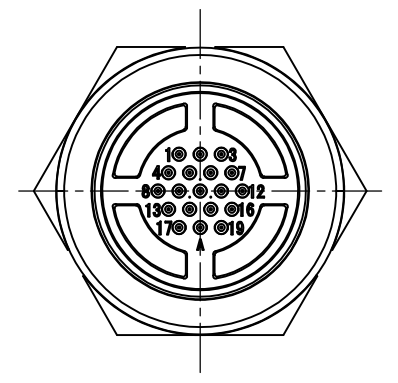
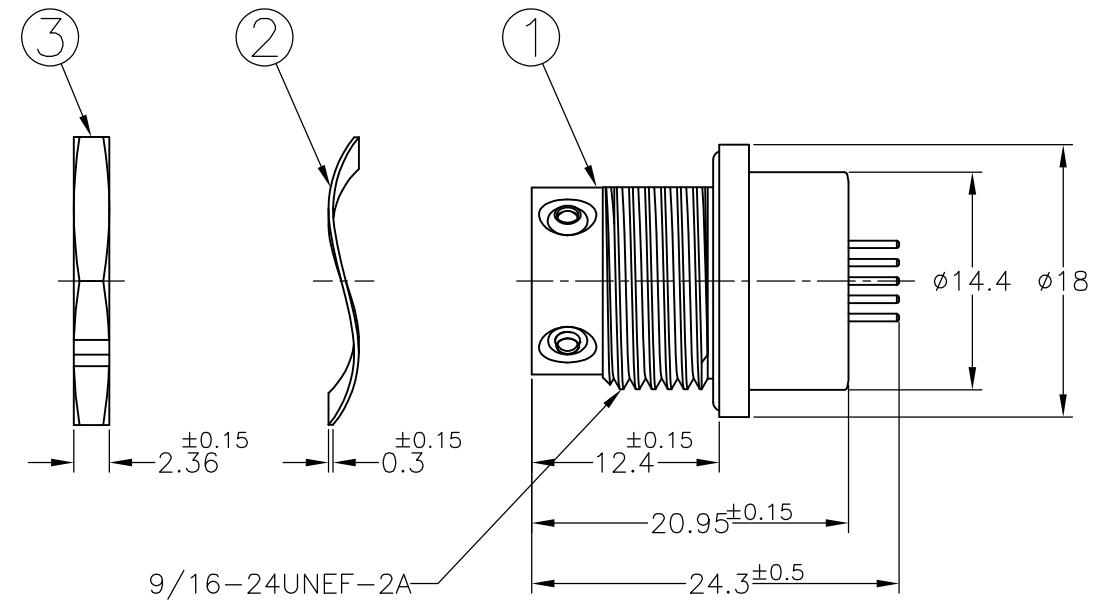
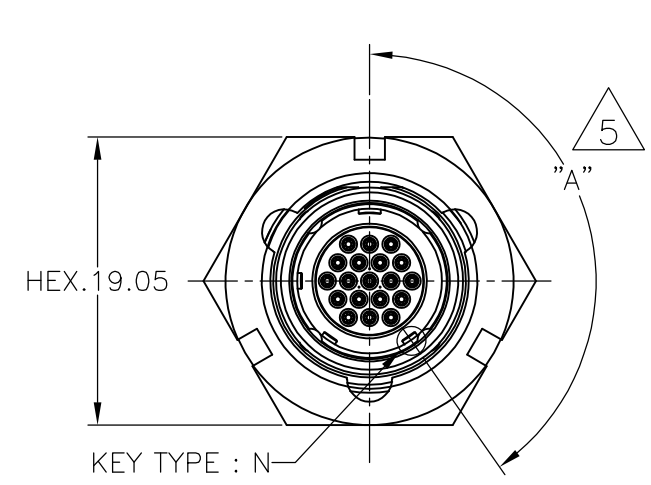
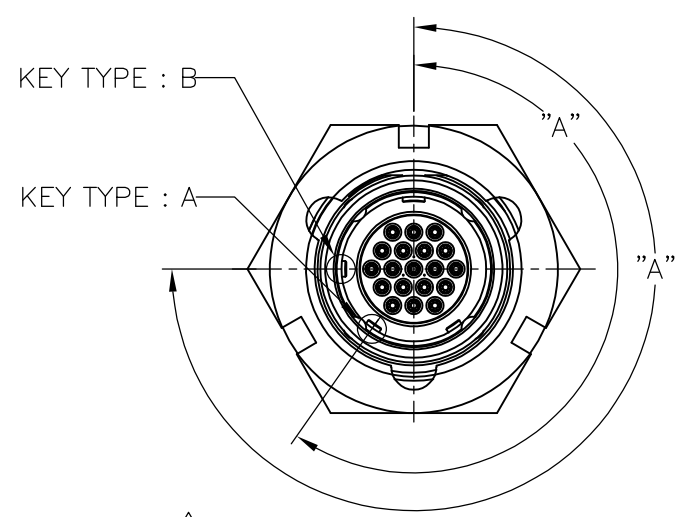
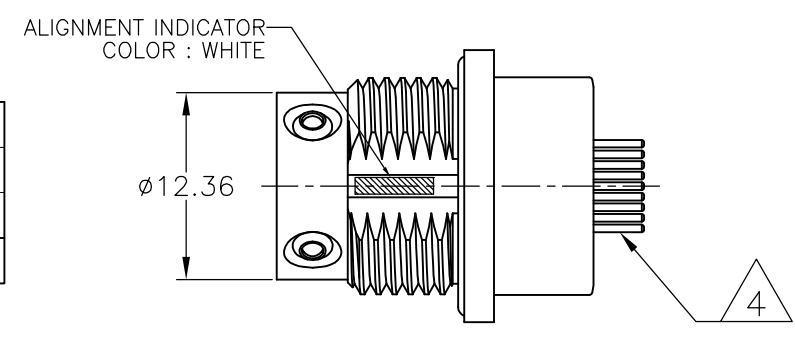
LOC	DIST	REVISIONS					
		P	LTR	DESCRIPTION	DATE	DWN	APVD
—	—		A4	REVISED	24JUL2015	T.K	C.O

本図：2174216-1  
 AS SHOWN:2174216-1

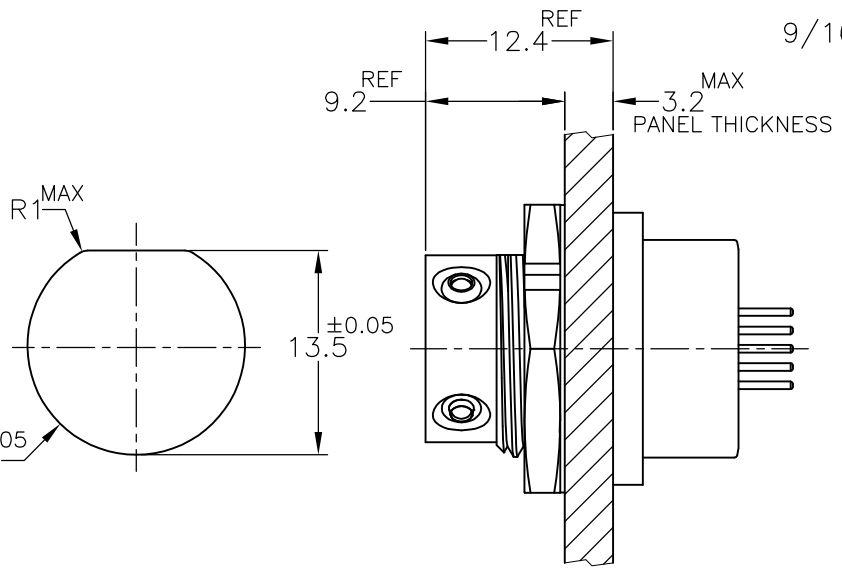
- ① MATERIAL: BRASS
- ② FINISH : BLACK Sn-Ni, OVER Ni (9 ~ 10um)
- ③ FINISH : Ni PLATING (3 ~ 6um)
- ④ FINISH : Au PLATING (1.0um), Ni PLATING (2um MIN.)
- ⑤ KEY OPTION : TYPE N IS NORMAL POSITION.  
 OPTION KEY IS TYPE A(-2) AND TYPE B(-3).

⑤ KEY POSITION

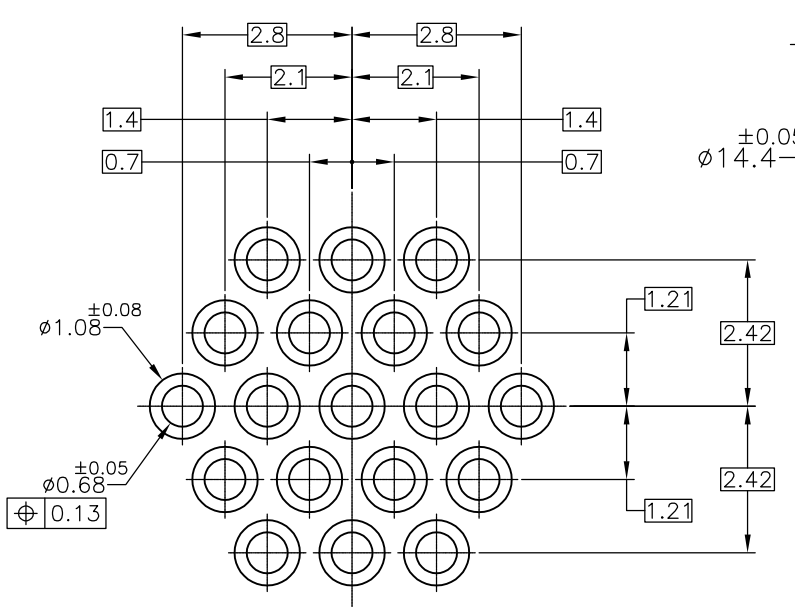
270°	TYPE B	2174216-3
215°	TYPE A	2174216-2
145°	TYPE N	2174216-1
DIM "A"	KEY TYPE	PART NUMBER



⑤ KEY POSITION OPTION



PANEL MOUNT REFERENCE DIMENSION



PCB LAYOUT SCALE 10:1

-3	-2	-1	PART NUMBER	ITEM
1	1	1	② HEX. NUT	③
1	1	1	③ WAVE SPRING WASHER	②
1			② CONNECTOR ASSEMBLY KEY-B	①
	1		② CONNECTOR ASSEMBLY KEY-A	
		1	② CONNECTOR ASSEMBLY KEY-N	
QTY			FINISH	ITEM

THIS DRAWING IS A CONTROLLED DOCUMENT.

DIMENSIONS: mm	TOLERANCES UNLESS OTHERWISE SPECIFIED: ±0.1	DWN T.SUGIYAMA 19FEB2012	<b>STE</b> TE Connectivity
0-PLC ±	1-PLC ±	CHK T.TONOBE 07MAY2012	
2-PLC ±	3-PLC ±	APVD T.SUGIYAMA 07MAY2012	NAME
4-PLC ±	ANGLES ±5°	PRODUCT SPEC	NMSMC 19P PUSH-PULL RECE
MATERIAL ①	FINISH -	APPLICATION SPEC	PIN SOCKET / SOLDER TAIL
		WEIGHT 17.506g	CONNECTOR KIT
		CUSTOMER DRAWING	RESTRICTED TO

SIZE A3 CAGE CODE 00779 DRAWING NO C-2174216 SCALE 2:1 SHEET 1 OF 1 REV A4