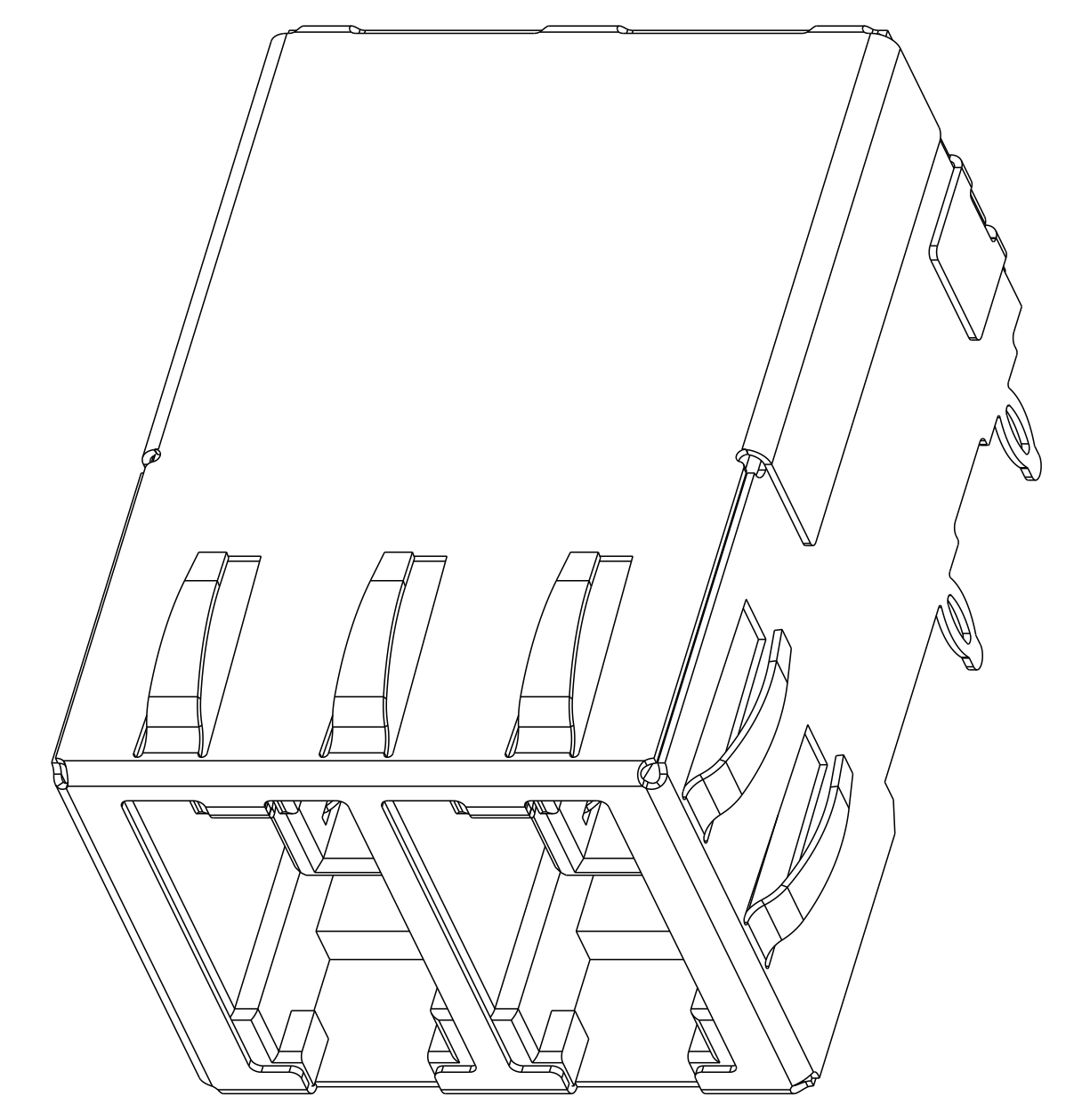
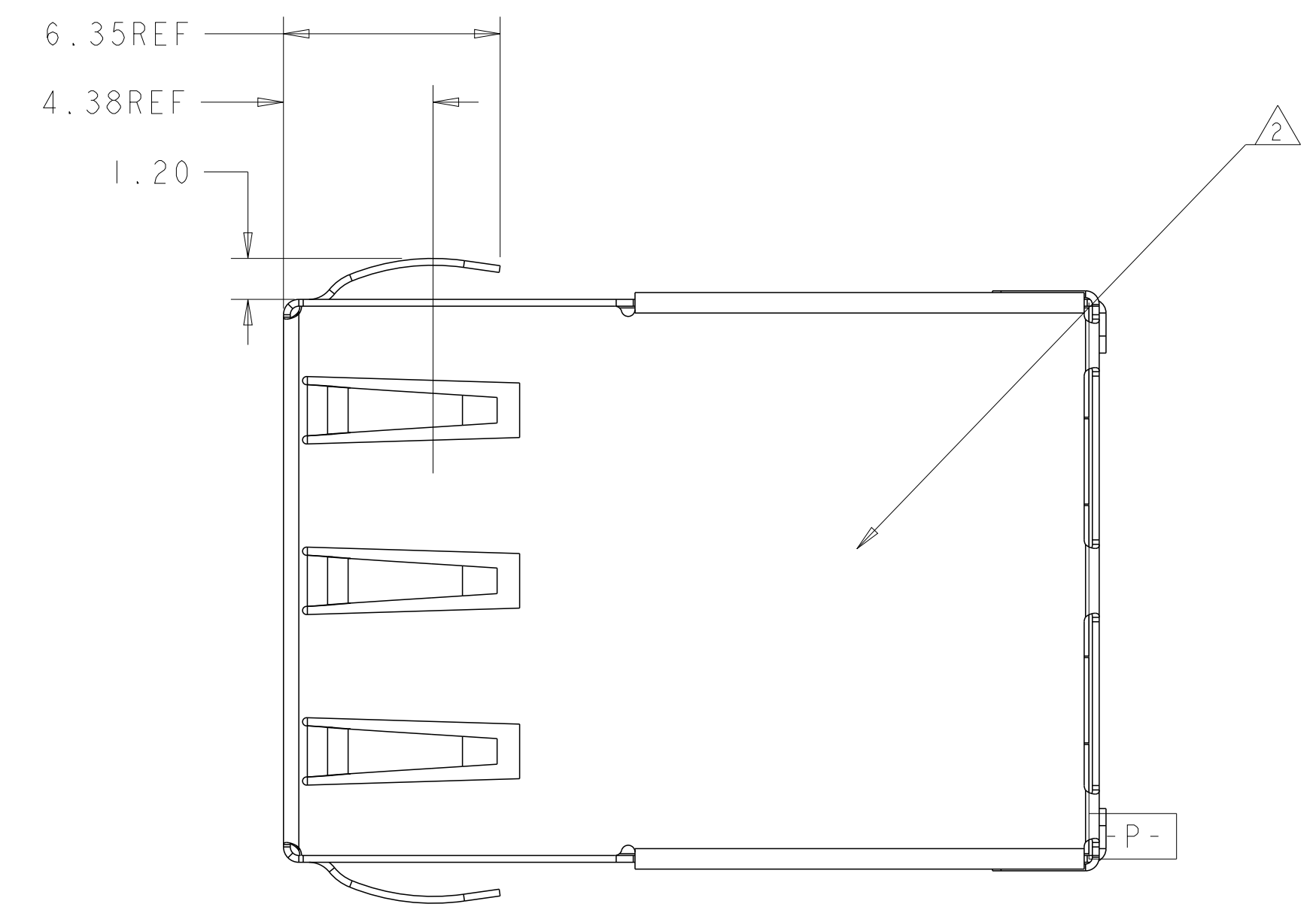
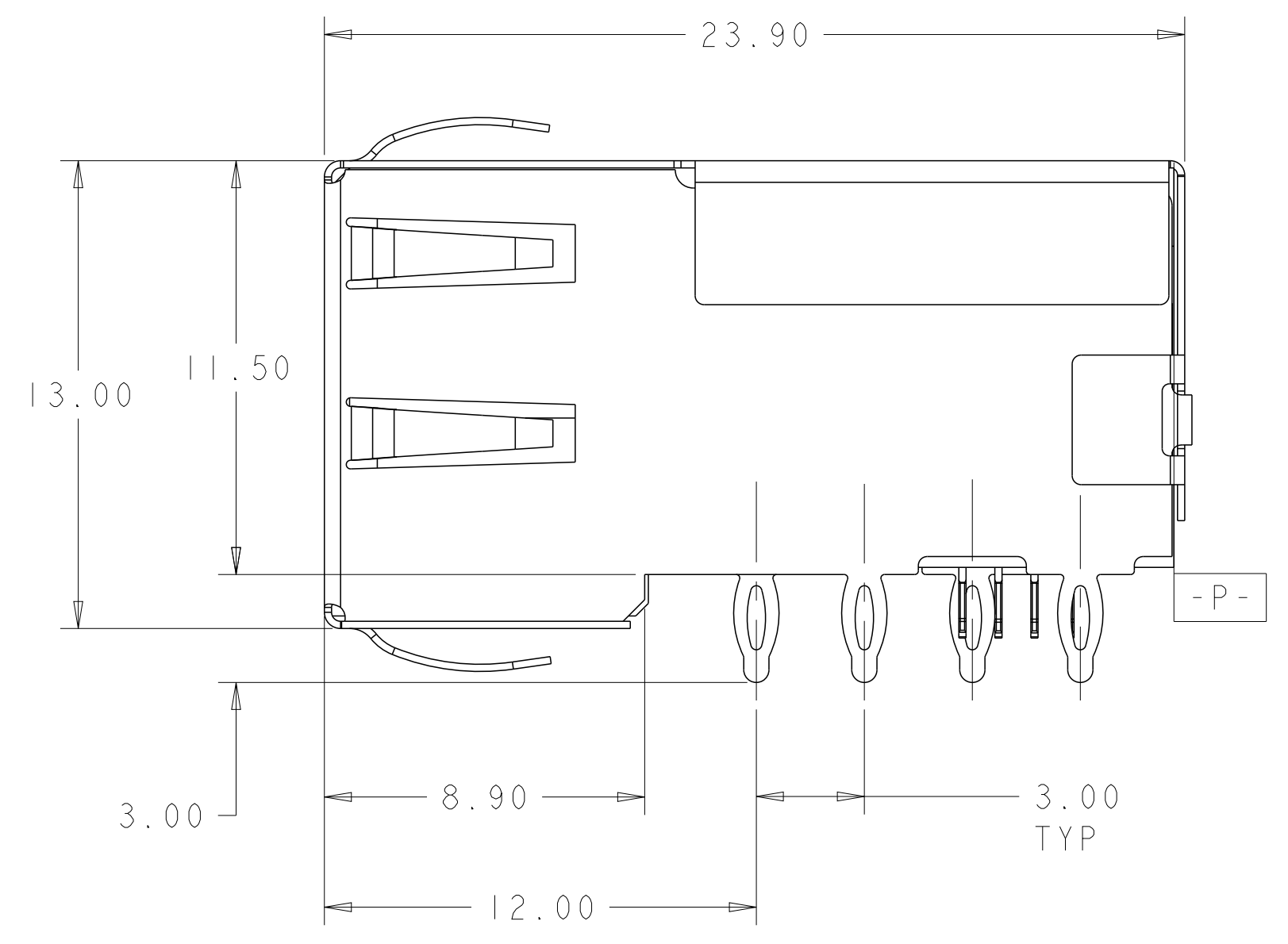
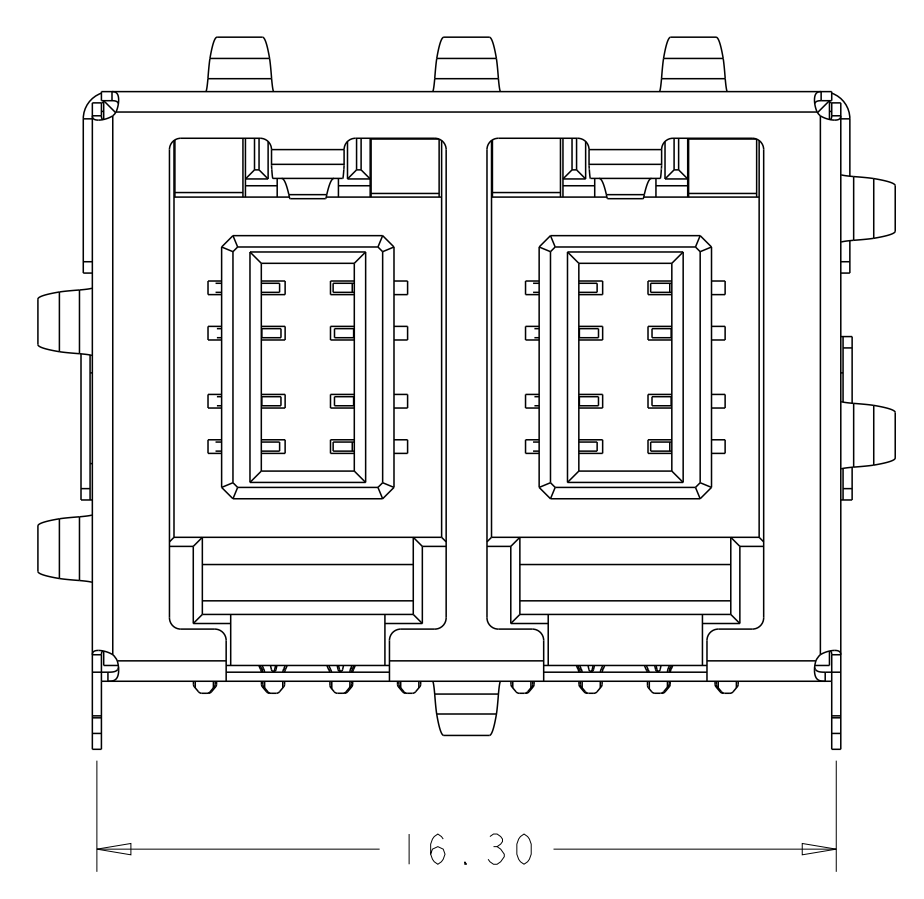


LOC	DIST	REVISIONS			
P	LTN	DESCRIPTION	DATE	DWN	APVD
A		ECR-11-018212	26MAR2012	DZ	AC
B			18JUN2013	CW	SH
B1		REVISED AS PER ECR-23-223944	27JUL2023	JK	WH

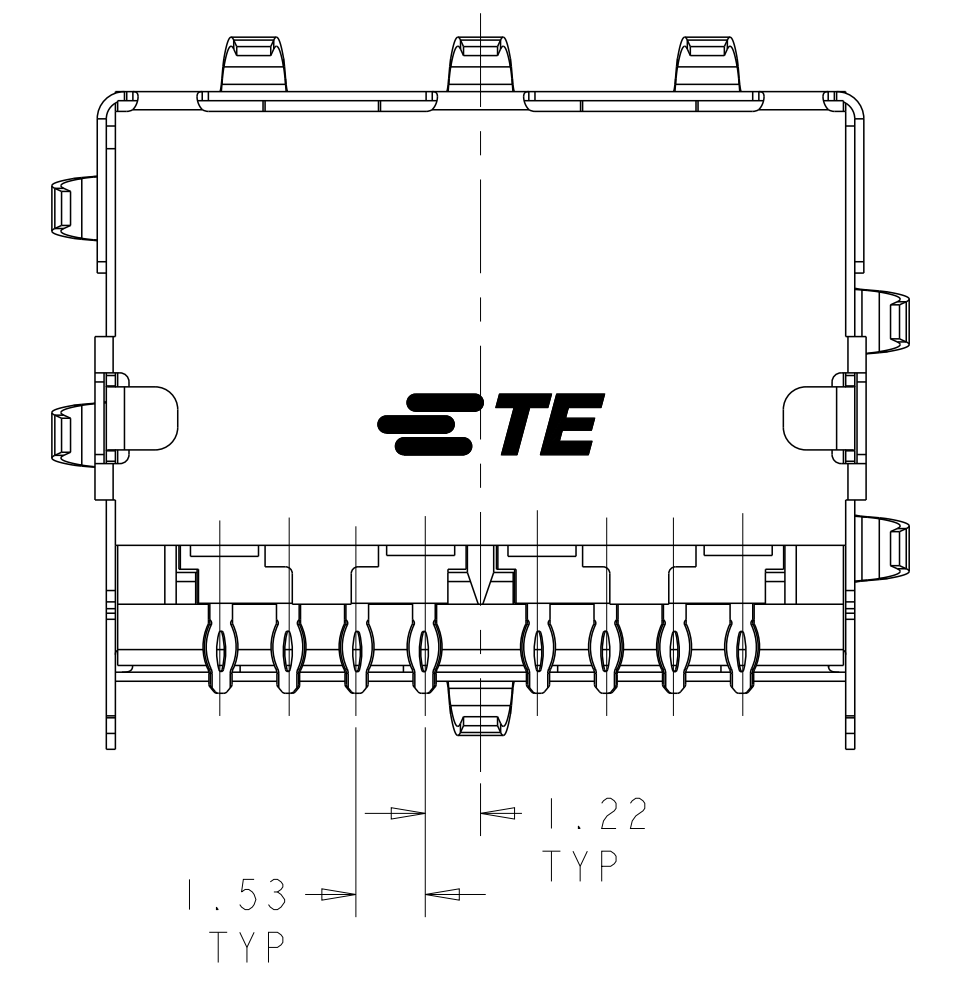
- MATERIAL:
 HOUSING: BLACK, THERMOPLASTIC, RATED UL 94V-0.
 SHIELD: COPPER ALLOY WITH NICKEL PLATING.
 CONTACTS: PHOSPHER BRONZE.
 CONTACT PLATING: 0.05um MIN GOLD OVER
 0.76um MIN PALLADIUM-NICKEL, AT MATING
 INTERFACE CONTACT AREA.
- DATE CODE SHOWN APPROXIMATE AREA.
- LIGHT PIPE MATERIAL: CLEAR POLYCARBONATE
- RECOMMENDED MIN PCB THICKNESS 1.5mm (.062").
- DATUM AND BASIC DIMENSION ESTABLISHED BY CUSTOMER
- FOR HOLE SIZE AND PLATINGS, SEE SHEET 3.
- ISOLATION VOLTAGE: 2250VDC(MAX) FOR 60 SECONDS WITH
 A RISE TIME OF 500V/SEC.
- RECOMMENDED SMT LED MANUFACTURERS AND PN:
 EVERLIGHT P/N: 18-225/R6G6C-A01/3T OR
 PARALIGHT P/N: L-C185KFKGWT



SCALE 6:1



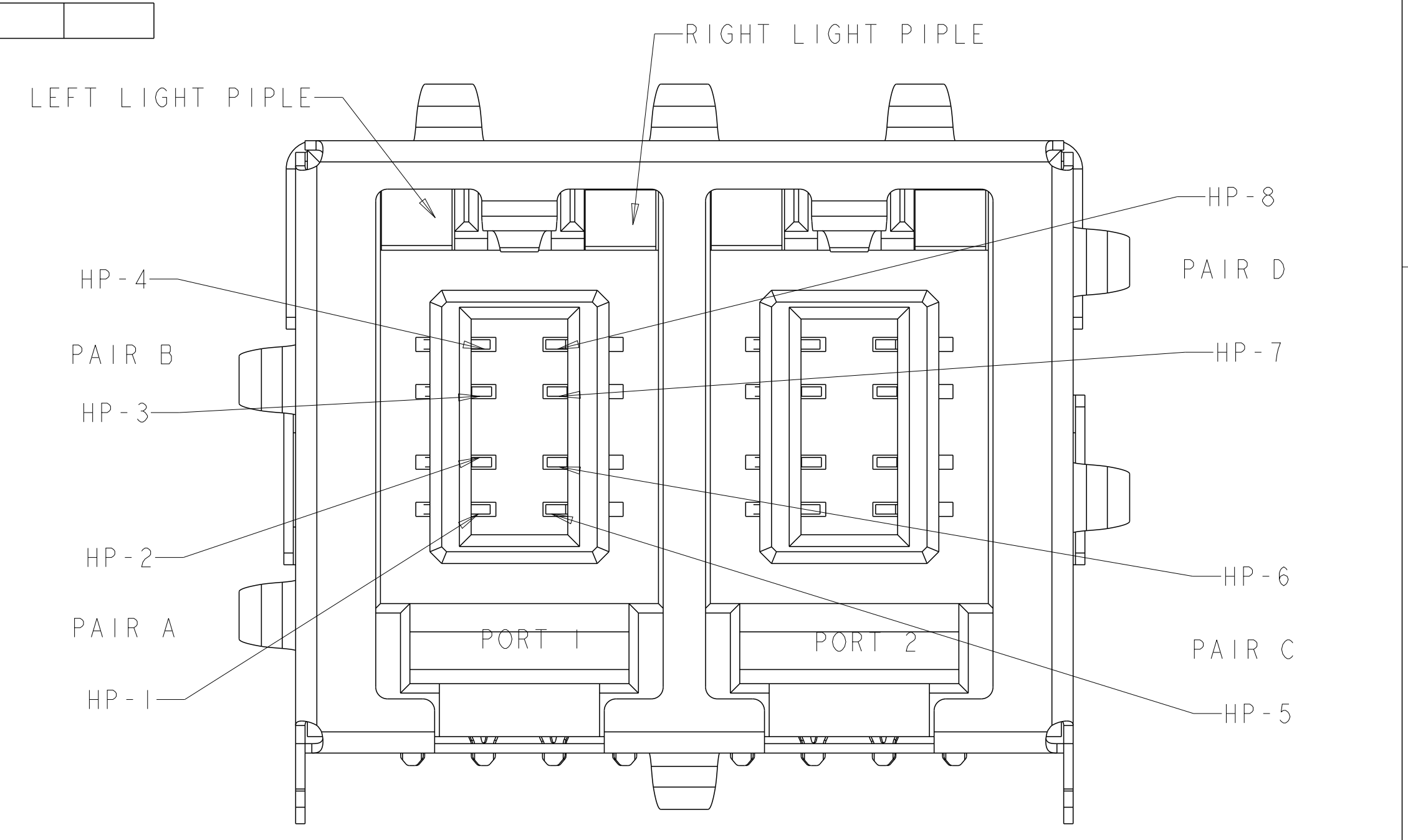
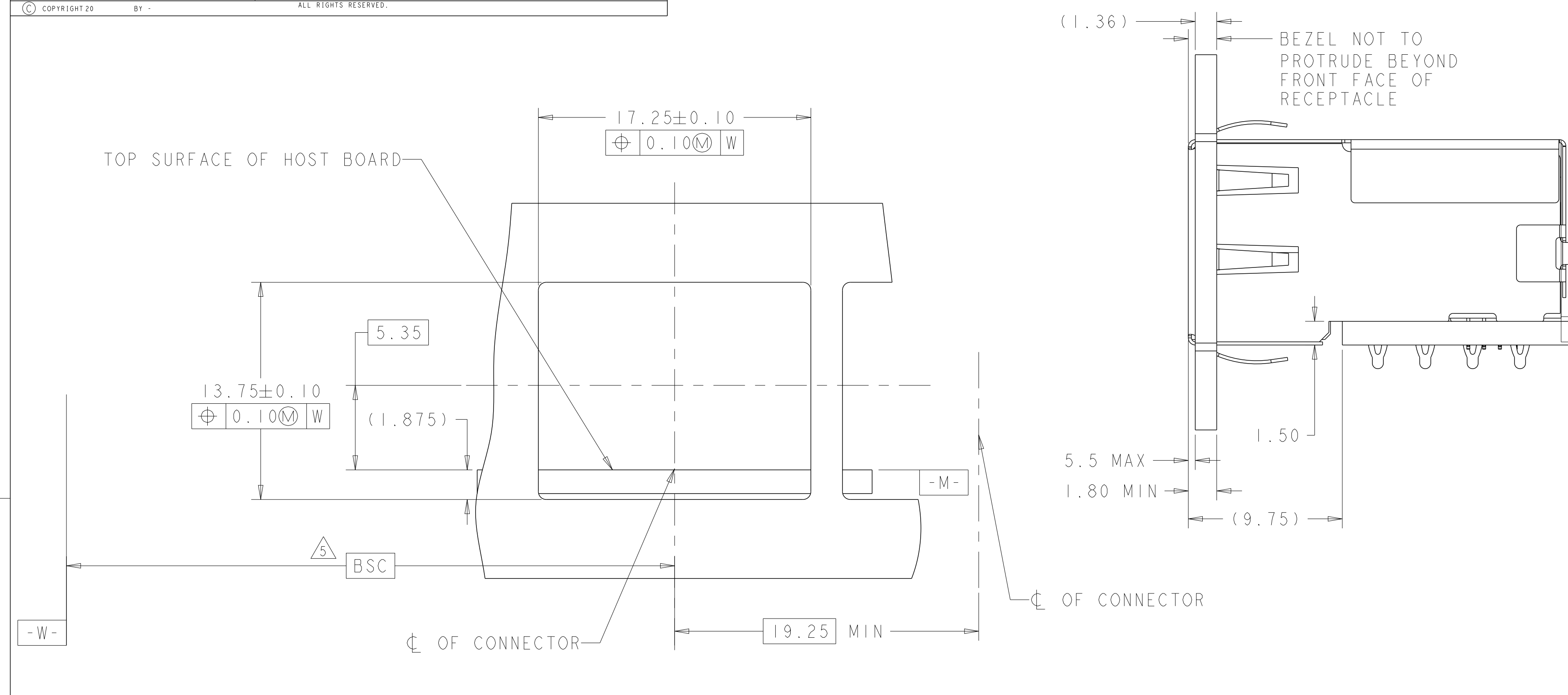
SCALE 6:1



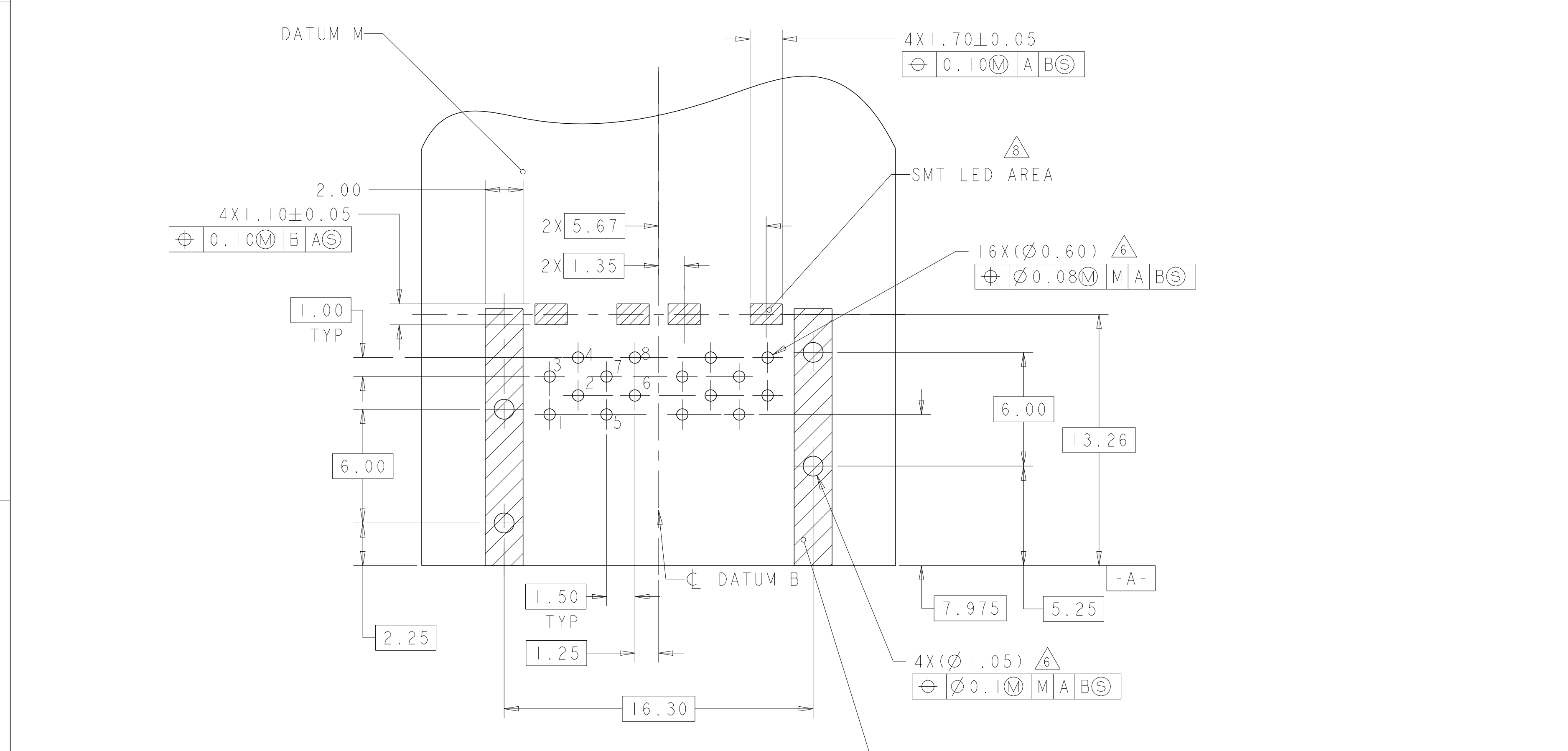
2170129-1 P/N

THIS DRAWING IS A CONTROLLED DOCUMENT.		DWN: D_ZHU 15MAY2011	2170129-1 P/N	
DIMENSIONS:		CHK: MANOJIAN_W 15MAY2011	TE Connectivity NAME: RECEPTACLE ASSEMBLY 1X2 OFFSET, NON MAGNETICS RJ POINT FIVE	
TOLERANCES UNLESS OTHERWISE SPECIFIED:		APVD: MANOJIAN_W 15MAY2011		
mm	0 PLC ±	PRODUCT SPEC	SIZE: CAGE CODE DRAWING NO	
	1 PLC ±0.13	APPLICATION SPEC	RESTRICTED TO	
	2 PLC ±	108-60097	A100779C=2170129	
	3 PLC ±	114-60014	SCALE 2:1 SHEET 1 OF 3 REV B1	
	4 PLC ±	WEIGHT		
	ANGLES ±2°	FINISH		
MATERIAL		Customer Drawing		

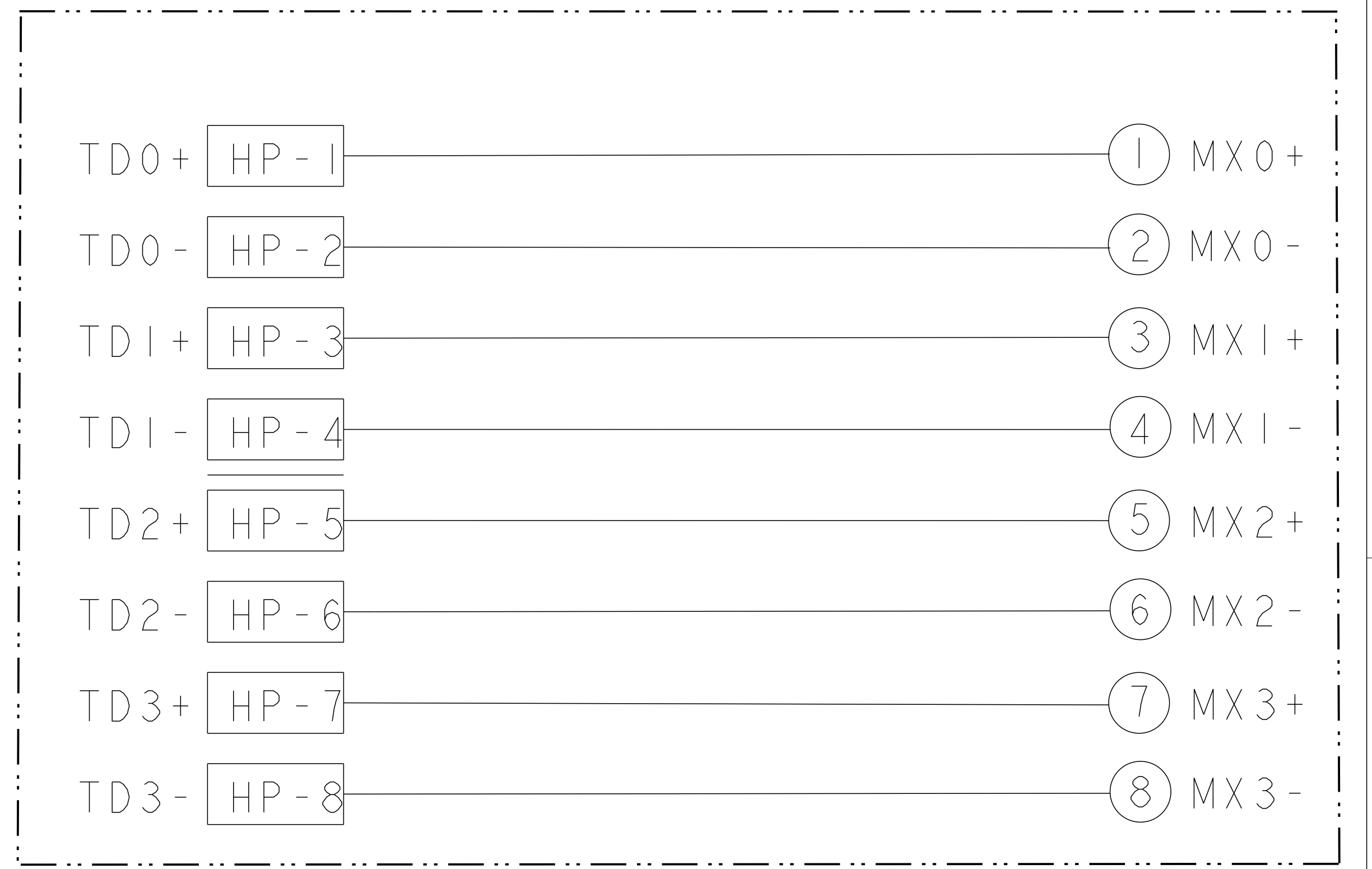
LOC	DIST	REVISIONS			
P	LTN	DESCRIPTION	DATE	DMN	APVD
AG	00	SEE SHEET 1			



SCALE 10:1

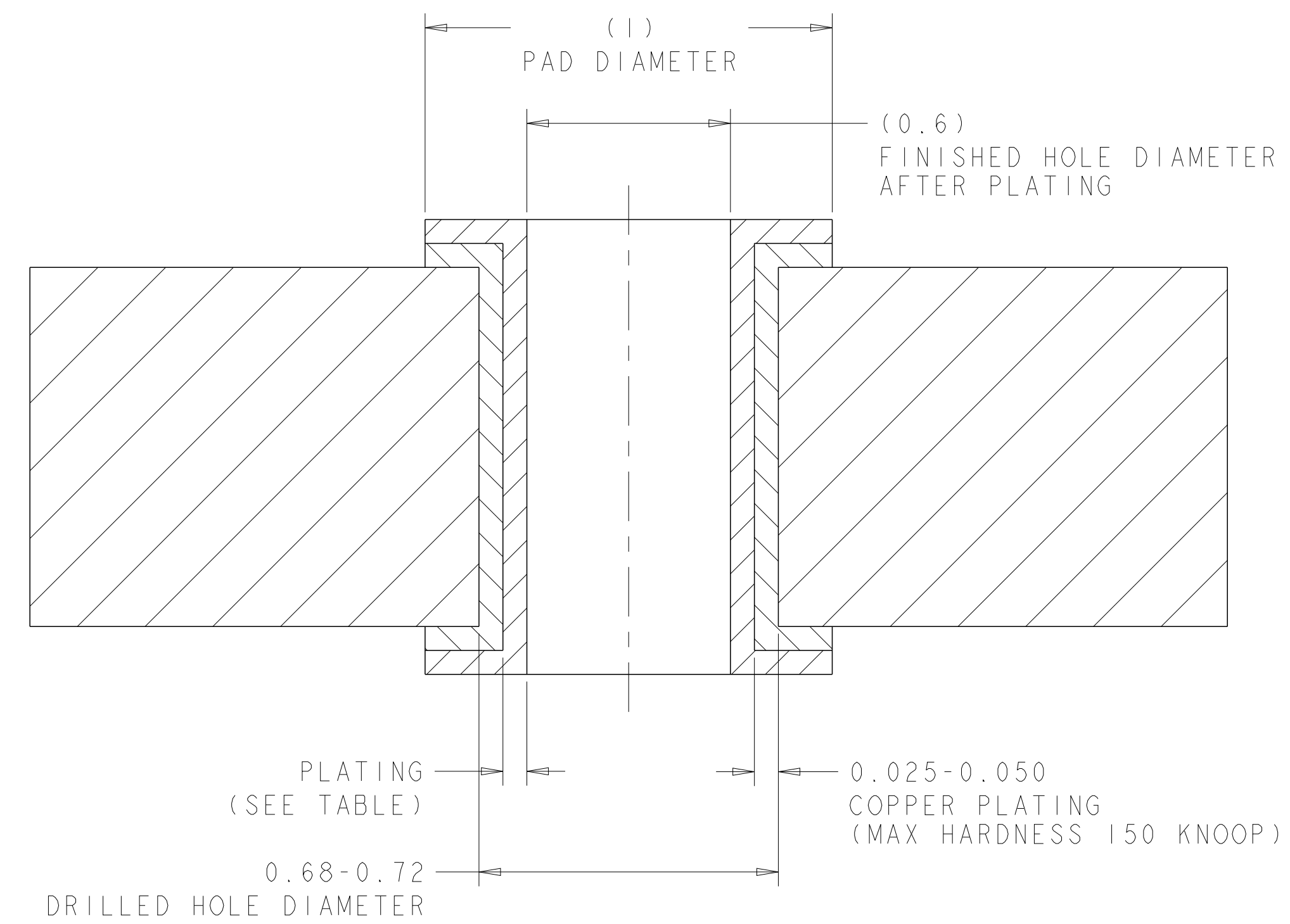


RECOMMENDED PCB LAYOUT VIEWED FROM COMPONENT SIDE
 SCALE 6:1

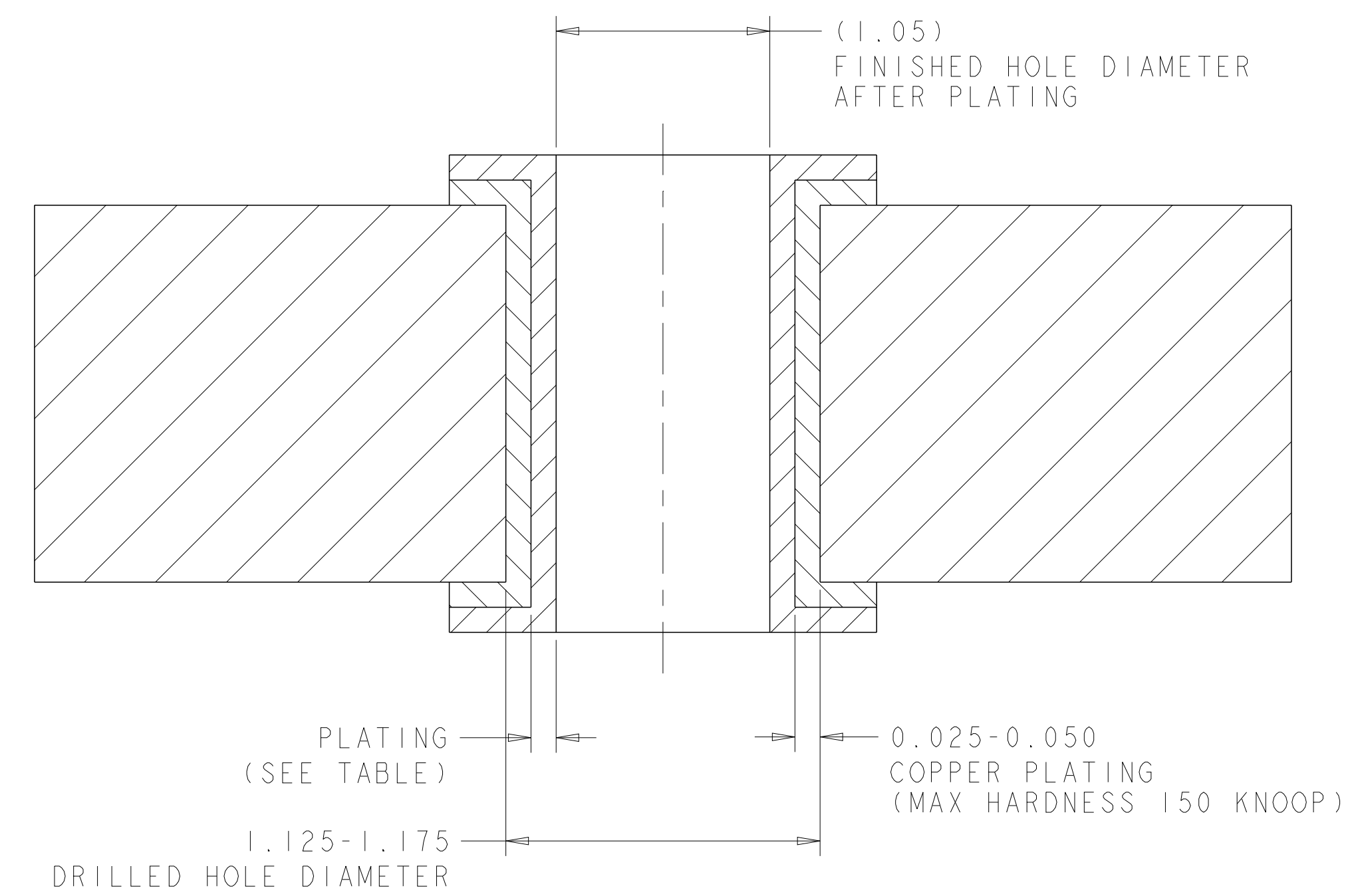


THIS DRAWING IS A CONTROLLED DOCUMENT.		DMN: D_ZHU 15MAY2011	TE Connectivity NAME: RECEPTACLE ASSEMBLY 1X2 OFFSET, NON MAGNETICS RJ POINT FIVE PRODUCT SPEC: 108-60097 APPLICATION SPEC: 114-60014 WEIGHT: - Customer Drawing
DIMENSIONS: mm		CHK: MANOJAN.W 15MAY2011	
TOLERANCES UNLESS OTHERWISE SPECIFIED:		APVD: MANOJAN.W 15MAY2011	
0 PLC ± 1 PLC ±0.13 2 PLC ± 3 PLC ± 4 PLC ± ANGLES ±2° FINISH		SIZE: A1 CAGE CODE: 100779 DRAWING NO: C=2170129 SHEET 2 OF 3 REV B1	

LOC	DIST	REVISIONS			
P	LTN	DESCRIPTION	DATE	DMN	APVD
AG	00	SEE SHEET 1	-	-	-



**RECOMMENDED HOLE DIMENSIONS
FOR SIGNAL CONTACTS**



**RECOMMENDED HOLE DIMENSIONS
FOR SHIELD PINS**

THICKNESS	PLATING
0.004-0.010	HOT AIR SOLDER LEVELING (HASL) TIN-LEAD (Sn Pb)
0.0005-0.001	IMMERSION TIN (Sn)
0.0002-0.0005	ORGANIC SOLDERABILITY PRESERVATIVE (OSP)
0.0001-0.0005 Au, 0.004-0.0076 Ni	IMMERSION GOLD (Au) OVER NICKEL (Ni) (ENIG)
0.010-0.025	TIN LEAD PLATING (Sn Pb)
0.0001-0.00015	IMMERSION SILVER (Ag)

THIS DRAWING IS A CONTROLLED DOCUMENT.

DMN: D. ZHU 15MAY2011
 CHK: MANOJAN. W 15MAY2011
 APVD: MANOJAN. W 15MAY2011

STE TE Connectivity

NAME: RECEPTACLE ASSEMBLY 1X2 OFFSET, NON MAGNETICS RJ POINT FIVE

PRODUCT SPEC: 108-60097
 APPLICATION SPEC: 114-60014

SIZE: A1
 CAGE CODE: 00779
 DRAWING NO: 2170129

RESTRICTED TO: -
 WEIGHT: -
 Customer Drawing

SCALE: 2:1
 SHEET: 3 OF 3
 REV: B1

4805 (3/11)