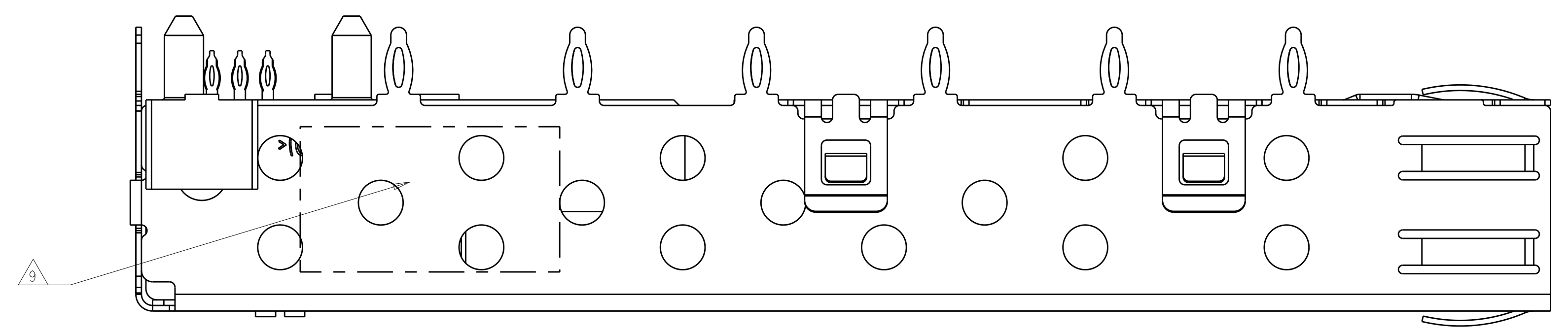
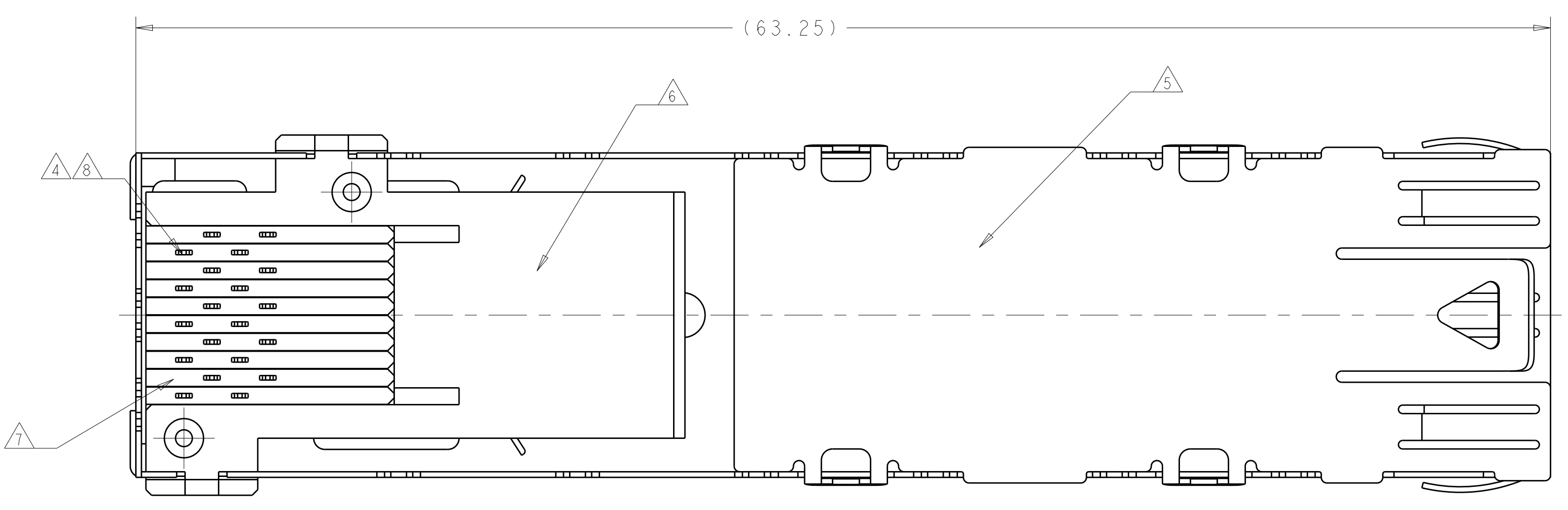
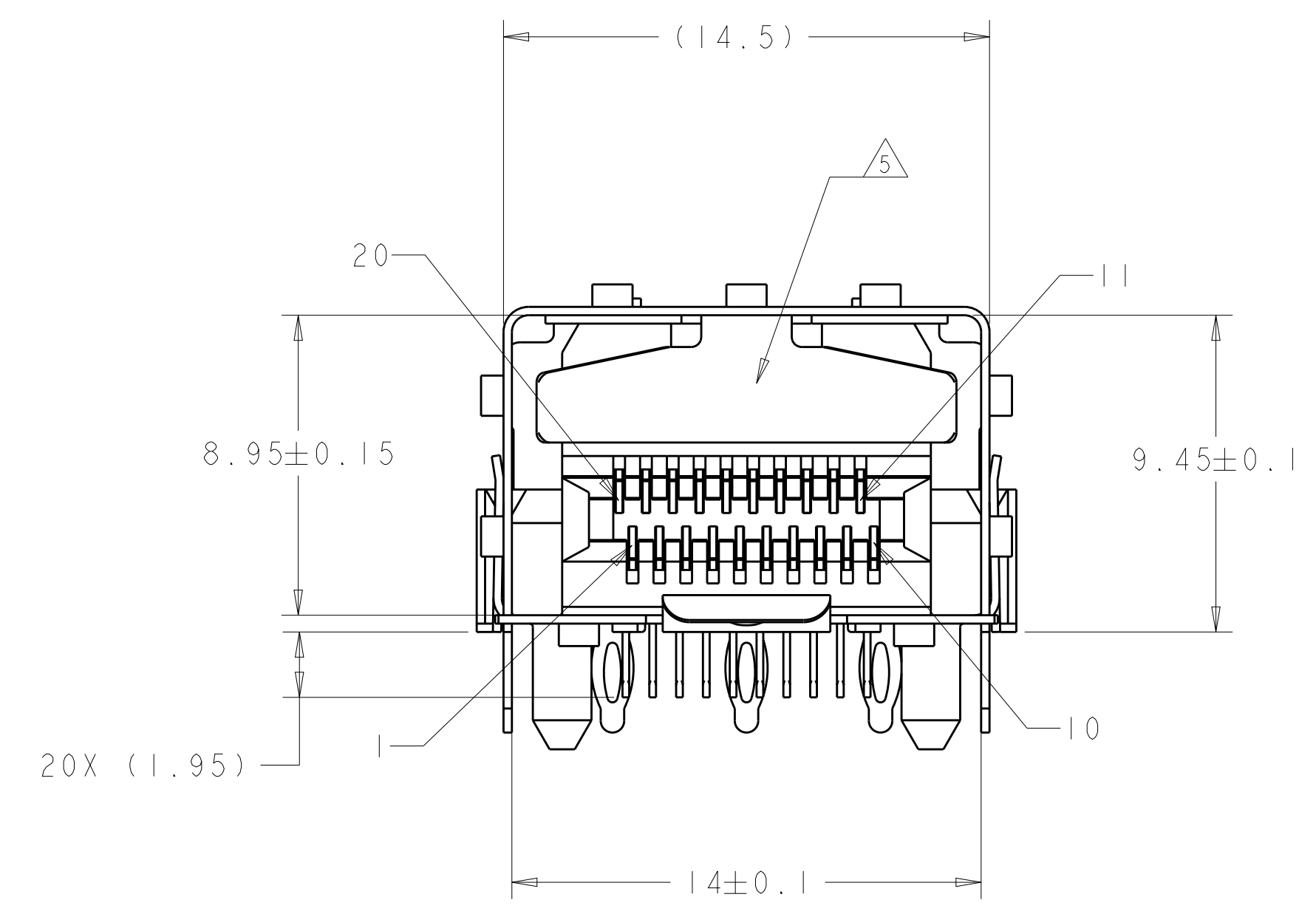
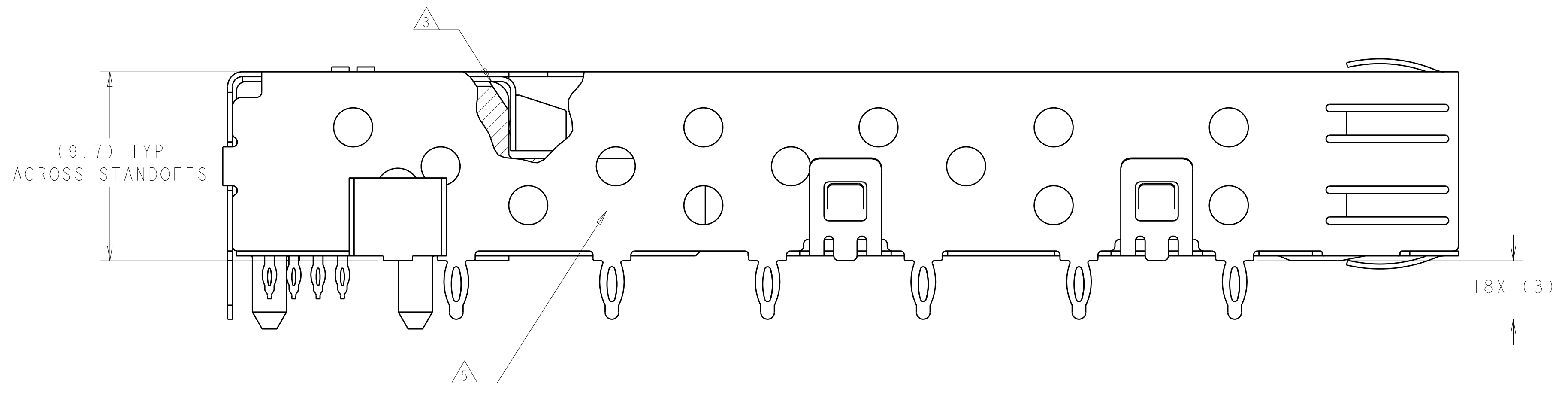
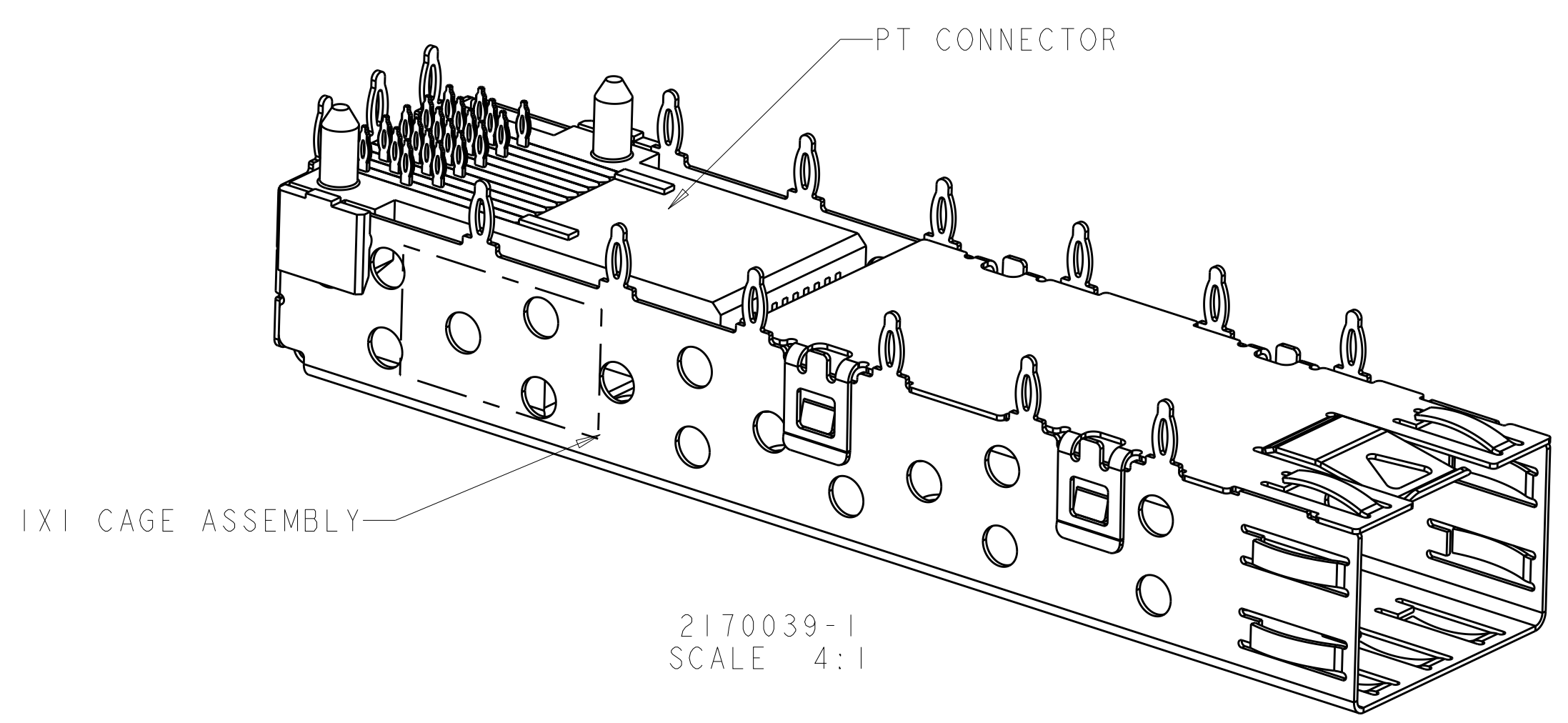


LOC		DIST		REVISIONS			
ES	00	P	LTN	DESCRIPTION	DATE	DMN	APVD
		A		INITIAL RELEASE	26JUL2011	JY	CW
		B		REVISED PER ECO-14-000886	20FEB2014	JW	SH



- ① DATUM AND BASIC DIMENSION TO BE DETERMINED BY CUSTOMER.
- ② INTERPRETATION OF DATUM REFERENCE FRAME IN ACCORDANCE WITH SECT 4.4.1.1 OF ASME Y14.5M-1994.
- ③ TOP OF PT CONNECTOR TO BE 0-0.15 FROM INSIDE SURFACE OF CAGE.
- ④ COPPER ALLOY.
- ⑤ NICKEL SILVER ALLOY (NO PLATING).
- ⑥ LCP, HIGH TEMPERATURE, UL 94V-0 RATED, BLACK.
- ⑦ POLYESTER, UL 94V-0 RATED, BLACK.
- ⑧ CONTACT MATING AREA: SURFACE TREATMENT OVER 0.76um MIN GOLD PER ASTM B 488 OVER 1.27um MIN NICKEL PER QQ-N-290. NEEDLE EYE: 1.25um MIN TIN PER ASTM B 545 OVER 1.25um MIN NICKEL PER QQ-N-290. REMAINDER OF CONTACT: 0.76um MIN NICKEL PER QQ-N-290.
- ⑨ DATE CODE AND PART NUMBER IN APPROXIMATE LOCATION SHOWN

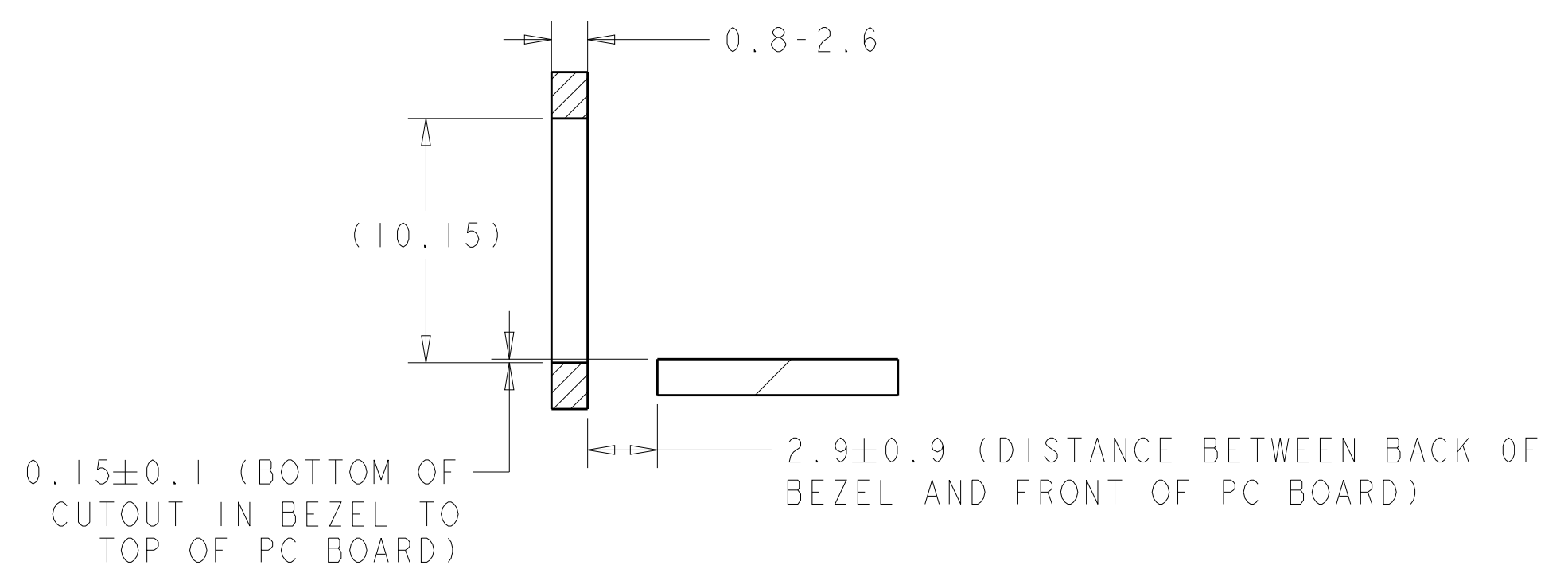
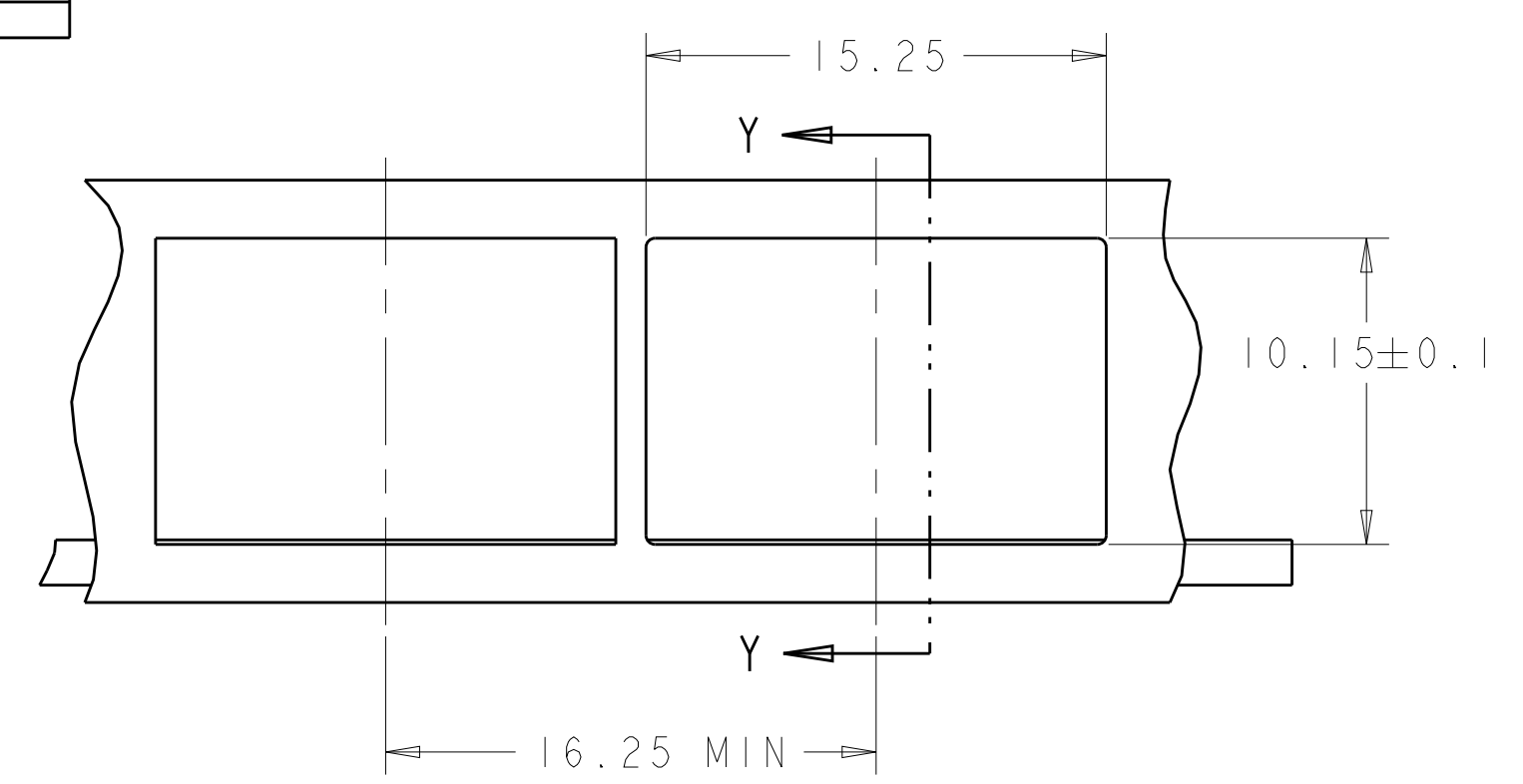
2170039-1  
PART NUMBER

THIS DRAWING IS A CONTROLLED DOCUMENT.		DMN Jason Yang 06JAN2011	TE Connectivity
DIMENSIONS: mm		CHK Wang Manqian 06JAN2011	
TOLERANCES UNLESS OTHERWISE SPECIFIED:		APVD Wang Manqian 06JAN2010	NAME CAGE AND PT CONNECTOR ASSEMBLY, 1x1, PRESS FIT, SFP
0 PLC ±	1 PLC ±0.1	PRODUCT SPEC 108-2161	SIZE CAGE CODE DRAWING NO. A100779C=2170039
2 PLC ±	3 PLC ±	APPLICATION SPEC 114-13121	RESTRICTED TO
4 PLC ±	ANGLES ±	WEIGHT	SCALE 6:1 SHEET 1 OF 3 REV B
MATERIAL SEE NOTE	FINISH SEE NOTE	CUSTOMER DRAWING	

LOC	DIST	REV	DATE	BY	APPD
ES	00				

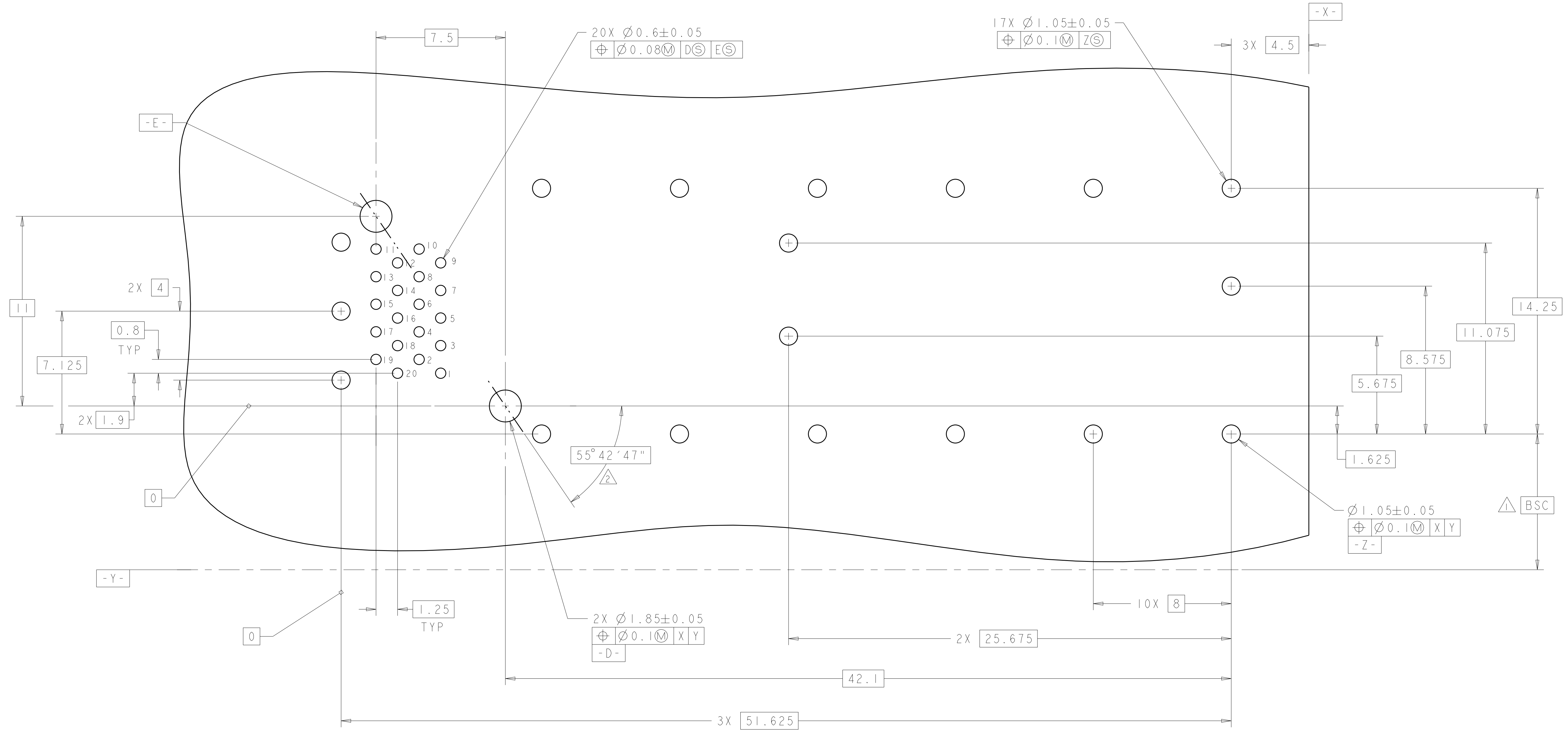
  

REVISIONS			
NO.	DESCRIPTION	DATE	BY
-	SEE SHEET 1	-	-



RECOMMENDED BEZEL CUTOUT AND  
 PC BOARD AND BEZEL POSITION  
 SCALE 4:1

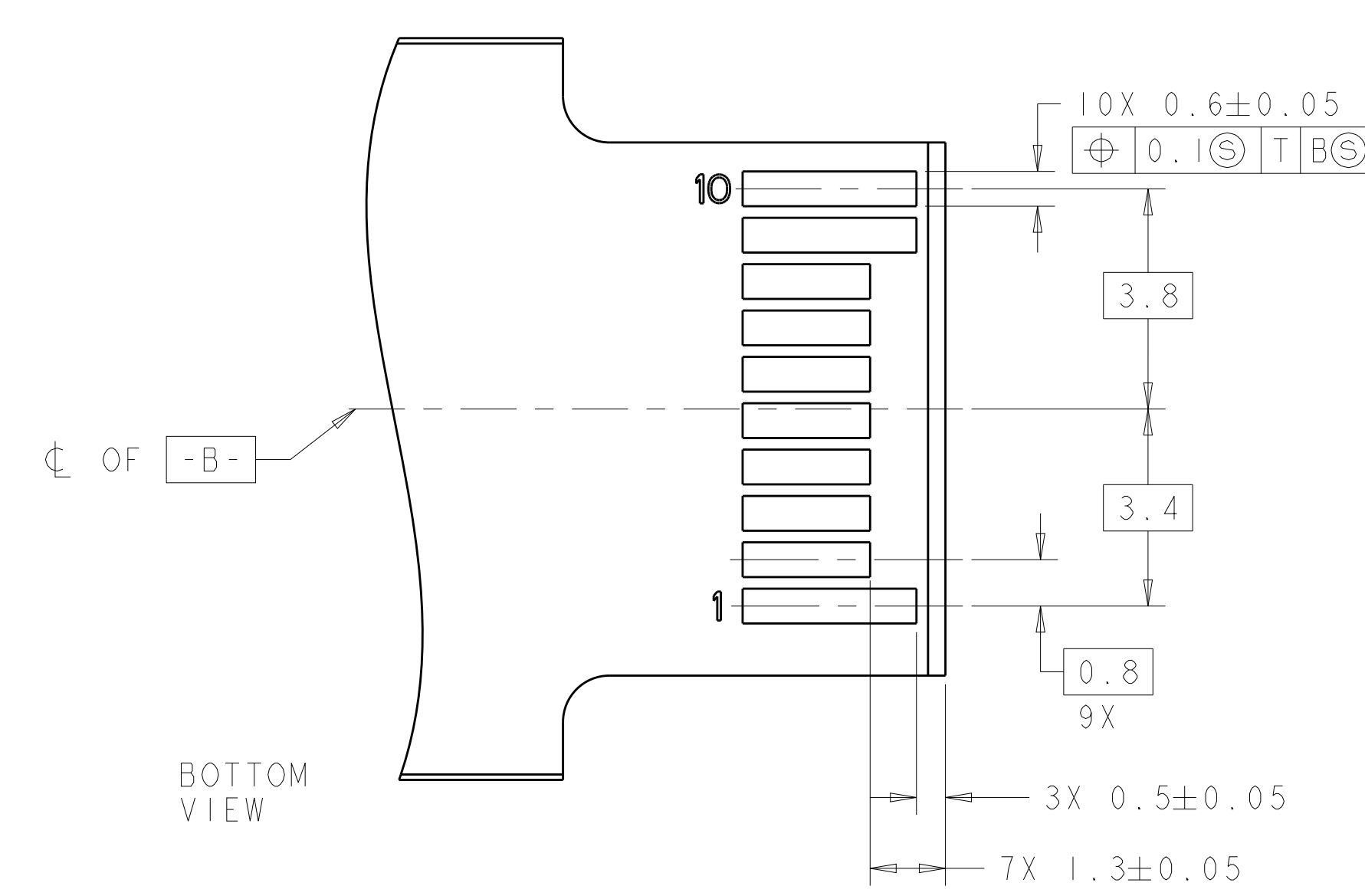
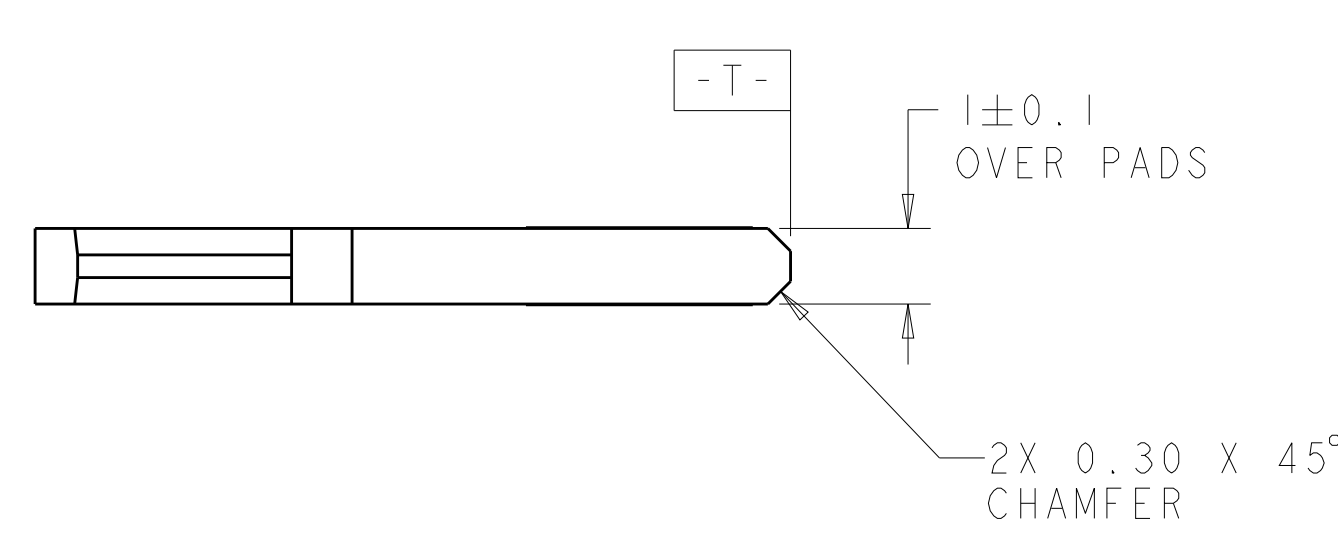
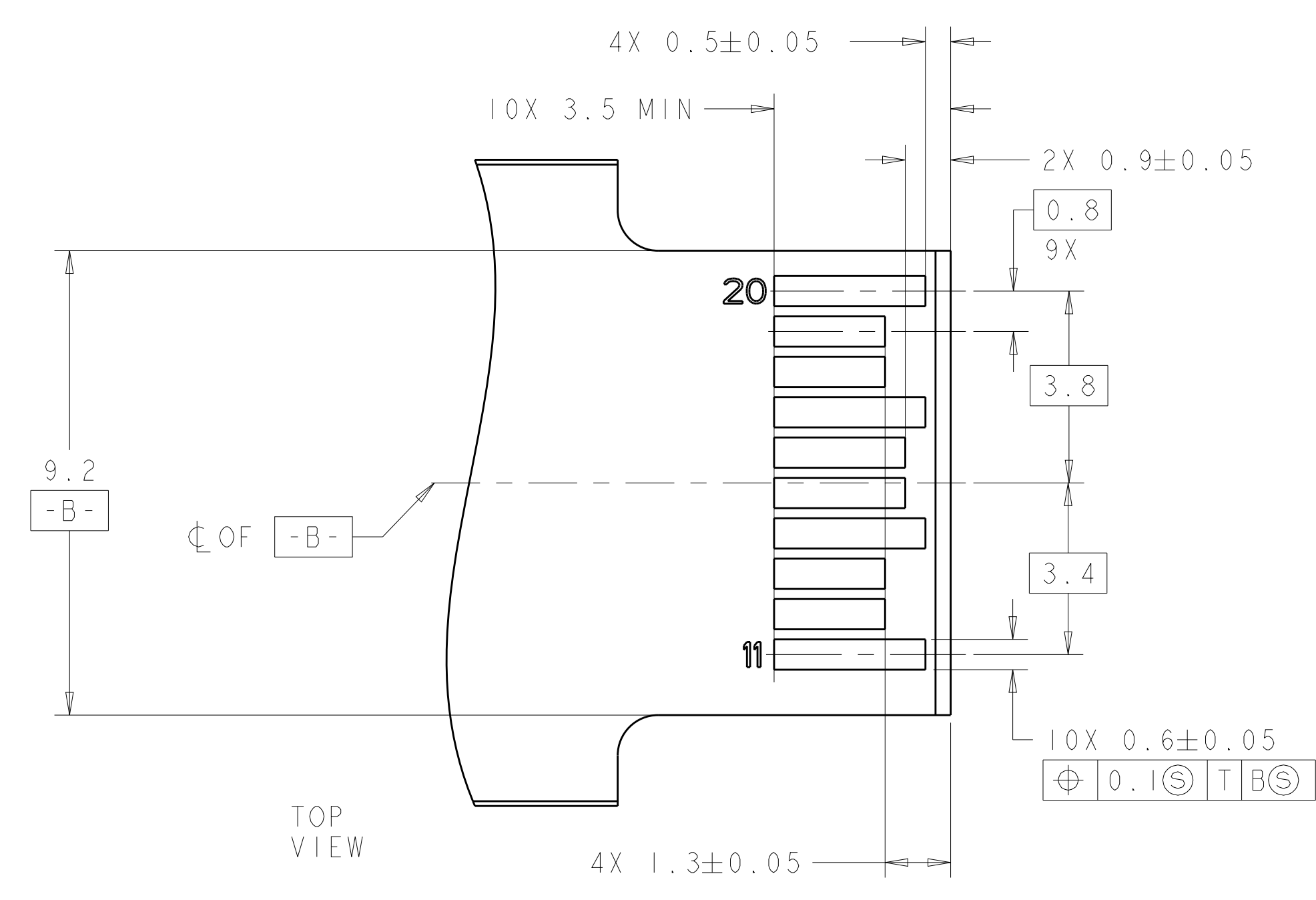
SECTION Y-Y



SFP HOST BOARD  
 MECHANICAL LAYOUT  
 SCALE 8:1

THIS DRAWING IS A CONTROLLED DOCUMENT.		DWN Jason Yang 06JAN2011 CHK Wang Manliang 06JAN2011 APVD Wang Manliang 06JAN2010 PRODUCT SPEC 108-2161 APPLICATION SPEC 114-13121 WEIGHT - CUSTOMER DRAWING	<b>STE</b> TE Connectivity NAME CAGE AND PT CONNECTOR ASSEMBLY, 1x1, PRESS FIT, SFP SIZE CAGE CODE DRAWING NO. A100779C=2170039 RESTRICTED TO - SCALE 2:1 SHEET 2 OF 3 REV B
DIMENSIONS: mm TOLERANCES UNLESS OTHERWISE SPECIFIED: 0 PLC ± 1 PLC ±0.1 2 PLC ± 3 PLC ± 4 PLC ± ANGLES ± FINISH ±	SEE NOTE SEE NOTE		

LOC	DIST	REVISIONS			
P	LTN	DESCRIPTION	DATE	DMN	APVD
ES	00	SEE SHEET 1			



RECOMMENDED LAYOUT FOR  
MATING TRANSCEIVER PCB  
SCALE 10:1

THIS DRAWING IS A CONTROLLED DOCUMENT.		DMN Jason Yang 06JAN2011	TE Connectivity
DIMENSIONS: mm		CHK Wang Manqian 06JAN2011	
TOLERANCES UNLESS OTHERWISE SPECIFIED:		APVD Wang Manqian 06JAN2010	NAME CAGE AND PT CONNECTOR ASSEMBLY, 1x1, PRESS FIT, SFP
0 PLC ± 1 PLC ±0.1 2 PLC ± 3 PLC ± 4 PLC ± ANGLES ±		PRODUCT SPEC 108-2161	SIZE CAGE CODE DRAWING NO RESTRICTED TO
MATERIAL FINISH		APPLICATION SPEC 114-13121	A100779C=2170039
SEE NOTE		WEIGHT	CUSTOMER DRAWING
		SCALE 6:1	SHEET 3 OF 3 REV B