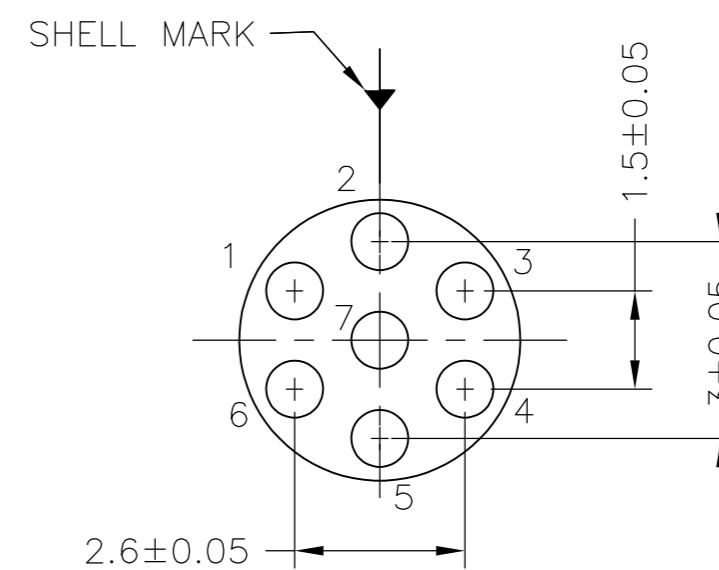
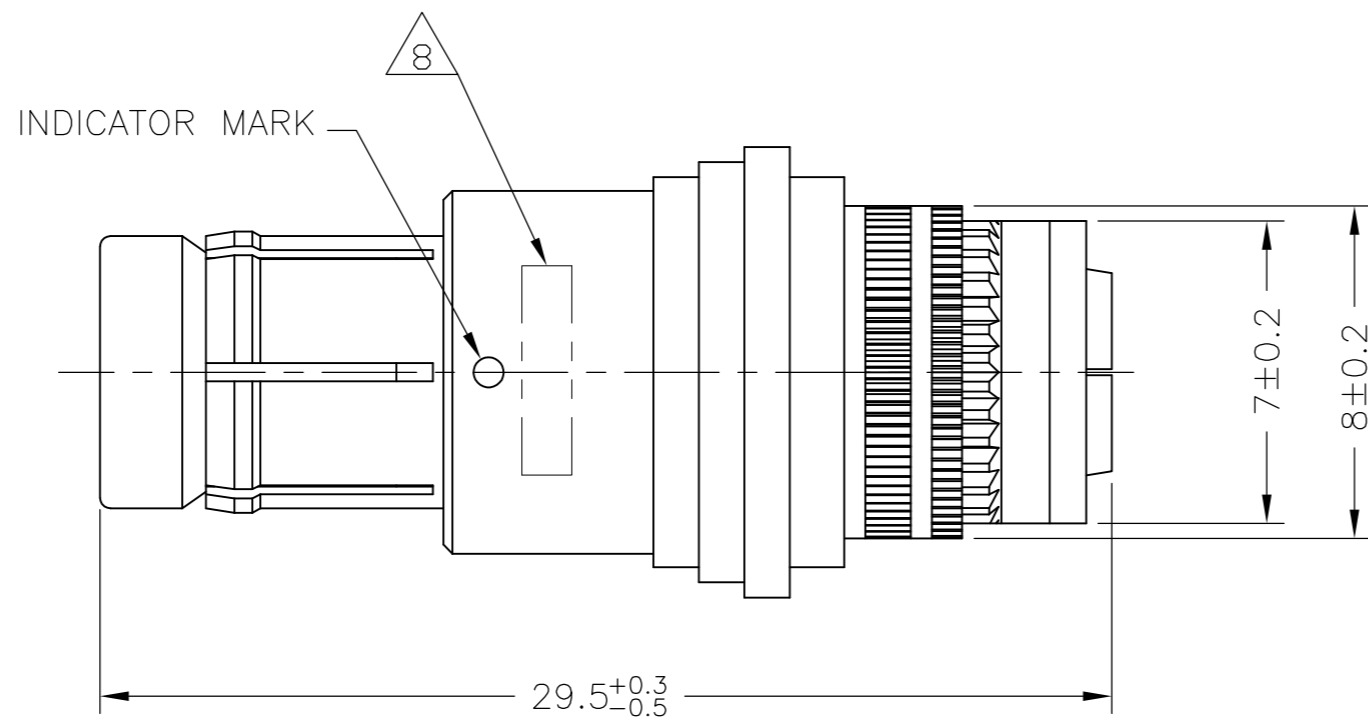
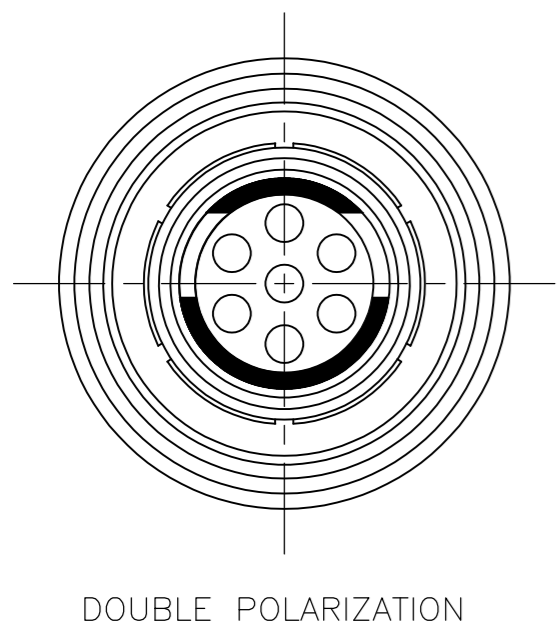
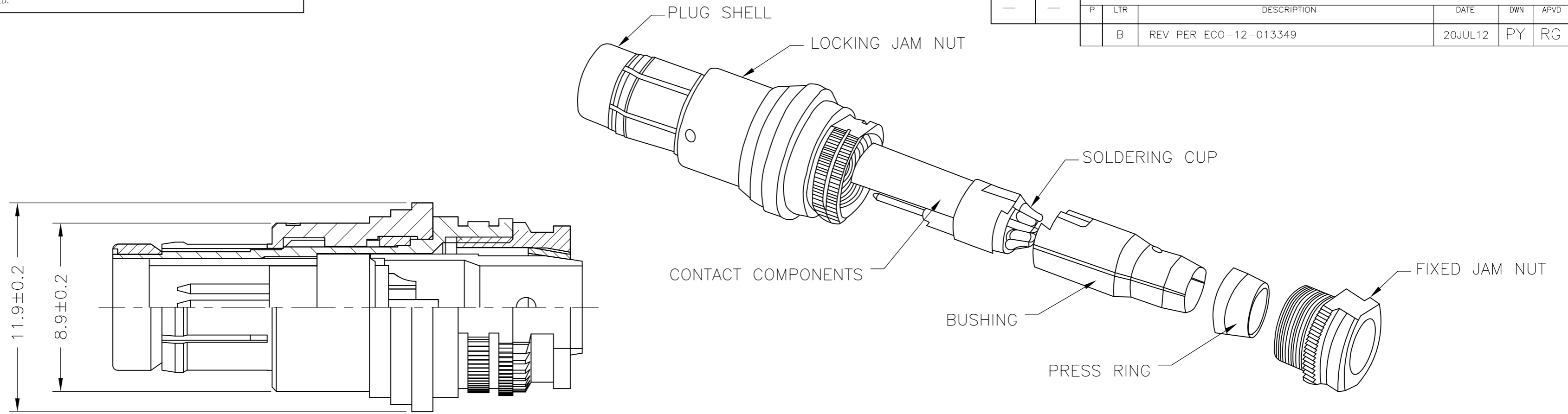


THIS DRAWING IS UNPUBLISHED. RELEASED FOR PUBLICATION  
 © COPYRIGHT - By - ALL RIGHTS RESERVED.

LOC		DIST		REVISIONS			
P	LTR	DESCRIPTION		DATE	DWN	APVD	
B		REV PER ECO-12-013349		20JUL12	PY	RG	



- 1. UNLESS OTHERWISE SPECIFIED DIMENSIONS TOLERANCE ARE ±0.20.
- 2. DWV RATING: 875VAC @ SEA LEVEL
- 3. WORKING TEMPERATURE: -55°C ~ +125°C

4 MATERIAL:  
 CONTACT : COPPER ALLOY  
 SHELL : COPPER ALLOY  
 INSULATOR : PEEK

5 FINISH  
 CONTACT: GOLD OVER NICKEL  
 SHELL : BLACK CHROMIUM

6. WIRE SIZE: 28 AWG MAX.

7. MATING STYLE - PUSH TO MATE; PULL TO UNLOCK

8 PART IS MARKED WITH THE TE PART NUMBER, CHINA, DATE CODE, AND LOT ID.

2	CHROMIUM-BLACK	DOUBLE	SOLDERING	1	2157947-1
KEYING	FINISH	POLARIZATION	TERMINATION	SHELL SIZE	TE PART NUMBER
THIS DRAWING IS A CONTROLLED DOCUMENT.		DWN C.C THOMAS 10APR2012	 TE Connectivity CIRCULAR HD PLUG WITH PIN, CONTACTS 7 POS.		
DIMENSIONS: mm		CHK R. GROSS 10APR2012			
TOLERANCES UNLESS OTHERWISE SPECIFIED:		APVD R. GROSS 10APR2012			
0 PLC ± - 1 PLC ± - 2 PLC ± 0.2 3 PLC ± - 4 PLC ± - ANGLES ± 3°		PRODUCT SPEC 108-127005			
MATERIAL	FINISH	WEIGHT	SIZE	CAGE CODE	DRAWING NO
4	5	-	A2	00779	C=2157947
CUSTOMER DRAWING			SCALE	SHEET	REV
			NTS	1 of 1	B